



350cc - 480cc
4-STROKE RACE EDITION



Beta
motorcycles



2019 OWNERS MANUAL



Rideability



RR 350-390-430-480 EFI

Thanks for your preference, and have a good time! This handbook contains the information you need to properly operate and maintain your motorcycle.

The data, specifications and images shown in this manual do not constitute an engagement on the part of BETAMOTOR S.p.A. BETAMOTOR reserves the right to make any changes and improvements to its models at any moment and without notice.

Code 031.44.052.00.00

IMPORTANT

We recommend you to check all the tightenings after the first one or two hours' ride over rough ground. Special attention should be paid to the following parts:

- rear sprocket
- ensure that the footrests are properly fixed
- front/rear brake levers/calipers/discs
- check that the plastics are properly fastened
- engine bolts
- shock absorber bolts/swingarm
- wheel hubs/spokes
- rear frame
- pipe connections
- tensioning the chain

IMPORTANT

In the event of interventions on the vehicle, contact Betamotor after-sales service.

CONTENTS	
Operating instructions.....	5
Symbols.....	5
Riding safety	6
CHAPTER 1 GENERAL INFORMATION	7
Vehicle identification data	8
Tools kit	8
Familiarizing with the vehicle.....	9
Specifications	10
Recommended lubricants and liquid	13
CHAPTER 2 OPERATION	15
Main parts	16
Digital rpm indicator operating instructions.....	20
Checks before and after use	30
Running in.....	30
Fuelling.....	31
Starting the engine	32
Engine shut-down	32
Vehicle preparation for use in heavy-duty conditions.....	33
CHAPTER 3 ADJUSTMENTS.....	35
Key to symbols.....	36
Brakes	36
Clutch.....	36
Adjustment of gas clearance.....	37
Idle adjustment	37
Handlebar adjustment	37
Adjusting fork	39
Shock absorber.....	40
Suspensions settings according to the weight of the rider	42
CHAPTER 4 CHECKS AND MAINTENANCE	43
Engine oil.....	44
Gearbox oil	46
Liquid coolant.....	47
Air filter	49
Spark plug	51
Front brake.....	52

Rear brake	55
Clutch control	58
Check and adjusting of steering play.....	60
Fork.....	61
Front wheel	61
Tyres.....	62
Rear suspension leverage.....	62
Chain	63
Headlight.....	65
Replacing the headlight bulbs.....	65
Tail light.....	65
Battery.....	66
Fuses	68
Cleaning the vehicle.....	69
Electrical connector maintenance	70
Prolonged inactivity.....	72
Scheduled maintenance vehicle	73
Tightening torque overview	75
CHAPTER 5 REMOVING AND INSTALLING SUPERSTRUCTURES	77
Removing and installing of the saddle.....	78
Removing and installing air filter cover panel.....	79
Removing and installing of the tank	80
CHAPTER 6 TROUBLESHOOTING	81
Troubleshooting	82

OPERATING INSTRUCTIONS

- The vehicle must be accompanied by: number-plate, registration document, tax disc and insurance.
- Do not sit on the vehicle when it is on its stand.
- Do not start the engine in closed places.

WARNING

Any modifications and tampering with the vehicle during the warranty period exempt the manufacturer from all responsibility and invalidate warranty.

SYMBOLS



SAFETY/ATTENTION

Failure to respect information marked with this symbol can entail a personal hazard.



INTEGRITY OF THE VEHICLE

Failure to respect information marked with this symbol can entail serious damage to the vehicle and termination of the warranty.



FLAMMABLE LIQUID HAZARD



Read the use and maintenance manual carefully.



MANDATORY TO WEAR PROTECTIVE CLOTHING

Use of the vehicle is subject to wearing specific protective clothing and safety footwear.



PROTECTIVE GLOVES MANDATORY

To perform the operations described, it is mandatory to wear protective gloves.



FORBIDDEN TO USE NAKED FLAMES OR POSSIBLE UNCONTROLLED IGNITION SOURCES



NO SMOKING



DO NOT USE MOBILE PHONE



CORROSIVE SUBSTANCES HAZARD

Liquids marked with this symbol are highly corrosive: handle with care



POISONING HAZARD

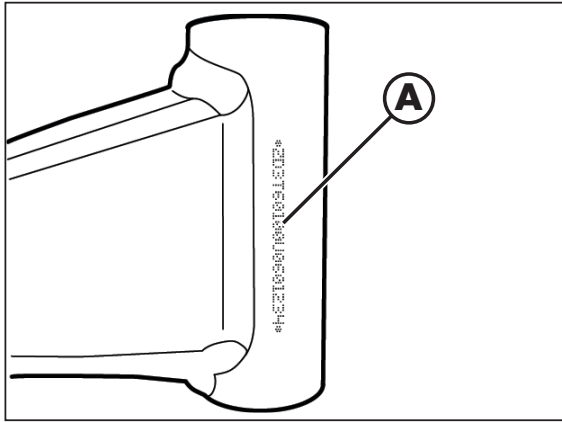
RIDING SAFETY

- Observe the Highway Code.
- Always wear approved personal protective equipment.
- Always keep the crash helmet visor clean.
- Do not keep sharp or brittle objects in your pockets while riding.
- Properly adjust the rearview mirrors.
- Always ride in a seated position, with both hands on the handlebars and both feet on the footrests.
- Never ride abreast with other vehicles.
- Do not tow and avoid being towed by other vehicles.
- Always keep a safe distance from other vehicles.
- Do not start off while the vehicle is on its stand.
- Avoid swaying and wheelies as they are extremely dangerous for your own and other people's safety as well as for your vehicle.
- Always apply both brakes on dry roads with no gravel and sand. Using one brake may be dangerous and cause uncontrolled skidding.
- To reduce the braking distance, always apply both brakes.
- On wet roads and in off-road riding, drive with care and at moderate speed. Take special care in applying the brakes.

CHAPTER 1 GENERAL INFORMATION

CONTENTS

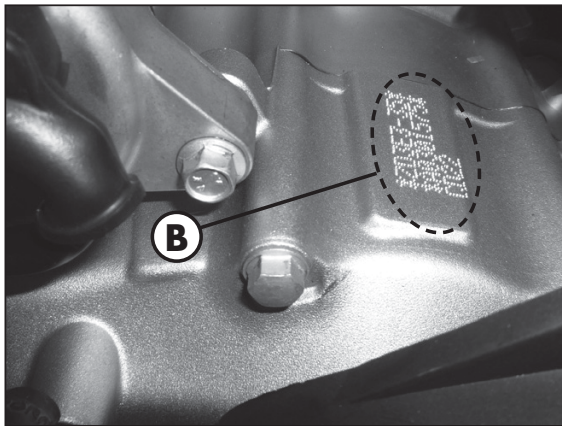
Vehicle identification data	8
Frame identification	8
Engine identification	8
Tools kit	8
Familiarizing with the vehicle.....	9
Main parts.....	9
Specifications	10
Weight.....	10
Dimensions	10
Tyres	10
Capacities	10
Front suspension	11
Rear suspension	11
Front brake	11
Rear brake	11
Engine	12
Recommended lubricants and liquid	13



VEHICLE IDENTIFICATION DATA

FRAME IDENTIFICATION

Frame identification data **A** are stamped on the right side of the steering head tube.



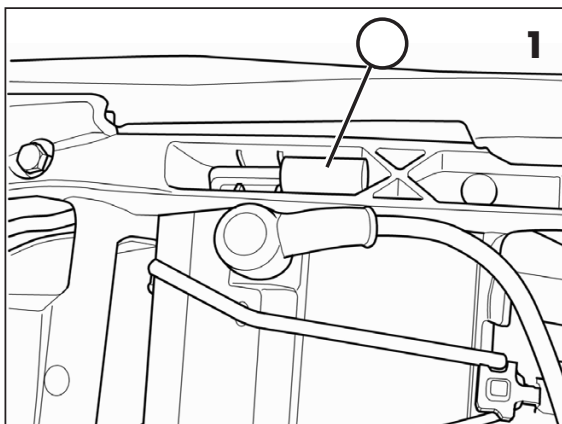
ENGINE IDENTIFICATION

Engine identification data **B** are stamped in the area shown in the figure.



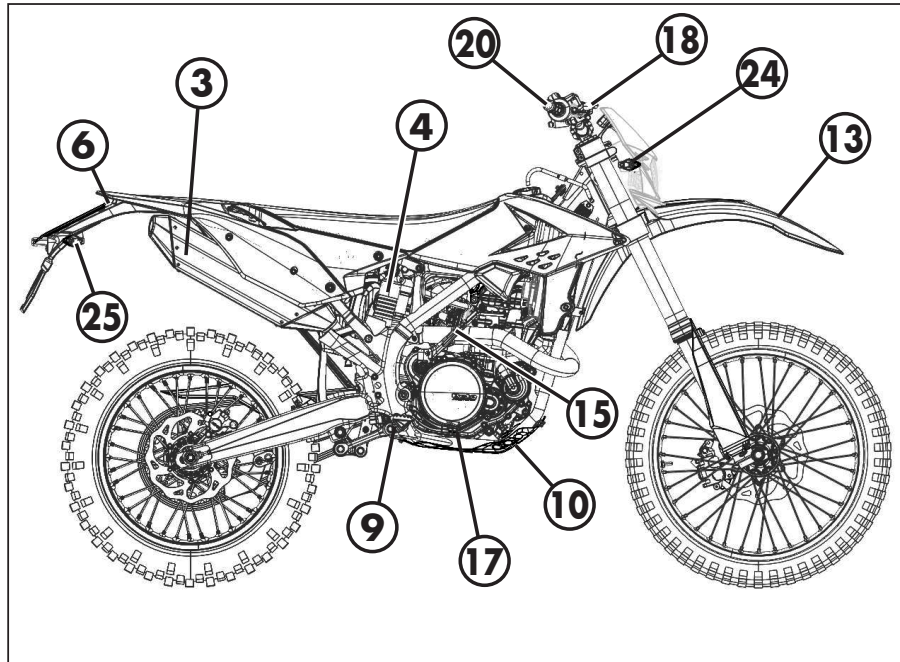
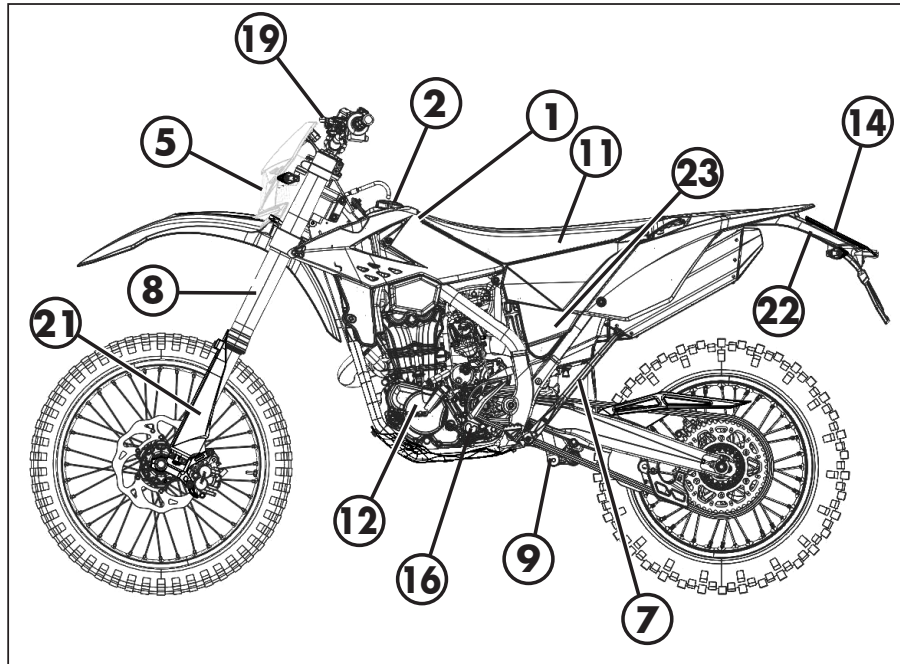
TOOLS KIT

The following items are supplied as standard: operation, maintenance manual, tool kit.



The hex key **1** and its socket wrench (8 mm) are found inside the battery compartment. Remove the seat to reach them (page 78).

FAMILIARIZING WITH THE VEHICLE



MAIN PARTS

- | | | |
|-------------------------|-----------------------------------|------------------------|
| 1 - Fuel tank | 10 - Lower bumper
(Bumper kit) | 18 - Front brake lever |
| 2 - Tank cap | 11 - Saddle | 19 - Clutch lever |
| 3 - Silencer | 12 - Engine | 20 - Throttle |
| 4 - Rear shock absorber | 13 - Front mudguard | 21 - Fork covers |
| 5 - Headlight | 14 - Number-plate holder | 22 - Rear mudguard |
| 6 - Rear light | 15 - Kick-start | 23 - Cover air filter |
| 7 - Side stand | 16 - Gear lever | 24 - Front indicators |
| 8 - Fork | 17 - Rear brake lever | 25 - Rear indicators |
| 9 - Rider's footrests | | |

SPECIFICATIONS

WEIGHT

Weight in running order with full fuel and optional

Version	Total [kg]	Front [kg]	Rear [kg]
RR 350 - RR 390	126,5	61,8	64,7
RR 430 - RR 480	127,5	62	65,5

DIMENSIONS

maximum length (with plate holder)	2270 mm
maximum width	807 mm
overall height	1270 mm
wheelbase.....	1490 mm
saddle height.....	940 mm
ground clearance.....	320 mm
footrest height.....	413 mm

TYRES

Dimensions		Pressure [Bar]	
Front tyre	Rear tyre	Front tyre	Rear tyre
90/90-21	140/80-18	1,5 (road use)	1,8 (road use)
		1 (off-road use)	1 (off-road use)

front rim	21x1,6 - 36 holes
rear rim	18x2,15 - 36 holes

CAPACITIES

fuel tank.....	8 liter
including reserve.....	2 liter
coolant circuit.....	1,3 liter
engine oil.....	750 ml following normal maintenance work
.....	800 ml following a complete engine review
gear oil.....	750 ml following normal maintenance work
.....	800 ml following a complete engine review

FRONT SUSPENSION

Hydraulic upside-down fork (shafts Ø48 mm) with open cartridge	
Spring	K 4,8
Oil type	FUCHS SAE 5W
Oil quantity	510 g
Compression clicks (from completely closed).....	12
Rebound clicks (from completely closed).....	12
Spring preload clicks (from completely open).....	0

REAR SUSPENSION

Single shock absorber with compound lever	
Spring	K 5,4
Static sag load (see page 41).....	35 mm
Compression clicks, high speeds (from completely closed).....	20
Compression clicks, low speeds (from completely closed).....	22
Rebound clicks (from completely closed).....	15
Rear wheel travel	290 mm

FRONT BRAKE

Ø 260 mm disc and dual-piston floating caliper

REAR BRAKE

Ø240 mm disc and single-piston floating caliper

1

ENGINE

Version	RR 350	RR 390	RR 430	RR 480
Type	Single-cylinder, 4-stroke			
Bore x stroke [mm]	88x57,4	88x63,4	95x60,8	100x60,8
Displacement [cm ³]	349,1	386	431	478
Compression ratio	13,19:1	12,5:1	12,3:1	11,9:1
CO ₂ [g/km] * #	93	94	94	102
Fuel consumption [l/100km] * #	3,842	3,896	3,887	4,219

* Only valid for EUROPA version

WMTc cycle related data, for class L vehicles

Fuel system.....electronic injection, double injector

Cooling system forced liquid circulation by pump

Spark plug NGK LKAR 8A - 9

Clutch..... wet, multidisc

Transmission..... 6-speed with front claw clutch

Version	RR 350	RR 390	RR 430	RR 480
Primary drive	28/76	28/76	31/72	31/72
Gear ratio 1 st gear	12/31	12/31	12/31	12/31
Gear ratio 2 nd gear	15/28	15/28	15/28	15/28
Gear ratio 3 rd gear	19/28	19/28	19/28	19/28
Gear ratio 4 th gear	20/24	20/24	20/24	20/24
Gear ratio 5 th gear	27/27	27/27	27/27	27/27
Gear ratio 6 th gear	28/24	28/24	28/24	28/24
Final drive	15/45 * 13/50	15/45 * 13/49	15/45 * 13/48	15/45 * 13/48

* Only valid for EUROPA version

Starting.....electric starter (Kick-starter optional)



RECOMMENDED LUBRICANTS AND LIQUIDS

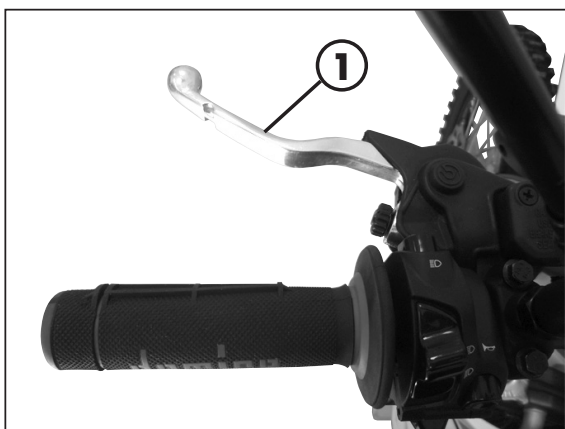
RR Race Edition 4 Stroke Models:

Engine Oil:	Motul 7100 10w40 (For Racing use Motul 300V 10w40)
Transmission Oil:	Motul Transoil Expert 10w40
Brake Fluid:	Motul RBF 600
Coolant/Antifreeze:	Motul Motocool Expert
Fork Oil:	Motul Factory Line 5 wt.
Air Filter Oil:	Motul Air Filter Oil
Air Filter Cleaner:	Motul Air Filter Clean
Grease:	Motul Tech 300

CHAPTER 2 OPERATION

CONTENTS

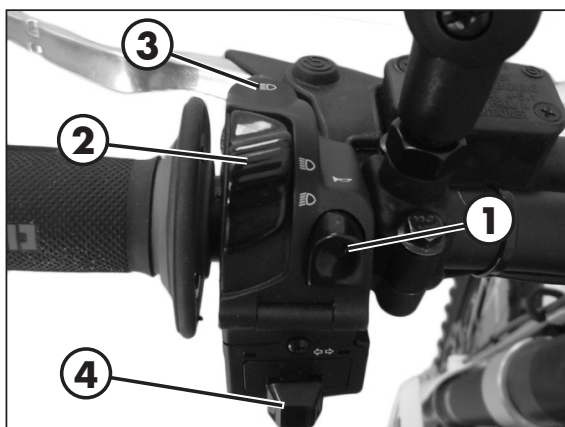
Main parts	16
Clutch lever	16
LH switch.....	16
RH switch	16
Front brake lever and gas control	17
Gear change lever.....	17
Brake pedal.....	17
Kickstart - Optional	17
Side stand	18
Keys	18
Steering lock.....	19
Digital rpm indicator operating instructions.....	20
Checks before and after use	30
Running in.....	30
Fuelling.....	31
Starting the engine	32
Engine shut-down	32
Vehicle preparation for use in heavy-duty conditions.....	33



MAIN PARTS

CLUTCH LEVER

Clutch lever **1** is fitted to the left-hand side of the handlebars.



LH SWITCH

The dip and service switch is located on the left side of the handlebar and is composed as follows:

1 - Horn button;

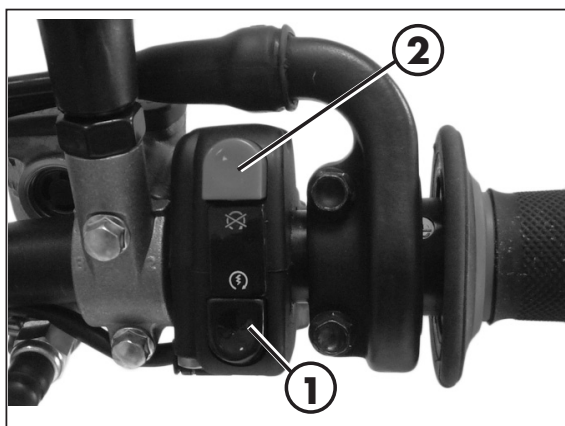
2 - Dip switch:

 parking lights and high beam;

 parking lights and low beam;

3 - Flash-to-pass button;

4 - Turn signal light switch: shifting lever left or right activates the left or right indicators. When released, the lever returns to the central position. Press it to turn the indicators off.



RH SWITCH

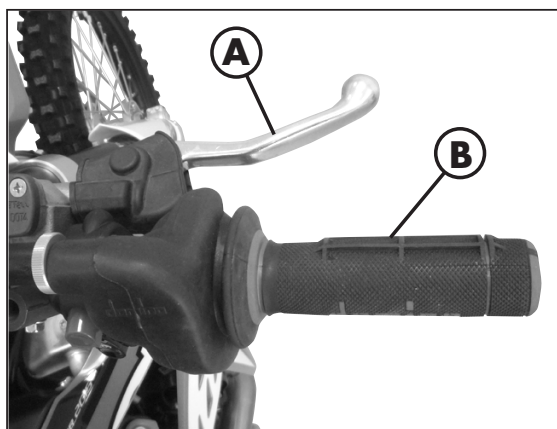
Starter button **1** is located on the right-hand side of the handlebars and operate the electric engine starter. For startup, refer to page 32.

Do not press the button **1** while the engine is running.

The button **2** turns off the engine.

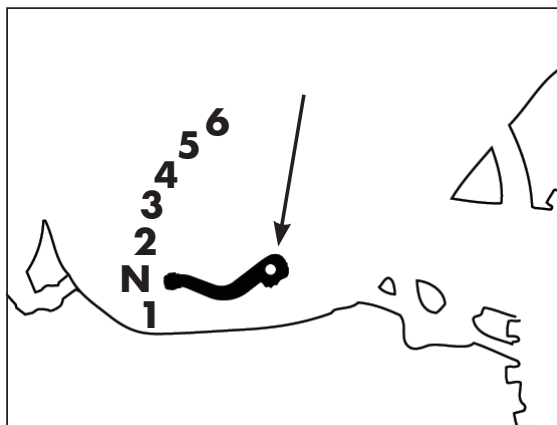
FRONT BRAKE LEVER AND GAS CONTROL

The front brake lever **A** and the gas throttle **B** are located on the right side of the handlebar.



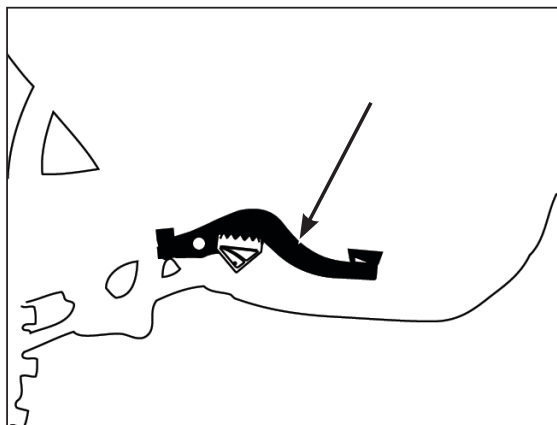
GEAR CHANGE LEVER

Gear change lever is fitted to the left side of the engine. The positions corresponding to the different gears are shown in the figure.



BRAKE PEDAL

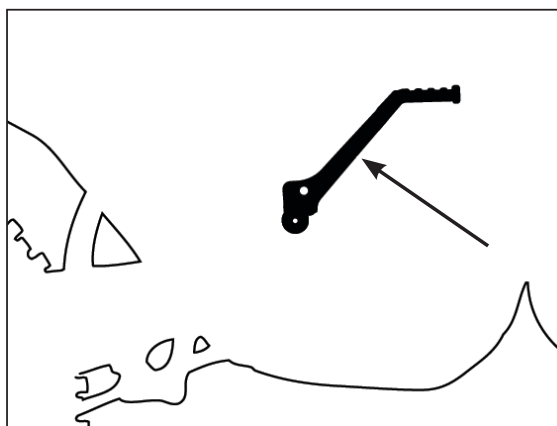
Brake pedal is located in front of the right-hand footrest.

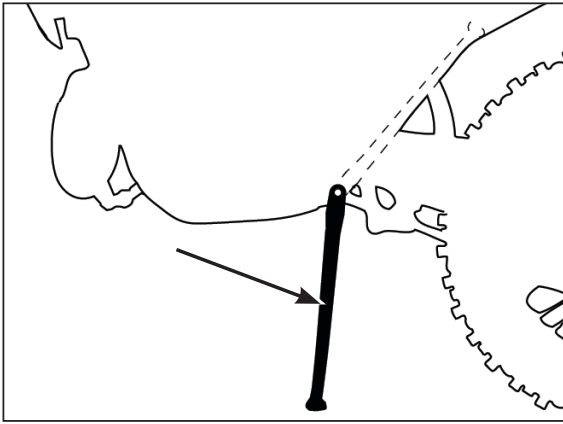


KICKSTART - OPTIONAL

The kick-starter pedal is located on the right side of the engine. The upper part is rotatable. To start, depress the kick-starter outward and with a quick movement downward.

The pedal will automatically return upwards. After starting, manually fold the pedal in the rest position.



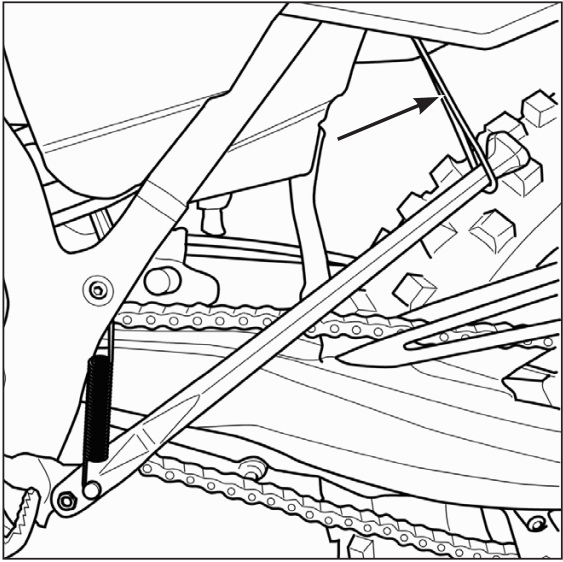


SIDE STAND

Press down side stand with the foot and lean the vehicle against it. Ensure that the ground is solid and the vehicle stands steadily.



WARNING: do not climb on the vehicle when the side stand is down.



If the vehicle is used off-road, the closed stand can be further fastened by means of rubber band.

KEYS

The vehicle is supplied with two keys (one key and its spare).

STEERING LOCK

To activate the steering lock:

- turn the handlebar counter-clockwise;
- push the key and turn counter-clockwise;

Remove the key from this position.

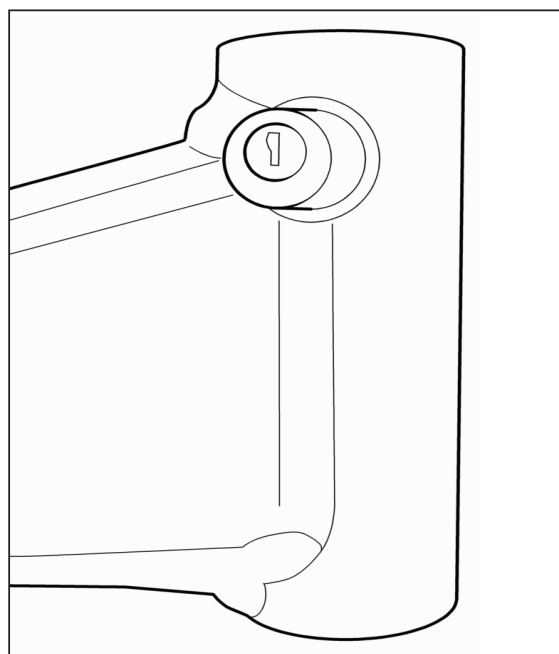
To deactivate the steering lock:

- turn the key clockwise;
- turn the handlebar clockwise;

From this position, the handlebar is free to move, the key can be removed.

WARNING: do not keep the spare key inside the vehicle, but in a safe place.

We suggest you note the code number stamped on the keys. In this way you can obtain a duplicate.



2

DIGITAL RPM INDICATOR OPERATING INSTRUCTIONS

Index

1	General information
2	Operating condition
3	General characteristics
3.1	Dashboard start-up process
3.1.1	Wake up events
3.2	LCD Display
3.2.1	LCD general characteristics
3.2.2	Speed
3.2.3	Odometer
3.2.4	Trip A
3.2.5	Trip B
3.2.6	Clock
3.2.7	Ride Time
3.2.8	Unit option display
3.2.9	Wheel length display
3.2.10	Motorbike battery level
3.2.11	Push Button Management Table
3.3	Telltals
4	Coin battery

1 GENERAL INFORMATION

The dashboard integrates these main blocks:

- LCD display for showing all required information
- 2 pushbuttons
- Coin battery



2 OPERATING CONDITION

Standard supply voltage:	10 to 16V
Minimum supply voltage w/o reset:	6.5V

3 GENERAL CHARACTERISTICS

3.1 DASHBOARD START-UP PROCESS

The dashboard do some start-up process when is turned ON. There are three different wakes up events for starting the dashboard.

This start-up process consists in turning ON the telltales and the LCD backlight and the LCD will show all the segments during 2 seconds.

After the start-up process, dashboard is kept ON during 30 seconds if there are no events as pushbutton press, speed signal or engine ON.

3.1.1 WAKE UP EVENTS

3.1.1.1 Motorbike power supply is activated

When the power supply of dashboard is activated (e.g. when engine is turned on), the dashboard does the normal start-up process and is kept ON while

3.1.1.2 Wheel revolution

If the motorbike generated a speed pulse, the dashboard will be turned ON doing the normal start-up process. After the start-up process the dashboard will display the normal mode, and will be ON during 30 seconds if no speed pulse is generated.

3.1.1.3 Button is pushed

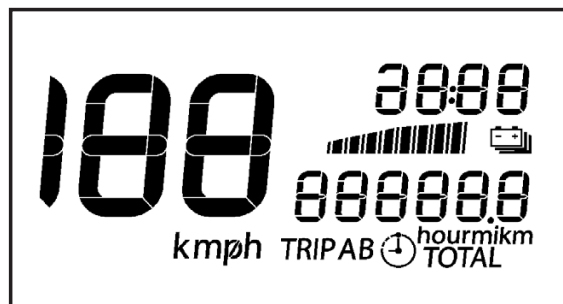
If one or both buttons are pushed the dashboard will be turned ON doing the start-up process.

After the start-up process the dashboard will display the normal mode, and will be ON during 30 seconds if no pushbutton is pressed.

3.2 LCD DISPLAY

Dashboard is equipped with a LCD display for showing following information:

- Speed
- SoC vehicle battery
- Odometer (distance or ride time)
- Trip TOTAL-A-B (distance or ride time)
- Clock



Each information/data is refreshed independently at different rate, depending on information type and variability of this information.

3.2.1 LCD GENERAL CHARACTERISTICS

Each information/data is refreshed independently at different rates, depending on information type and variability of this information.

3.2.2 SPEED

Dashboard computes and displays the motorbike speed on LCD display. Speed information can be obtained from:

Dedicated digital input for measuring speed sensor frequency.

3.2.2.1 Speed digital input configuration

Configuration parameters for speed input and speed visualization.

Dimensions displayed: [km/h or mph]

Minimum speed indication: [5 km/h]

Speedometer advance: [5 %]

Wheel parameters:

- Wheel perimeter selectable between 2 values:
 - Default wheel perimeter value: (enduro) 2100mm
 - 2nd wheel perimeter value: 1811mm
- Pulses per turn: [1 pulses/turn]

3.2.2.2 Speed LCD

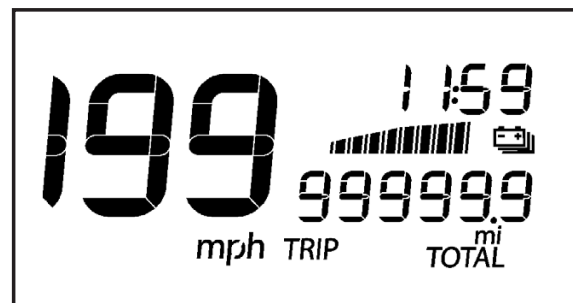
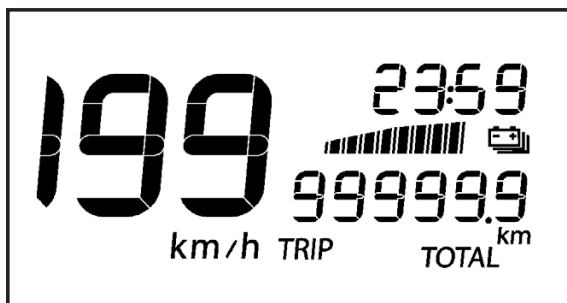
Speed and speed units are permanently displayed (km/h or mph).

km/h display range: 0 to 199km/h.

mph display range: 0 to 199mph.

Leading zeros suppressed.

Following picture shows LCD displaying speed in km/h and mph:



3.2.3 ODOMETER

Dashboard provides an odometer and is displayed on LCD display.

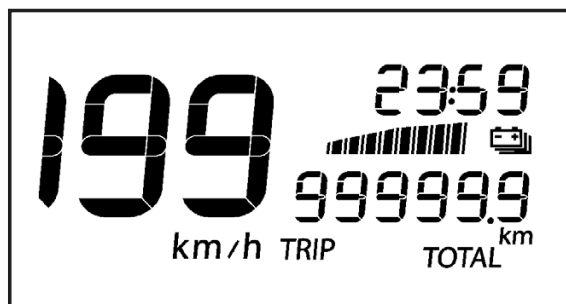
This option can be displayed scrolling by "MODE" button.

6 digits and "ODO" icon lighted.

Leading zeros not suppressed.

Display range from 000000 to 999999 km or miles. If odometer is greater than 999999 km, odometer will be fixed as 999999km.

Minimum display unit: 1 km or mile.



3.2.4 TRIP A

Dashboard provides 2 trips and is displayed on LCD display.

This option can be displayed scrolling by "MODE" dashboard button.

4 digits (3digits + decimal point + 1 digit), "TRIP" icon lighted and "A" on the left.

Leading zeros suppressed.

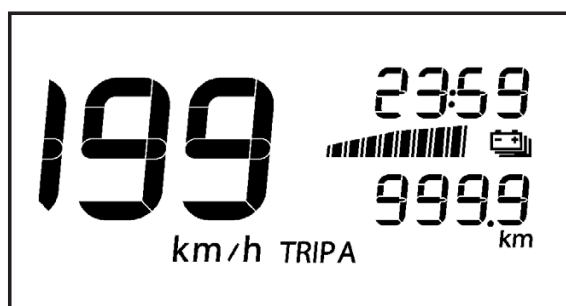
Display range from 0.0 to 999.9 km or miles.

Trip A counter counts from 0 up to 999.9 and then rolls over to 0 and continue counting.

Minimum display unit: 0.1 km or miles.

Trip A reset by pressing "SET" button more than 2 seconds.

Trip A display the Trip A ride time pressing "SET" button less than 2 seconds. Ride time is showed as an hour decimal number. Examples: 30 min is 0.5 or 1h20min is 1.3.



2

3.2.5 TRIP B

This option can be displayed scrolling by "MODE" dashboard button.
4 digits (3digits + decimal point + 1 digit), "TRIP" icon lighted and "B" on the left.
Leading zeros suppressed.

Display range from 0.0 to 999.9 km or miles.

Trip B counter counts from 0 up to 999.9 and then rolls over to 0 and continue counting.

Minimum display unit: 0.1 km or miles.

Trip B reset by pressing "SET" button more than 2 seconds.

Trip B display the Trip B ride time pressing "SET" button less than 2 seconds. Ride time is showed as an hour decimal number. Examples: 30 min is 0.5 or 1h20min is 1.3 .

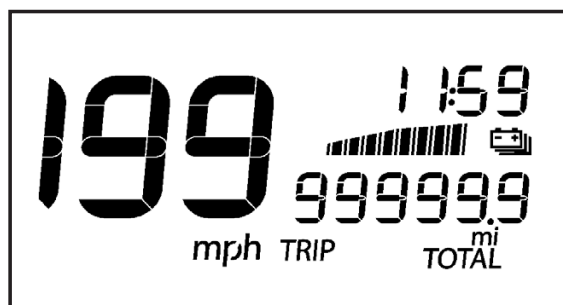
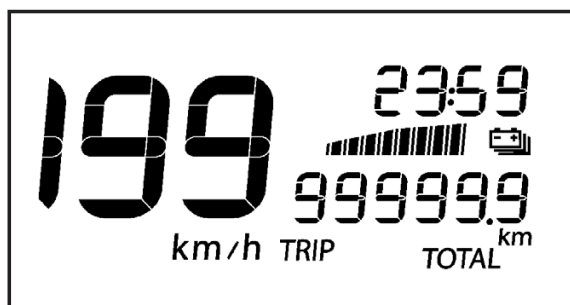


OPERATION

3.2.6 CLOCK

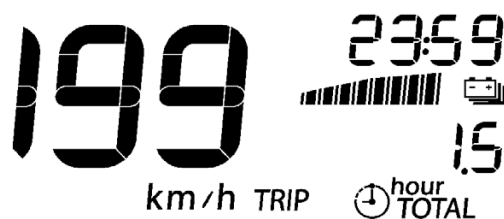
Dashboard provides a clock and is displayed on LCD display. Time is obtained from internal crystal quartz and is kept while dashboard is connected to coin battery.

Clock format	If units of measure are km 24h
	If units of measure are mi 12h



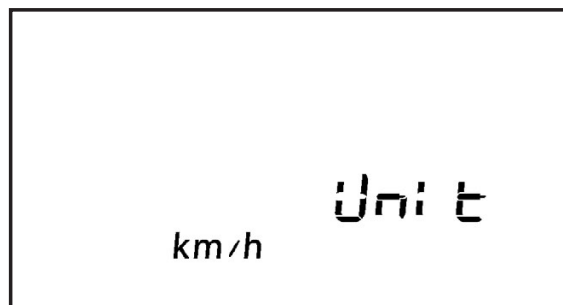
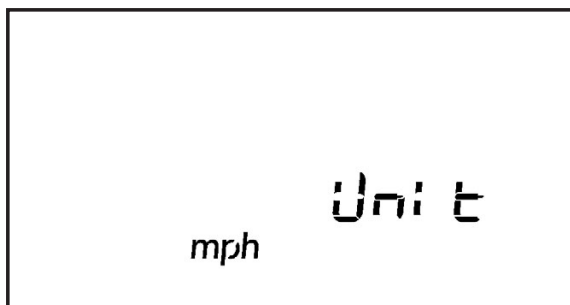
3.2.7 RIDE TIME

Dashboard provides a Ride Time and is displayed on LCD display. Time is obtained from internal crystal quartz and is kept with a push buttons. When the motorbike is turned on the ride time starts again.



3.2.8 UNIT OPTION DISPLAY

Dashboard provides the possibility to change the units and be displayed.

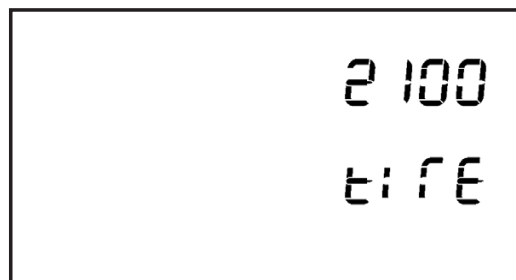
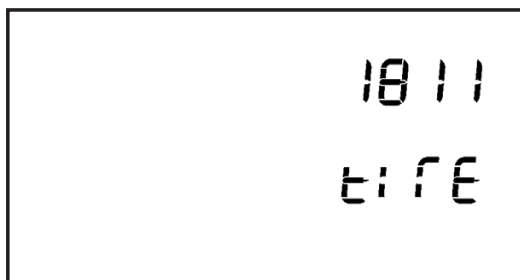


3.2.9 WHEEL LENGTH DISPLAY

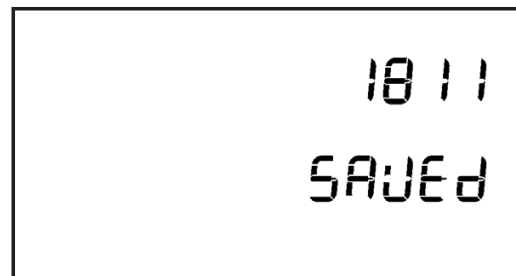
Dashboard provides the possibility to change the wheel length and be displayed. The length can be selected between 2 fixed values:

2100mm (enduro)

1811mm



Pushing mode and set more than 2 seconds wheel length is saved. "Saved" will be displayed during 1 second on Dashboard.



3.2.10 MOTORBIKE BATTERY LEVEL

Dashboard displays level of voltage of battery power supply:
Relationship between bars and level of voltage:

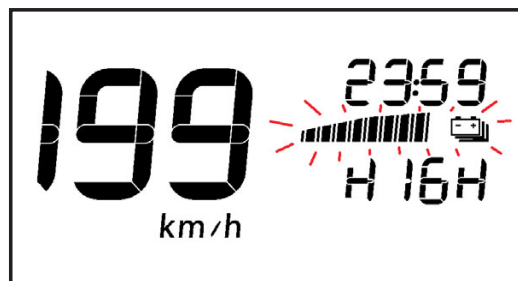
Bars	Voltage [V]	Bars	Voltage [V]
0 → 1	11	4 → 5	13
1 → 2	11.5	5 → 6	13.5
2 → 3	12	6 → 7	14
3 → 4	12.5	7 → 8	14.5

Battery level is updated every 30 seconds. Each update increase or decrease 1 bar.

**WARNING:**

If the word "HIGH" appears with the battery indicator flashing, turn off the engine and disconnect the battery as described on page 66.

Contact authorised BETAMOTOR customer service.

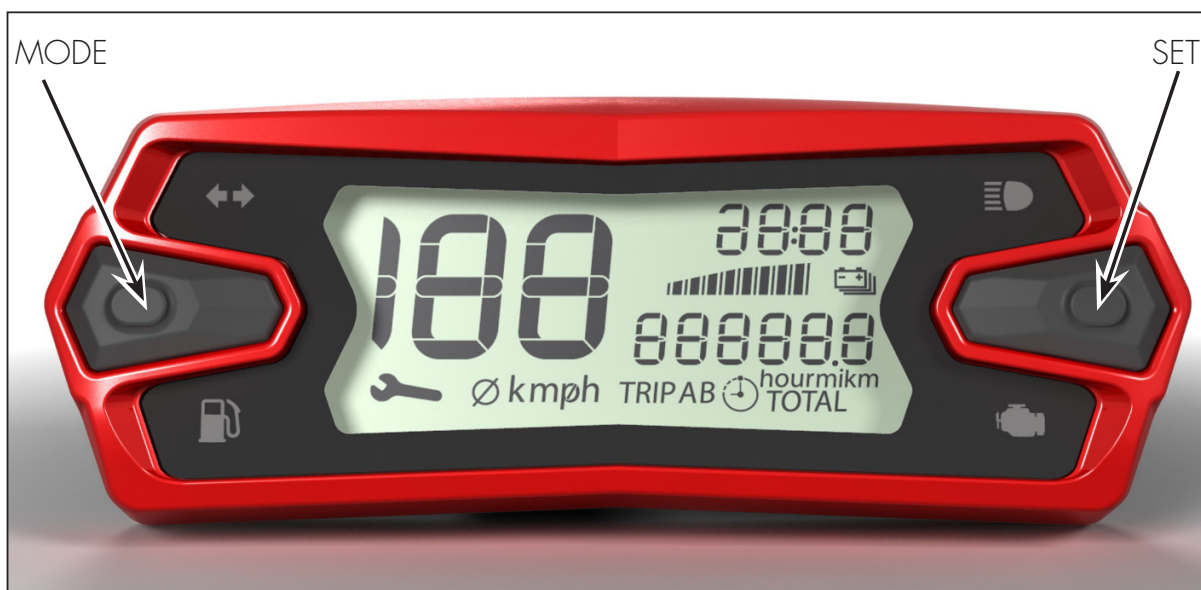


3.2.11 PUSH BUTTON MANAGEMENT TABLE

Mode	Speed	Function	Button	Time (sec)	Activity
ODO			MODE	<2	TOTAL- TRIPA - TRIPB - TOTAL
			SET	<2	Ride time- km – Ride time
	0	CLOCK MODE	MODE&SET	>2	CLOCK MODE
	0	WHEEL LENGTH	MODE	>10	WHEEL LENGTH MODE
	0		SET	>10	Km/h - mph - Km/h
TRIPA			MODE	<2	TRIPA - TRIPB - ODO - TRIPA
			SET	<2	Ride Time- Km– Ride time
			SET	>2	Reset Trip A and Ride time
	0	CLOCK MODE	MODE&SET	>2	CLOCK MODE
TRIPB			MODE	<2	TRIPB - ODO – TRIPA - TRIPB
			SET	<2	Ride Time- Km– Ride time
			SET	>2	Reset Trip A and Ride time
	0	CLOCK MODE	MODE&SET	>2	CLOCK MODE

Mode	Speed	Function	Button	Time (sec)	Activity
CLOCK MODE	0	"On Entering Stop Clock Mode"	MODE	<2	Increase in the Hour digits
			MODE	>2	Speedy increase in the Hour digits
			SET	<2	Increase in the minutes digits
			SET	>2	Speedy increase in the minutes digits
			MODE&SET	>2	Exit clock set mode and save the value
			NO ACTION	>10	Auto exit without saving

Mode	Speed	Function	Button	Time (sec)	Activity
WHEEL LENGTH	0	On entering wheel length mode	MODE	<2	Change wheel 2100 – 1811
			MODE&SET	>2	Exit wheel length mode and save the value
			NO ACTION	>10	Auto exit without saving



2

3.3 TELLTALES

LED number indicator:



OPERATION

Telltales/Indicator lights specifications:

Number of telltales: 4

LED number	Function	Symbol
LED 1	Blinkers	
LED 2	High beam	
LED 3	Fuel Reserve	
LED 4	MIL telltale (Engine management system fault)	

Power +12V are provided to the dashboard only when the bike is turned on (regulator line).

Blinkers LED 

The system activates the indicator in synchrony with the activation of the direction indicators

High beam LED 

The system activates the indicator in synchrony with the activation of the high beam.

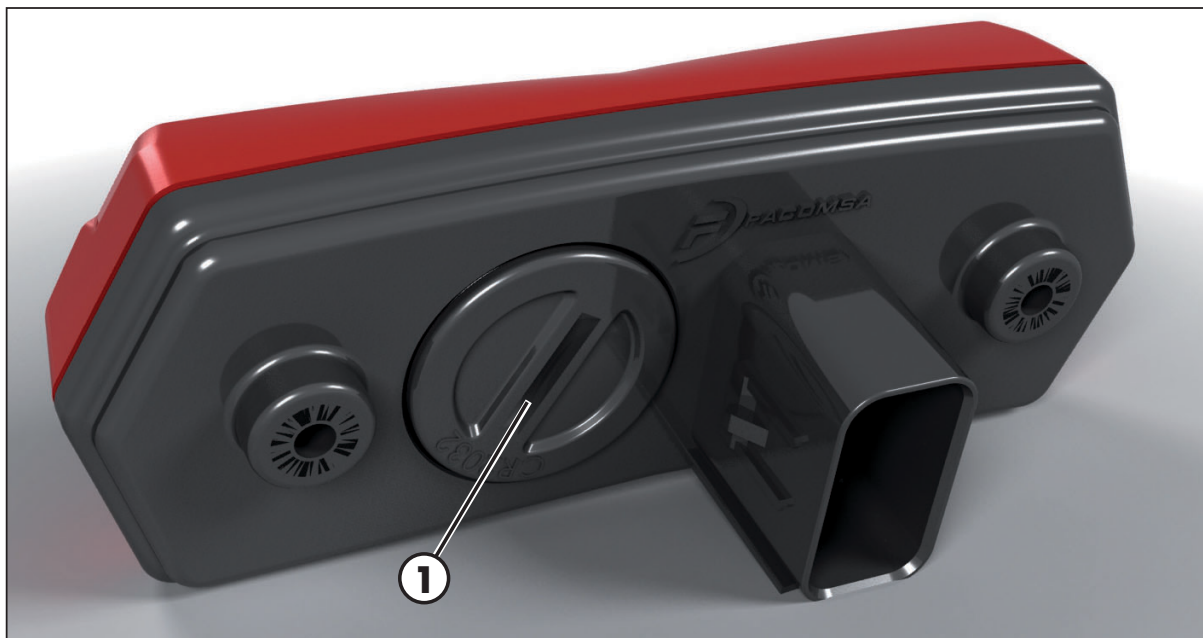
Reserve LED 

MIL LED 

Indicates a fault in the engine management system. In case of prolonged lighting, consult an authorised Betamotor dealer as soon as possible.

4 COIN BATTERY

Dashboard is equipped with a coin battery (1) for keeping time when motorbike is off. Coin size: CR2032.



2

CHECKS BEFORE AND AFTER USE

For safe driving and long vehicle life you should:



1 Check all fluid levels.



2 Check the correct operation of the brakes and brake pad wear (page 54).



3 Check pressure, general condition and thickness of tread.

4 Check that the spokes are properly tightened.

5 Check the tensioning of the chain (page 63).



6 Check the adjustment and the operation of all the cable controls.



7 Inspect all the nuts and bolts.

8 With the engine running, check the operation of the headlight, the rear and brake lights, the indicators, the warning lights and the horn.

9 Wash the motorcycle thoroughly after off-road use (page 69).

OPERATION

RUNNING IN

The running-in period lasts approximately 15 hours, during which it is advisable to:

- 1 During the first 3 hours of operation the engine should only be used to approximately 50 percent of its power. In addition, the engine speed should not exceed 7,000 rpm.
- 2 For the next 12 hours of operation the engine should only be used to about 75 percent of its power.

WARNING

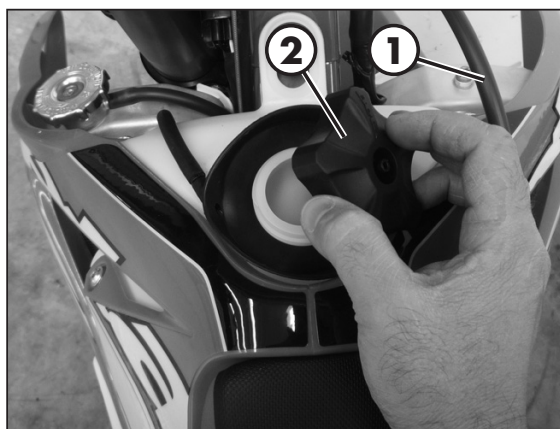
After the first 3 hours change the engine and gear oil.

This procedure should be followed each time piston, piston rings, cylinder, crankshaft or crankshaft bearings are replaced.

FUELLING

See page 13 for the fuel specifications.

Disconnect the ventilation pipe **1**.
To open the tank turn the cap **2** anticlockwise.



To close the fuel tank's cap, set it on the tank and crew it clockwise.

Fuel tank capacity is shown on page 10.

WARNING:

The refuelling should be performed with the engine off.

When the operation is finished, reconnect the ventilation pipe.



WARNING:

Fire hazard. Fuel is highly flammable.



Always stop the engine when refuelling and keep open flames and lighted cigarettes away.



Do not top up fuel while using a mobile phone.

Refuel in an open well ventilated area.

Pay special attention so that the fuel does not come into contact with hot parts of the vehicle. Immediately clean up any spilled fuel.



WARNING: Risk of poisoning.

Fuel is poisonous liquid and a health hazard.



Fuel must not come into contact with the skin, eyes, and clothing. Do not breathe in the fuel vapours. If contact occurs with the eyes, rinse immediately with plenty of water and seek medical advice. If contact occurs with skin, immediately clean contaminated areas with soap and water. If fuel is swallowed, contact a doctor immediately. Change clothing that is contaminated with fuel.

WARNING: Environmental pollution hazard.

The fuel must not contaminate the ground water, the ground, or the sewage system.

2

STARTING THE ENGINE

The bike starts **ONLY** with the battery mounted on the vehicle and connected to the electrical system.

Check that the gears are in neutral (page 17).

Close the side stand (page 18).

WARNING:

During start-up it is advisable not to operate the throttle.

WITH ELECTRIC STARTER (page 16):

Press the startup button for a max of 3 seconds. If the vehicle does not startup, wait 30 seconds before attempting a new startup.

NOTE

Pauses are needed to diffuse the generated heat and to avoid damaging the battery. If the battery is at a temperature below 15°C, the electric startup will be weak, not because the battery is deteriorated but because it needs to be warmed up. Therefore, with temperatures below 15°C, several startup attempts may be necessary to heat the battery and thereby increase the battery power provided by the battery.

Do not press the button while the engine is running.

NOTE: If the battery charge is not sufficient to allow the electric starter you can still start the bike with the start lever if the battery voltage is more than 8V.

WITH KICK-STARTER (page 17):

Depress the kick-starter with a sharp movement of the foot.

In case of cold start with kick starter it is required to act on the starting lever for about three times.

WARNING:

Do not try to start the engine by combining the effect of the kick starter and the electric starter.

ENGINE SHUT-DOWN

To shut-down the engine press the button  on the switch unit (page 16).

WARNING:

In case of fall the vehicle turns off after about 5 seconds.

VEHICLE PREPARATION FOR USE IN HEAVY-DUTY CONDITIONS

Using the vehicle in heavy-duty conditions, such as sand or wet or muddy soils, may require the corrective actions mentioned below.

The following are considered heavy-duty operating conditions:

- Dry sand
- Wet sand
- Particularly wet and muddy soils
- Driving in high temperature and low speed conditions
- Driving in low temperature and snow conditions

General actions:

- Verify filter and filter box cleaning (page 49)
- Verify tensioning and wear of the chain (page 64)
- Verify all electrical connectors, making sure they are well connected. Keep them dry and clean.

USE ON DRY SAND

- Apply specific protection against sand to the air filter
- Clean the chain
- Assemble a steel crown. For this operation contact the Betamotor service network. (Do not grease the chain!)
- Verify that the radiator fins are clean
- Verify that the radiator fins are not bent

USE ON WET SAND

- Apply an anti-water cap for the water filter
- Clean the chain
- Assemble a steel crown. For this operation, contact the Betamotor service network. (Do not grease the chain!)
- Verify that the radiator fins are clean
- Verify that the radiator fins are not bent

USE ON PARTICULARLY WET AND MUDDY SOILS

- Apply an anti-water cap for the water filter
- Assemble a steel crown. For this operation contact the Betamotor service network.
- Verify that the radiator fins are clean
- Verify that the radiator fins are not bent
- After use, proceed with washing (page 69)

DRIVING IN HIGH TEMPERATURE AND LOW SPEED CONDITIONS

- Adjust crown size based on the route.
Note: The oil has a tendency to heat up quickly when there is frequent clutch use and when using a crown whose dimensions are excessive. For this operation contact the Betamotor service network.
- Clean the chain
- Verify that the radiator fins are clean
- Verify that the radiator fins are not bent
- Verify cooling liquid level (page 47)
- For this use it is recommended to use an electric fan (optional). For the code, refer to the Betamotor accessory catalogue.

DRIVING IN LOW TEMPERATURE AND SNOW CONDITIONS

- Apply water protection to the air filter
- After use, proceed with washing (page 69)

CHAPTER 3 ADJUSTMENTS

CONTENTS

Key to symbols.....	36
Brakes	36
Front brake	36
Rear brake	36
Clutch.....	36
Adjustment of gas clearance.....	37
Idle adjustment	37
Handlebar adjustment	37
U-bolt position adjustment.....	37
Adjustment of the handlebar position	38
Adjusting fork	39
Adjusting the rebound damper	39
Adjusting the spring preload.....	39
Adjusting the compression damper	39
Shock absorber.....	40
Adjusting the rebound damper	40
Adjusting the hydraulic compression damper (high and low speeds)	40
Adjusting the spring preload.....	41
Static sag load test	41
Suspensions settings according to the weight of the rider	42

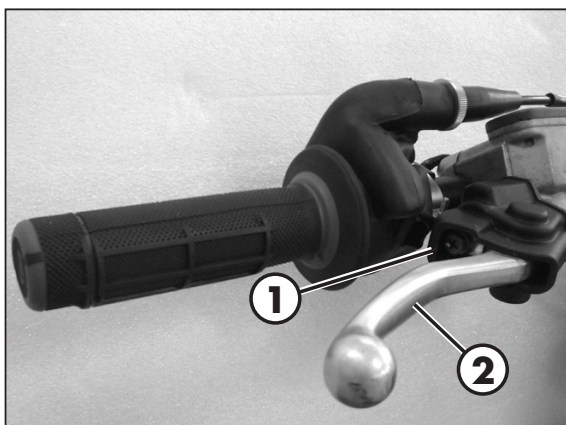
KEY TO SYMBOLS



Tightening torque



Threadlocker Medium

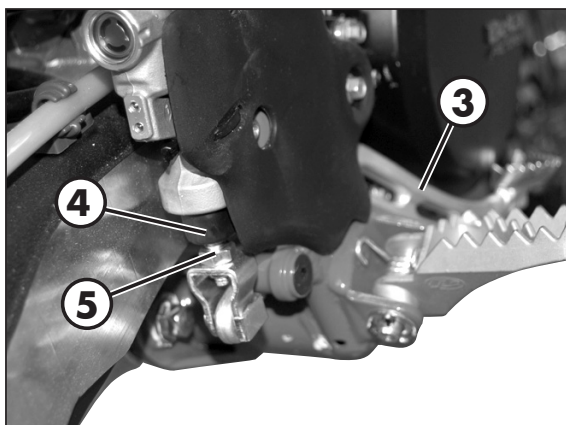


BRAKES

FRONT BRAKE

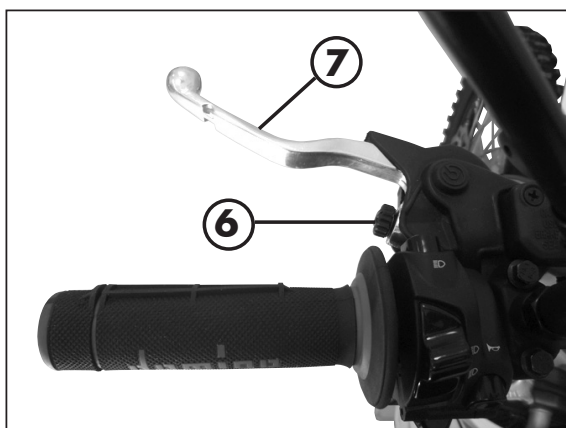
The front brake is disk type with hydraulic control.

The home position of brake lever **2** can be adjusted by means of screw **1**.



REAR BRAKE

The home position of brake pedal **3** can be altered by turning adjusting screw **5** after loosening the counternut located under dust cap **4**. Loosen the counternut and turn the adjusting screw until the desired height is obtained. Retighten the counternut after completing the operation.

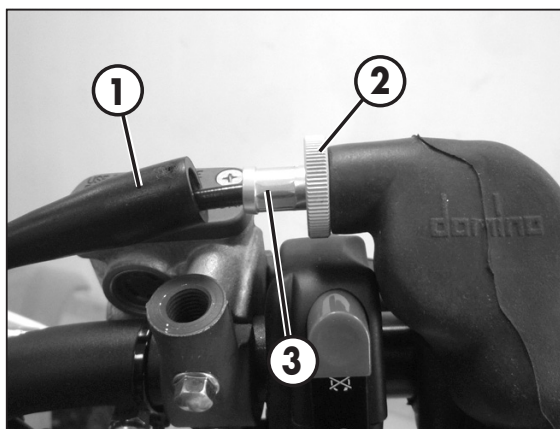


CLUTCH

The adjustment screw **6** allows adjustment of the distance of lever **7** from the knob. The empty run is recovered automatically.


ADJUSTMENT OF GAS CLEARANCE

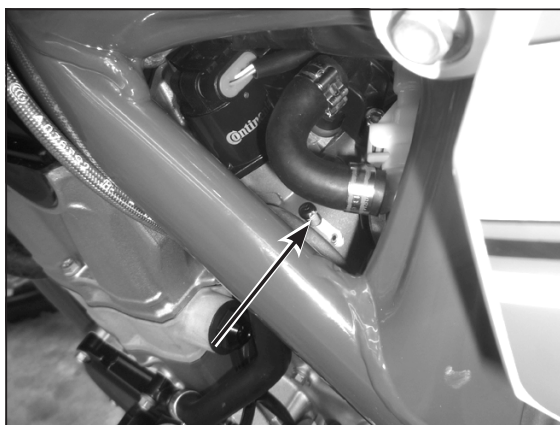
The throttle control cable should always have a 3-5 mm play. In addition, the idle speed should not change when the handlebars are fully rotated to the left or right. Push back protective cap **1**. Loosen counternut **2** and turn adjusting screw **3**. Tighten the counternut and check that the throttle twist grip turns smoothly.



IDLE ADJUSTMENT

The minimum speed is controlled directly by the electronic control unit. Any manual adjustment is not allowed.

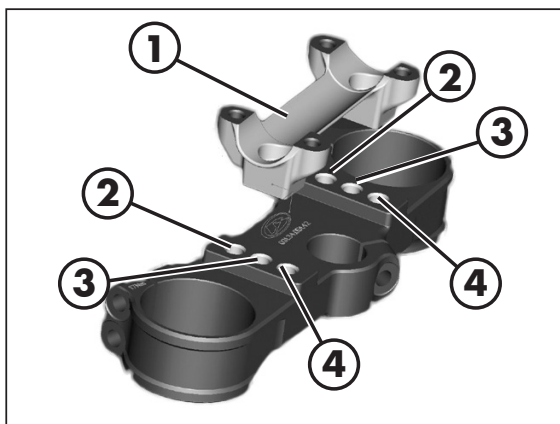
 **WARNING!** Do not modify the indicated screw for any reason. Modifying the position of this screw may cause abnormal response behaviour and engine operation. Moving the indicated screw, in terms of the warranty, is considered tampering.

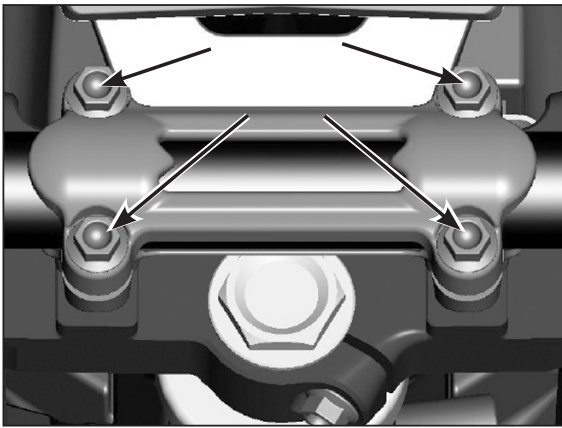


HANDLEBAR ADJUSTMENT

U-BOLT POSITION ADJUSTMENT

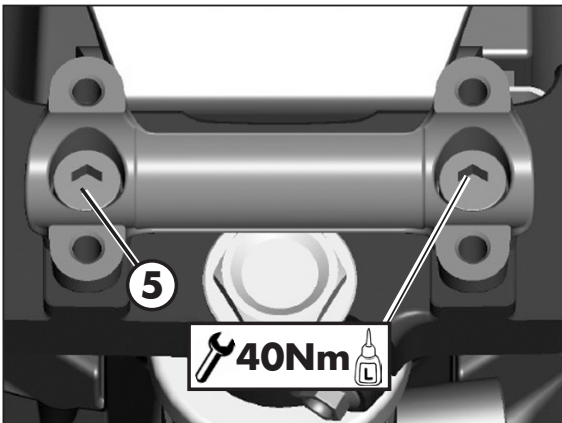
The lower bracket **1** can be mounted on the holes nr. **2**, **3** or **4** respectively.





To adjust the position of the u-bolt remove the screws shown in the figure.

Remove the handlebar.

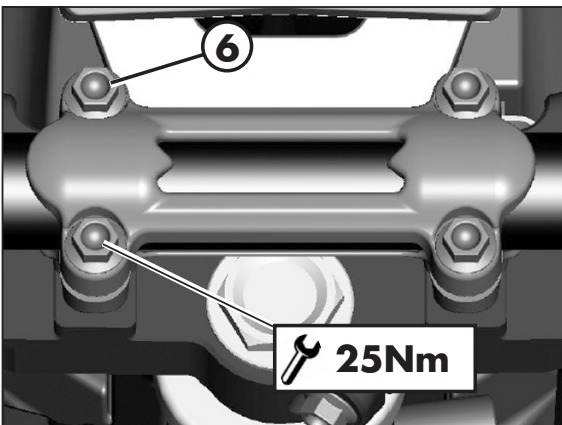


Remove the screws **5**.

NOTE: Before removing the screws **5** heat the area with a hairdryer of the type used by coachbuilders.

Position the U-bolt as required.

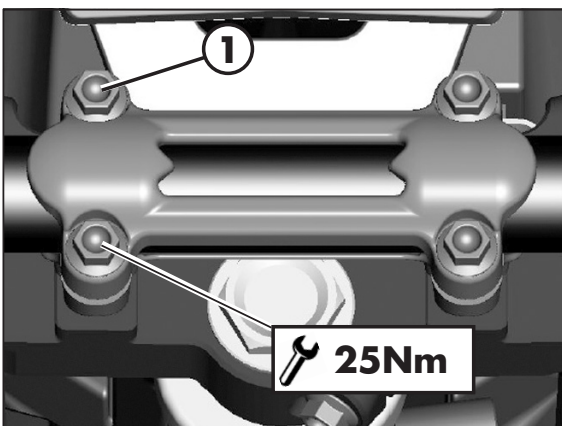
At the end refit the screws **5** after the application of thread lock fluid and tighten to the torque indicated.



Apply the handlebar.

Apply the top u-bolt.

Refit the screws **6**. Tighten to the torque indicated.



ADJUSTMENT OF THE HANDLEBAR POSITION

The handlebar can be adjusted by rotating it back and forth.

To adjust the handlebar loosen screws **1**.

Position the handlebar according to requirements.

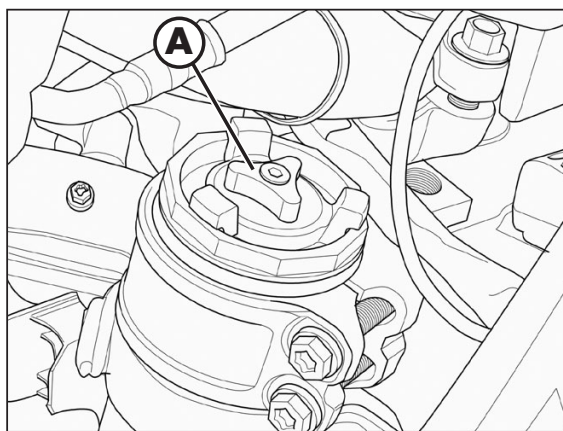
Tighten to the torque indicated.

ADJUSTING FORK

ADJUSTING THE REBOUND DAMPER

The hydraulic rebound damper determines the behaviour of the telescopic fork during extension and can be adjusted by means of knob **A**. Turning the screw clockwise (towards +) increases the action of the rebound damper; turning it anticlockwise (towards -) decreases the action of the rebound damper.

For standard calibration, refer to page 11.

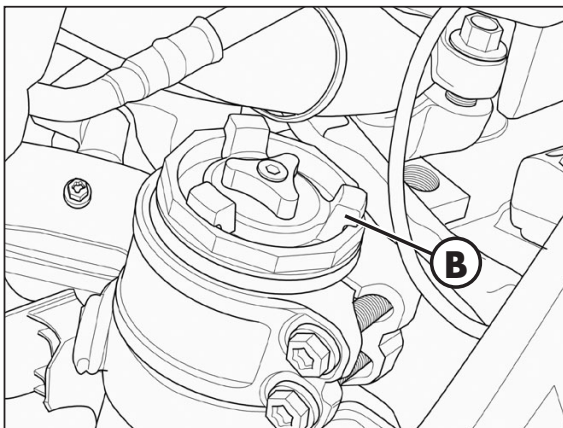


ADJUSTING THE SPRING PRELOAD

The spring preload is adjusted by using the ring nut **B**. Rotate clockwise to increase the spring preload or anticlockwise to decrease it.

The spring preload varies by one millimeter, each complete revolution.

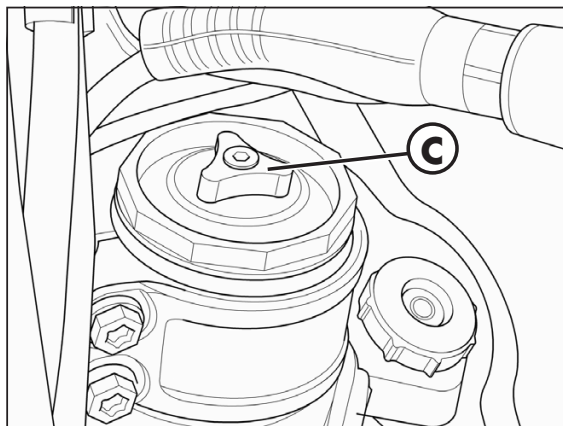
For standard calibration, refer to page 11.

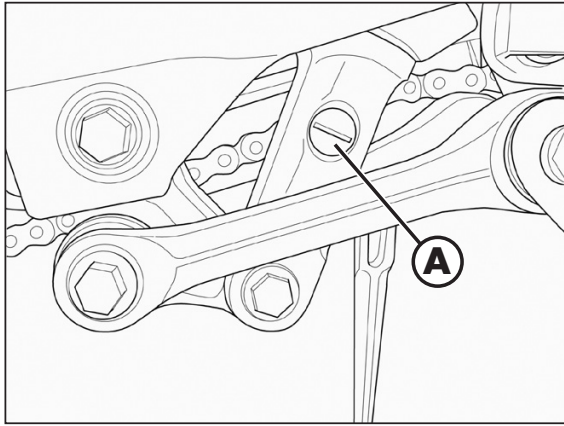


ADJUSTING THE COMPRESSION DAMPER

The hydraulic compression damper determines the behaviour of the telescopic fork during compression and can be adjusted by means of knob **C** located at the lower end of the fork legs. Turning the screw clockwise (towards +) increases the action of the compression damper; turning it anticlockwise (towards -) decreases the action of the compression damper.

For standard calibration, refer to page 11.





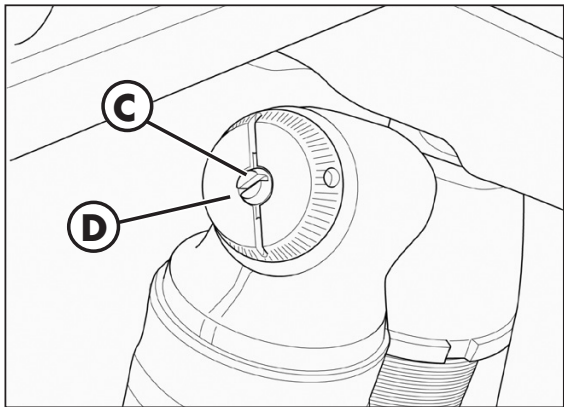
SHOCK ABSORBER

ADJUSTING THE REBOUND DAMPER

Turn screw **A** to adjust the hydraulic rebound damper.

Turning the screw anticlockwise (out) decreases the damping effect.

For standard setting, refer to page 11.



ADJUSTING THE HYDRAULIC COMPRESSION DAMPER (HIGH AND LOW SPEEDS)

Adjustment for low compression speed:

- Using a screwdriver, loosen screw **C** by turning it clockwise to increase the hydraulic compression damper.

For standard setting, refer to page 11.

Adjustment for high compression speed:

- Turn knob **D** anticlockwise to decrease the hydraulic compression damper.

For standard setting, refer to page 11.

WARNING:

Starting from the standard position, turn the knob anticlockwise (with a closing action), the center screw will have an integral movement, then will rotate with the knob.

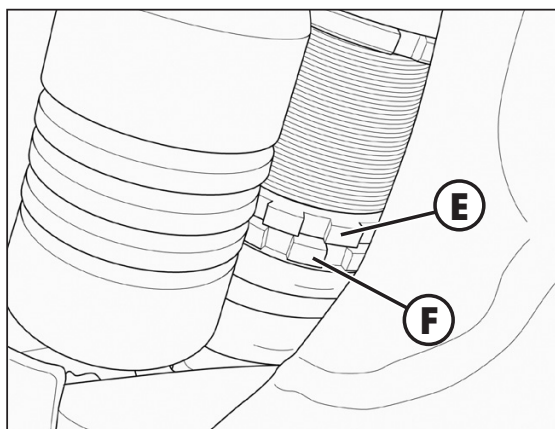
For standard setting, refer to page 11.

ADJUSTING THE SPRING PRELOAD

Loosen counter-ring **E**, rotate ring **F** clockwise to increase the spring preload (and consequently the shock absorber preload) or anticlockwise to decrease it. After obtaining the desired preload, turn counter-ring **E** until it stops against adjusting ring **F**.

For standard setting, refer to page 11.

NOTE: for the handling of ring nuts use the specific wrench provided in the standard tool kit shown in the figure.

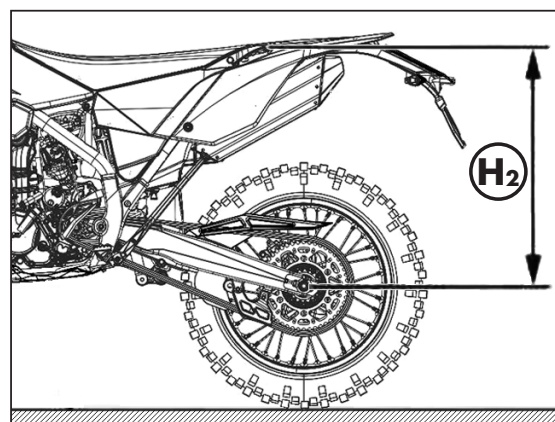
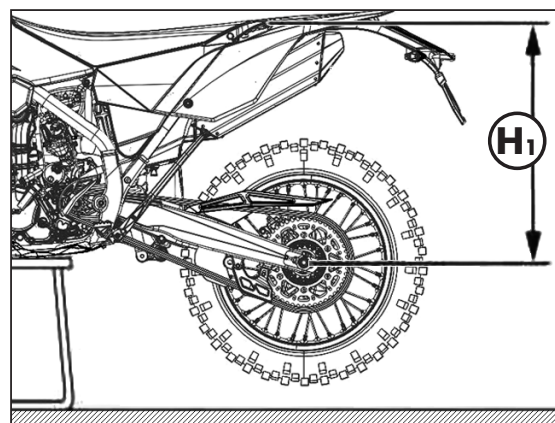


STATIC SAG LOAD TEST

To verify the static sag of the shock absorber proceed as follows:

- Place the motorcycle on the work stand.
- Measure the vertical distance between the rear wheel axle and a reference point on the rear fairings.
- Write down the dimension H_1 .
- Remove the work stand.
- Keep the motorcycle in vertical position and measure again the distance between the wheel axle and the reference point previously established.
- Write down the dimension H_2 .

Verify that the value of the static compression $X = H_1 - H_2$ matches the one shown on page 11. Otherwise, perform the adjustment of the spring preload as described above.



3

SUSPENSIONS SETTINGS ACCORDING TO THE WEIGHT OF THE RIDER

The table below shows the spring constant K of the suspensions (fork and shock absorber) depending on the weight of the driver.

Refer to the accessories catalogue Betamotor to obtain the spring codes.

Fork	
Rider weight [kg]	K (Spring constant)
< 55	4,2
55 - 70	4,6
70 - 85	4,8
> 85	5

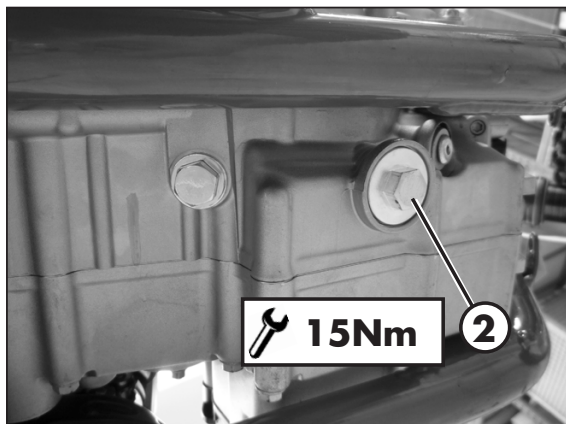
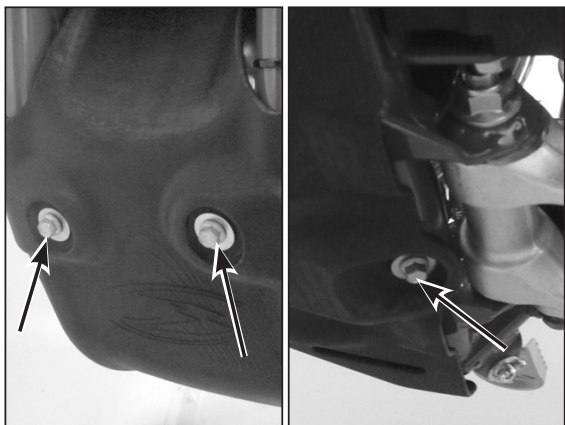
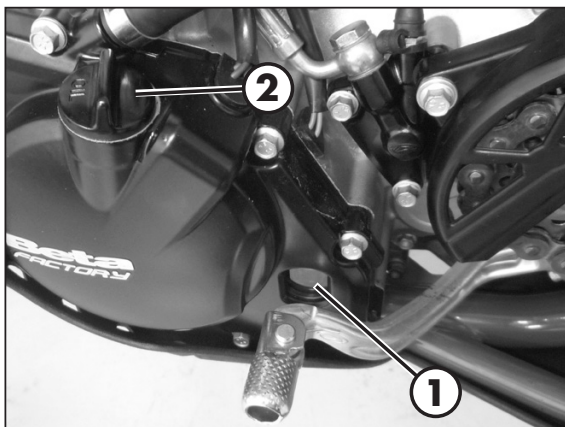
Shock absorber	
Rider weight [kg]	K (Spring constant)
< 50	4,8
50 - 60	5
60 - 70	5,2
70 - 80	5,4
80 - 95	5,6
> 95	5,8

Standard settings

CHAPTER 4 CHECKS AND MAINTENANCE

CONTENTS

Engine oil.....	44
Check the level	44
Replacement	44
Gearbox oil	46
Check the level	46
Replacement.....	46
Liquid coolant.....	47
Check the level	47
Replacement.....	48
Air filter	49
Air filter cleaning.....	50
Spark plug	51
Front brake.....	52
Check the level of the front brake fluid	52
Restoring the level of the front brake fluid	52
Bleeding the front brake	53
Front brake lining control	54
Brake disc thickness control	54
Rear brake	55
Check the level of the rear brake fluid.....	55
Restoring the level of the rear brake fluid.....	55
Bleeding the rear brake	56
Rear brake lining control	57
Brake disc thickness control	57
Clutch control	58
Check the level	58
Bleeding	59
Check and adjusting of steering play.....	60
Fork.....	61
Front wheel	61
Tightening	61
Tyres.....	62
Rear suspension leverage.....	62
Chain	63
Check and adjust tightening chain.....	63
Check for chain wear	64
Headlight.....	65
Replacing the headlight bulbs.....	65
Tail light.....	65
Battery.....	66
Battery removal.....	66
Battery assembly	67
Inactivity	67
Charging the battery	68
Fuses	68
Cleaning the vehicle.....	69
General precautions	69
Electrical connector maintenance	70
Control unit connector.....	70
Air pressure and temperature sensor.....	71
Prolonged inactivity.....	72
Scheduled maintenance vehicle	73
Tightening torque overview	75



ENGINE OIL

CHECK THE LEVEL

When engine is cold check the oil level by means of porthole **1**. The oil level must be always visible from the porthole.

In contrary case restore the oil level through cap **2** up to the upper edge of the inspection window.

Use the oil indicated on page 13 in the "Recommended lubricants and liquids" table.

REPLACEMENT

Always perform the replacement when engine is hot:

- Position the drive on a flat base ensuring stability.
- Remove the engine casing by loosening the screws shown in the figure.
- Place a container under the engine.



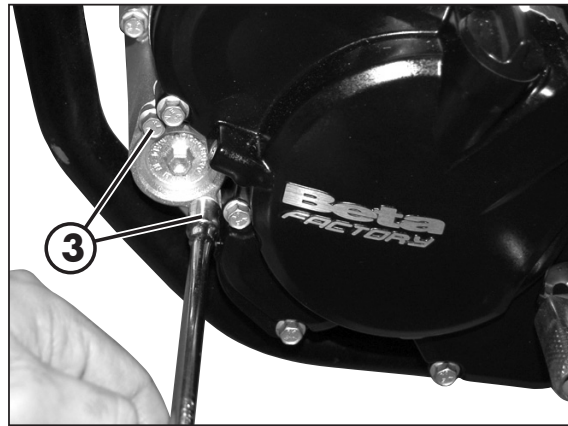
WARNING:

Hot oil can cause severe burns!

- Unscrew filler plug **1** and drain plug **2**.
- Remove the wire mesh filter.
- Drain all the oil from the crankcase.
- Thoroughly clean the drain plug, the wire mesh filter and the sealing surfaces.

- Mount the wire mesh filter and the drain plug.
- Tighten to the torque indicated.

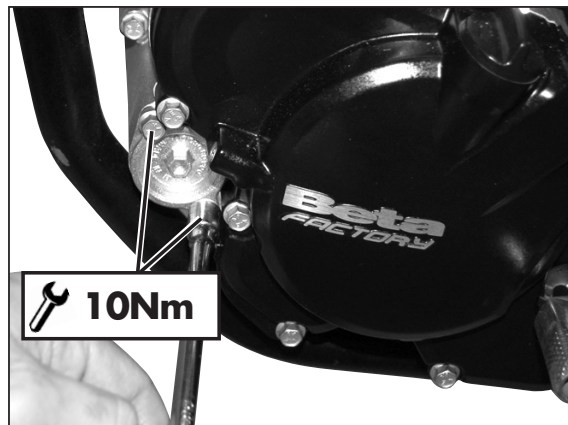
To change the paper filter, remove the oil tap from engine unscrewing the two screws **3**. Using special seeger ring pliers, pull the paper oil filter.



Mount the new paper filter, close the oil tap to engine, tighten the screws at 10 Nm.

Pour in the quantity of liquid indicated on page 10. Use the oil indicated on page 13 in the "Recommended lubricants and liquids" table.

- Screw on filler cap **1** again.
- Start the engine and run at idle for a few minutes.
- Turn off the engine and wait for about one minute, then check the level and top up if needed, without exceeding the upper edge of the inspection window.



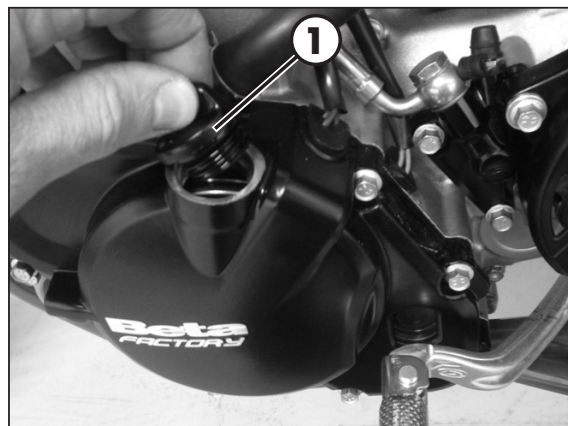
WARNING:

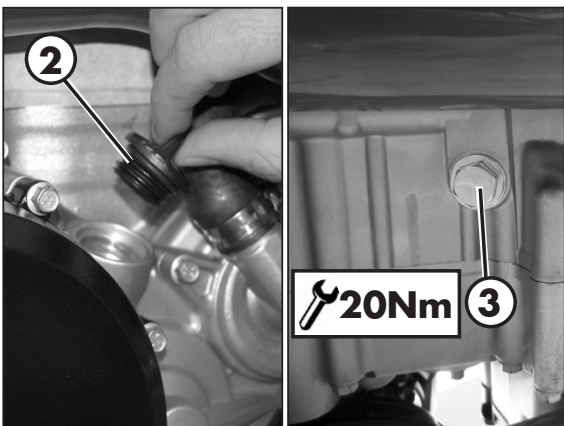
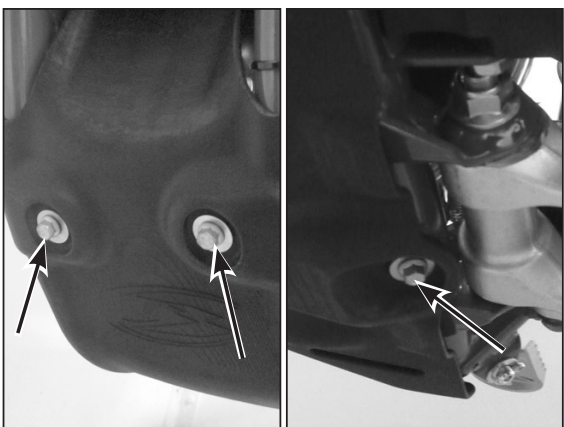
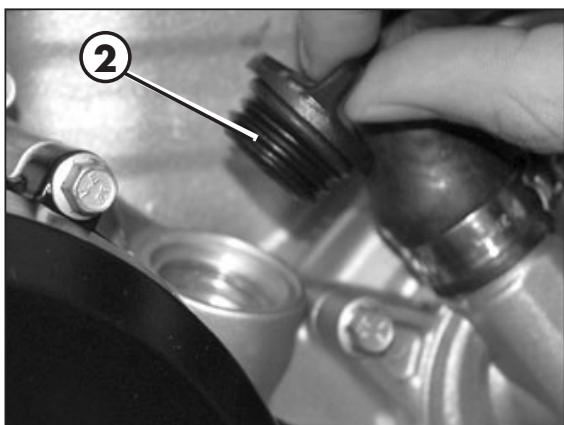
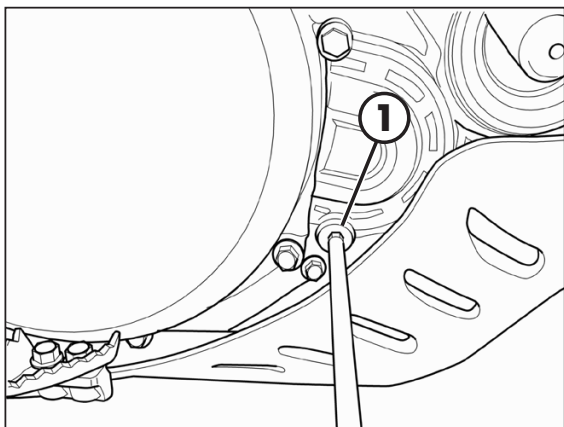
Hot oil can cause severe burns!

ATTENTION:

Dispose of used oil in compliance with the regulations in force.

Re-assemble the engine protection plate by tightening the screws to 10Nm.





GEARBOX OIL

CHECK THE LEVEL

Hold the vehicle upright.
Position the drive on a flat base ensuring stability.

Remove the inspection cap **1**.

The oil level must arrive to the lower edge of check hole.

In contrary case restore the oil level through cap **2**.

The inspection cap is ONLY to check the oil level. For the oil drain, refer to the paragraph Replacement, page 46.

Use the oil indicated on page 13 in the "Recommended lubricants and liquids" table.

REPLACEMENT

Always perform the replacement when engine is hot:

- Position the drive on a flat base ensuring stability.
- Remove the engine casing by loosening the screws shown in the figure.
- Place a container under the engine.

! WARNING:
Hot oil can cause severe burns!

- Unscrew filler plug **2** and drain plug **3**.
- Drain all the oil from the crankcase.
- Apply the cap **3** and tighten up to the specified torque.

Pour in the quantity of liquid indicated on page 10.

Use the oil indicated on page 13 in the "Recommended lubricants and liquids" table.

Close plug **2**.

WARNING:

Hot oil can cause severe burns!

ATTENTION:

Dispose of used oil in compliance with the regulations in force.

Re-assemble the engine protection plate by tightening the screws to 10Nm.

LIQUID COOLANT

CHECK THE LEVEL

Keep the vehicle in vertical position relative to the ground.

The level of the coolant must be checked when the engine is cold. Use the following procedure:

- Unscrew cap **1** and ensure that the liquid is visible in the lower portion of the loading tube.
- In the case in which the liquid is not visible remove the vent screw **2** and proceed topping up.
- At the end of operation refit the filler cap and the vent screw.

Use the oil indicated on page 13 in the "Recommended lubricants and liquids" table.



WARNING: Never unscrew the filler cap of the radiator when the engine is hot. Danger of burning!



WARNING:

Wear appropriate protective clothing and protection gloves.



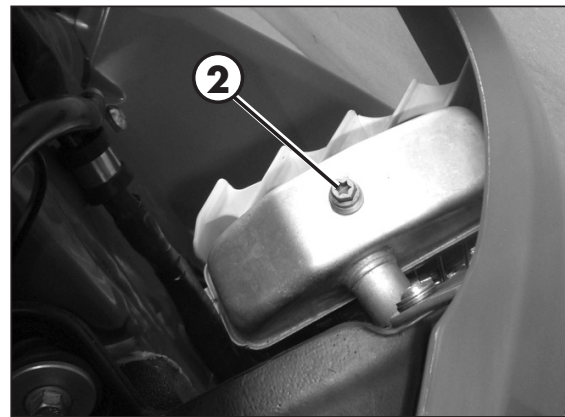
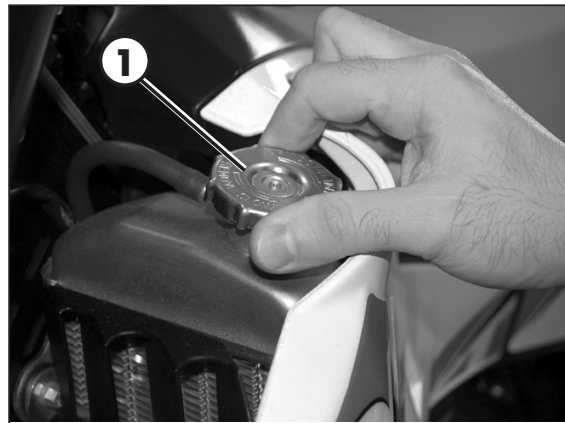
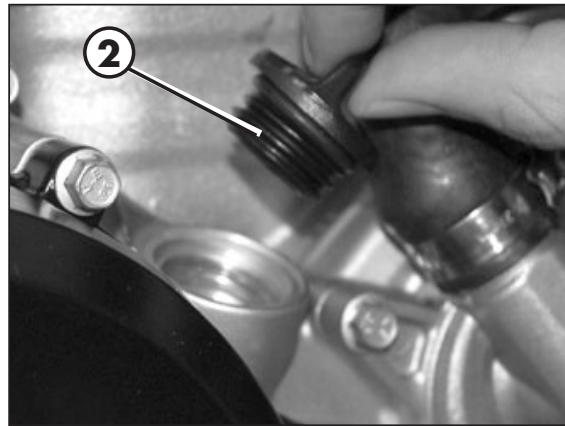
Keep coolant out of reach of children.

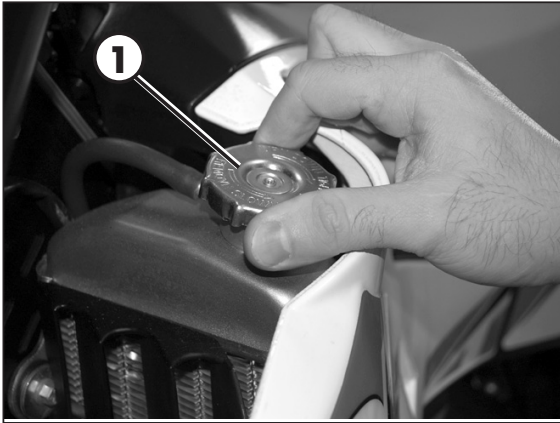
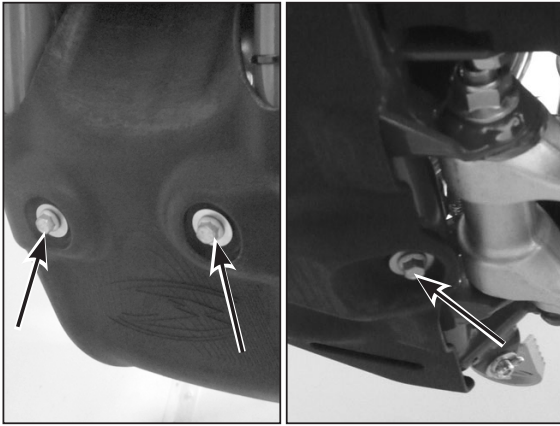


Avoid any direct contact of the coolant with skin, eyes or clothing. If this happens:

- with the eyes, rinse immediately with plenty of water and seek medical advice;
- with skin, Immediately clean contaminated areas with soap and water Change clothing that is contaminated with coolant.

If coolant is swallowed, contact a doctor immediately.





REPLACEMENT

Keep the vehicle in vertical position relative to the ground.

Replacement of the coolant must take place when the engine is cold.

- Remove the engine casing by loosening the screws shown in the figure.

- Unscrew cap **1**.

- Place a container under screw **2**.

- Unscrew the screw **2**.

- Drain the liquid.

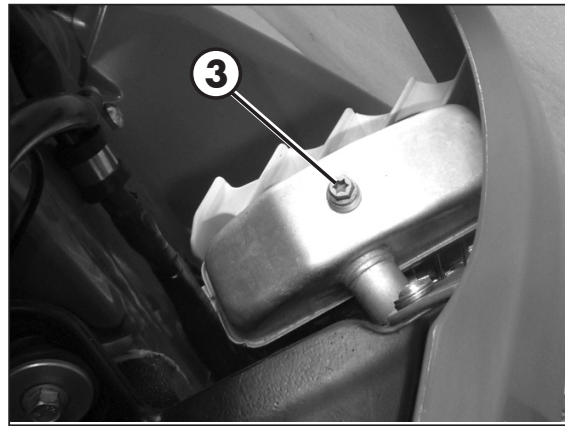
- Tighten screw **2** applying the specific washer.

- Re-assemble the engine protection plate by tightening the screws to 10Nm.

- Unscrew drain screw **3**.
- Proceed to filling.
- Reapply the loading cap and the bleeding screw.

The amounts of liquid are shown on page 10.

Use the liquid indicated on page 13 in the "Recommended lubricants and liquids" table.



WARNING:

Never unscrew the filler cap of the radiator when the engine is hot. Danger of burning!



WARNING:

Never unscrew the filler cap of the radiator when the engine is hot. Danger of burning!



WARNING:

Wear appropriate protective clothing and protection gloves.



Keep coolant out of reach of children.



Avoid any direct contact of the coolant with skin, eyes or clothing. If this happens:

- with the eyes, rinse immediately with plenty of water and seek medical advice.
- with skin, Immediately clean contaminated areas with soap and water Change clothing that is contaminated with coolant.

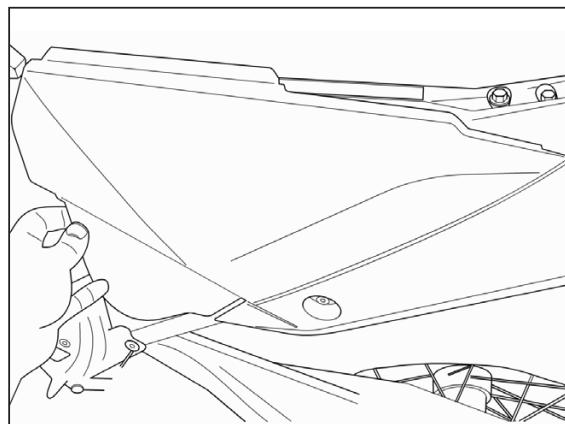
If coolant is swallowed, contact a doctor immediately.

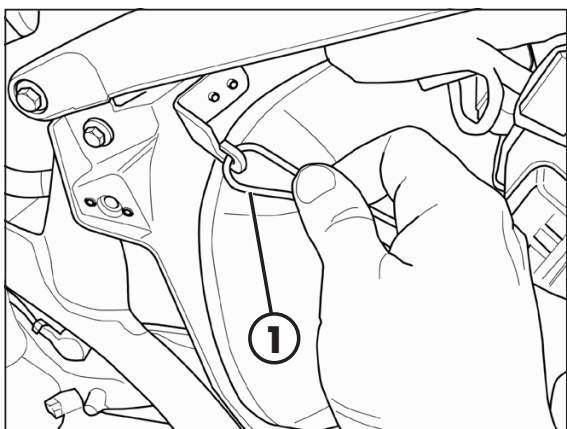
AIR FILTER

Check after every ride.

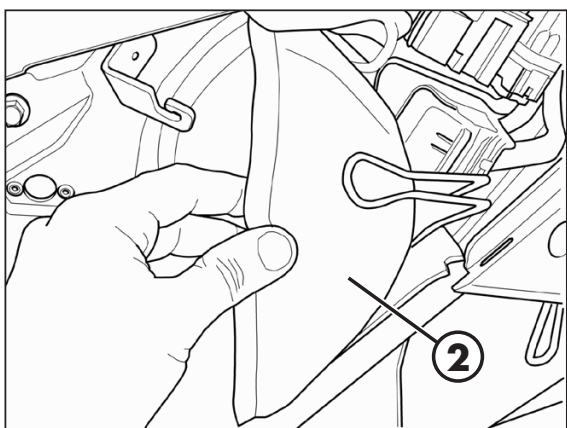
To access the filter:

- Remove the saddle (page 78).
- Unhook the filter cover panel by pulling it outward.





- Release filter fastener **1**



- Pull out air filter **2**

WARNING:
After every intervention, check that nothing has been left inside the filter box.

Reassemble by performing the operations in reverse order.

AIR FILTER CLEANING

- Thoroughly wash the filter with water and soap.
- Dry the filter.
- Wet the filter with filter oil and then remove the excess oil to prevent it from dripping.
- If necessary also clean the interior of the filter box.

WARNING:
Do not clean the filter with gasoline or petrol.

NOTE:
If the filter is damaged, replace it immediately.
To replace, contact authorised Betamotor customer service.

WARNING:
Never use the vehicle if the air filter is not in place. The infiltration of dust and dirt can cause damage and considerable wear.

WARNING:
After every intervention, check that nothing has been left inside the filter box.

SPARK PLUG

Keeping the spark plug in good condition will reduce fuel consumption and increase engine performance.

To accede to spark plug, is necessary to take off saddle (page 78) and the fuel tank (page 80).

Examine the distance between the electrodes with a feeler. This distance should be from $0,5 \div 0,6$ mm. If it is not, it may be corrected by bending the earth electrode.

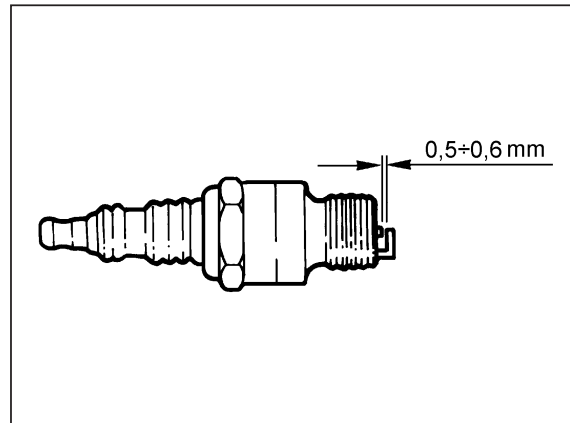
Check as well that there are no cracks in the insulation or corroded electrodes. If so, replace immediately.

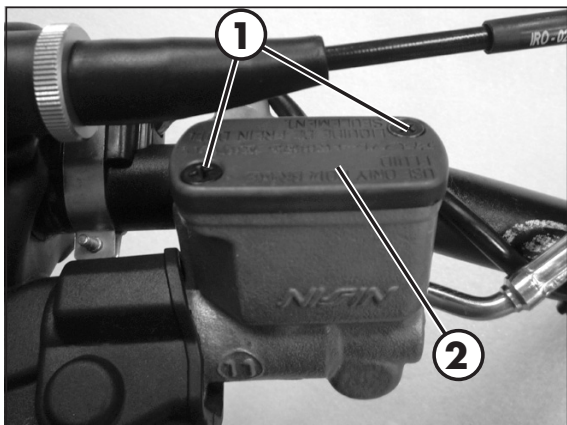
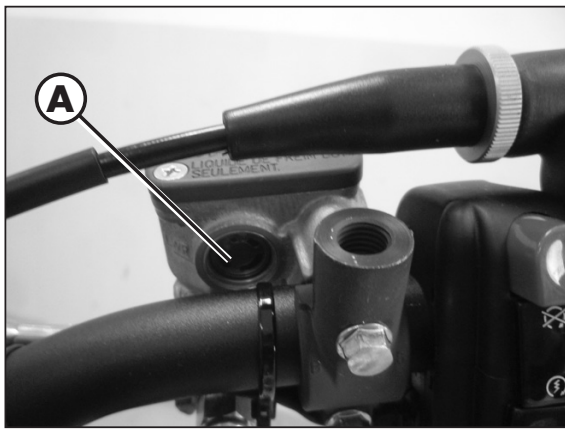
When replacing the spark plug, screw it in by hand until it stops, then tighten with a wrench.



WARNING:

Do not check while the engine is hot.





FRONT BRAKE

CHECK THE LEVEL OF THE FRONT BRAKE FLUID

Check the level of the brake fluid through sight **A**. The level of the fluid should never fall below the mark in the sight.

RESTORING THE LEVEL OF THE FRONT BRAKE FLUID

To restore the level of the brake fluid, loosen the two screws **1**, lift cap **2** and add brake fluid until its level is 5 mm below the upper rim of the reservoir.

Use the liquid indicated on page 13 in the "Recommended lubricants and liquids" table.



WARNING:

The brake fluid is extremely corrosive. Take care not to spill it on the paintwork.



Wear appropriate protective clothing and protection gloves.



Keep coolant out of reach of children.



WARNING: Avoid any direct contact of the liquid with skin, eyes or clothing. If this happens:

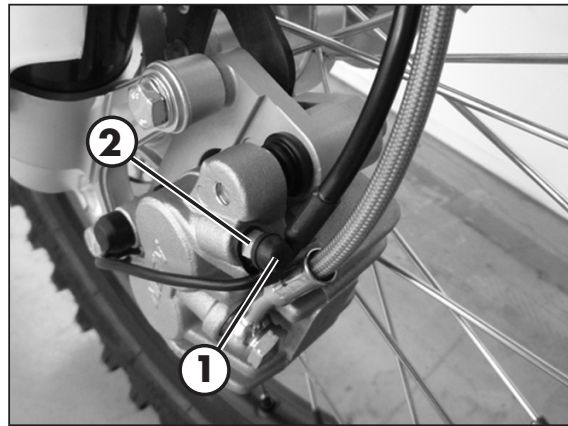
- with the eyes, rinse immediately with plenty of water and seek medical advice.
- with skin, immediately clean contaminated areas with soap and water. Change clothing that is contaminated with liquid.

If liquid is swallowed, contact a doctor immediately.

BLEEDING THE FRONT BRAKE

To bleed air from the front brake circuit, proceed as follows:

- Remove the rubber cap **1** from the valve **2**.
- Open the sump cap.
- Place one end of a small transparent tube into the valve **2**, and the other end inside a container.
- Pump with the brake lever 2/3 times and keep the lever pressed.
- Unscrew the valve and let the oil drain.
- If air is still visible in the tube repeat above operation until obtaining a continuous outflow of oil without air bubbles.
- Close the valve and release the lever.



NOTE:

during this procedure, continuously top up the brake pump tank to replace the oil that is out flowing.

- Remove the tube.
- Replace the rubber cap.
- Close the oil reservoir cap.

Use the liquid indicated on page 13 in the "Recommended lubricants and liquids" table.



WARNING:

The brake fluid is extremely corrosive. Take care not to spill it on the paintwork.



Wear appropriate protective clothing and protection gloves.



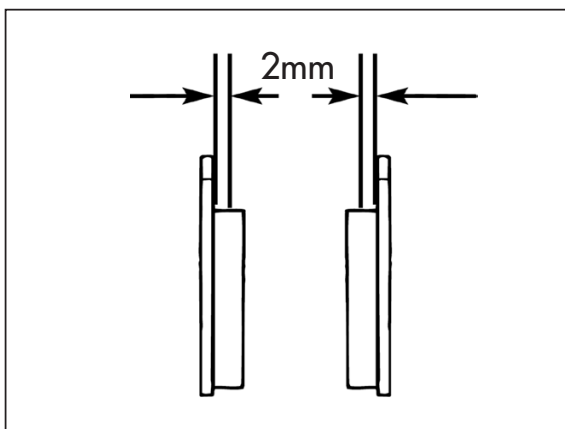
Keep coolant out of reach of children.



WARNING: Avoid any direct contact of the liquid with skin, eyes or clothing. If this happens:

- with the eyes, rinse immediately with plenty of water and seek medical advice.
- with skin, immediately clean contaminated areas with soap and water. Change clothing that is contaminated with liquid.

If liquid is swallowed, contact a doctor immediately.



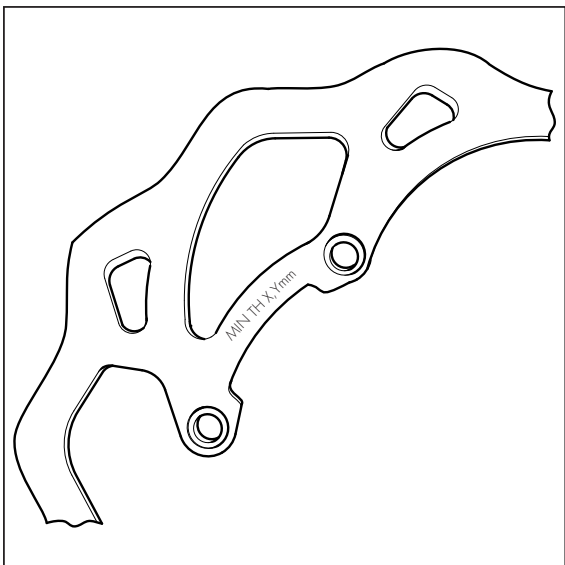
FRONT BRAKE LINING CONTROL

In order to verify the wear condition of front brake is enough to view the caliper from the bottom, where is possible to glimpse the brake lining tails which will have to show a brake of 2 mm in thickness. If the stratum is lesser let's start replacing them.

NOTE:

Perform the check according to the times shown in the table on page 73.

To replace, contact authorised Betamotor customer service.



BRAKE DISC THICKNESS CONTROL

Periodically verify disc condition. In case signs of damage , veins, or deformations are present, proceed with replacement. Verify disc thickness. The minimum thickness is engraved on the disc.

Once the limit is in proximity or has been reached, proceed with brake disc replacement.

For replacement, contact an authorised Betamotor after-sales service centre.

REAR BRAKE

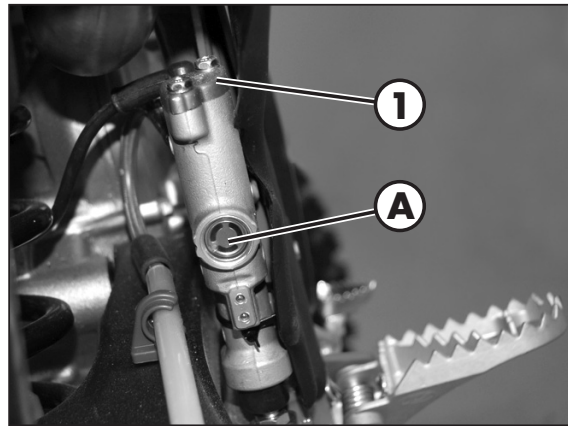
CHECK THE LEVEL OF THE REAR BRAKE FLUID

Check the level of the brake fluid through sight **A**. The level of the fluid should never fall below the mark in the sight.

RESTORING THE LEVEL OF THE REAR BRAKE FLUID

To restore the oil level, top up by means of oil filler cap **1**.

Use the liquid indicated on page 13 in the "Recommended lubricants and liquids" table.



WARNING:

The brake fluid is extremely corrosive. Take care not to spill it on the paintwork.



Wear appropriate protective clothing and protection gloves.



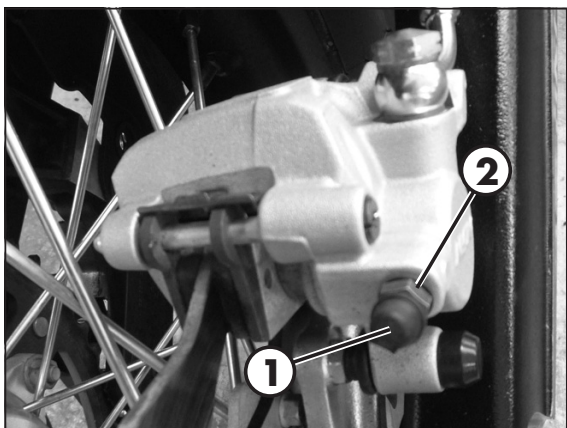
Keep coolant out of reach of children.



WARNING: Avoid any direct contact of the liquid with skin, eyes or clothing. If this happens:

- with the eyes, rinse immediately with plenty of water and seek medical advice.
- with skin, immediately clean contaminated areas with soap and water. Change clothing that is contaminated with liquid.

If liquid is swallowed, contact a doctor immediately.



BLEEDING THE REAR BRAKE

To bleed air from the rear brake circuit, proceed as follows:

- Remove the rubber cap **1** from the valve **2**.
- Open the sump cap.
- Place one end of a small transparent tube into the valve **2**, and the other end inside a container.
- Pump with the brake lever 2/3 times and keep the pedal pressed.
- Unscrew the valve and let the oil drain.
- If air is still visible in the tube repeat above operation until obtaining a continuous outflow of oil within no air bubbles.
- Close the valve and release the lever.

NOTE:

During this procedure, continuously top up the brake pump tank to replace the oil that is out flowing.

- Remove the tube.
- Replace the rubber cap.
- Close the oil reservoir cap.

Use the liquid indicated on page 13 in the "Recommended lubricants and liquids" table.



WARNING:

The brake fluid is extremely corrosive. Take care not to spill it on the paintwork.



Wear appropriate protective clothing and protection gloves.



Keep coolant out of reach of children.



WARNING: Avoid any direct contact of the liquid with skin, eyes or clothing.
If this happens:

- with the eyes, rinse immediately with plenty of water and seek medical advice.
- with skin, immediately clean contaminated areas with soap and water. Change clothing that is contaminated with liquid.

If liquid is swallowed, contact a doctor immediately.

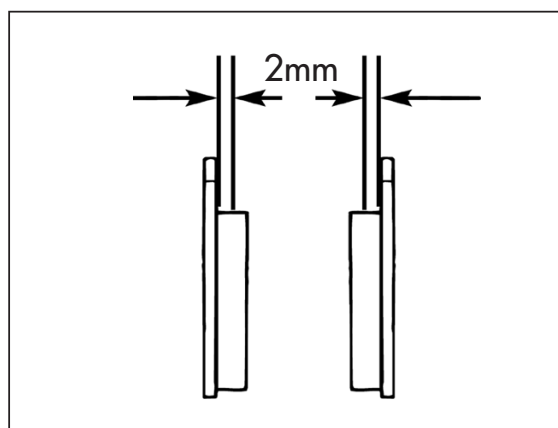
REAR BRAKE LINING CONTROL

In order to verify the wear condition of front brake is enough to view the caliper from the bottom, where is possible to glimpse the brake lining tails which will have to show a brake of 2 mm in thickness. If the stratum is lesser let's start replacing them.

NOTE:

Perform the check according to the times shown in the table on page 73.

To replace, contact authorised Betamotor customer service.

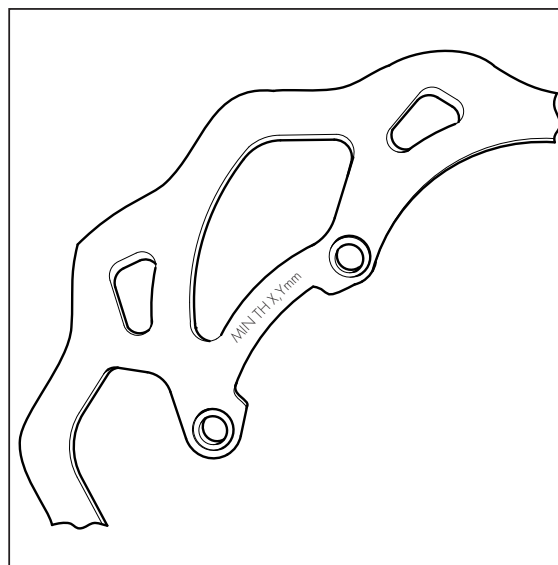


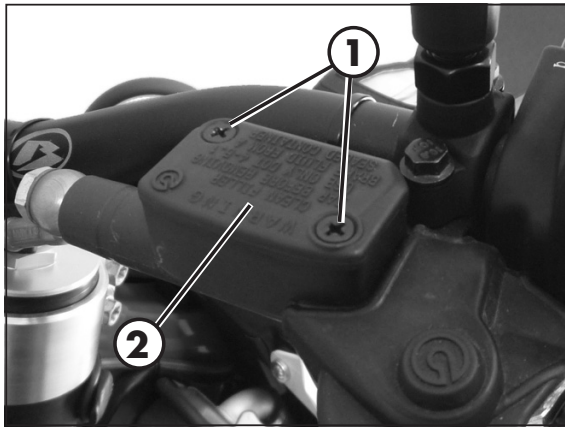
BRAKE DISC THICKNESS CONTROL

Periodically verify disc condition. In case signs of damage, veins, or deformations are present, proceed with replacement. Verify disc thickness. The minimum thickness is engraved on the disc.

Once the limit is in proximity or has been reached, proceed with brake disc replacement.

For replacement, contact an authorised Betamotor after-sales service centre.





CLUTCH CONTROL

CHECK THE LEVEL

To check the oil level in the clutch pump, first remove cover **2**.

Remove the two screws **1** and take off cover **2** together with the rubber bellows. With the clutch pump in a horizontal position, the level of the oil should be 5 mm below the upper rim.

In the case where the level is lower than specified top up.

Use the liquid indicated on page 13 in the "Recommended lubricants and liquids" table.



WARNING:

The clutch fluid is extremely corrosive. Take care not to spill it on the paintwork.



Wear appropriate protective clothing and protection gloves.



Keep coolant out of reach of children.



WARNING: Avoid any direct contact of the liquid with skin, eyes or clothing. If this happens:

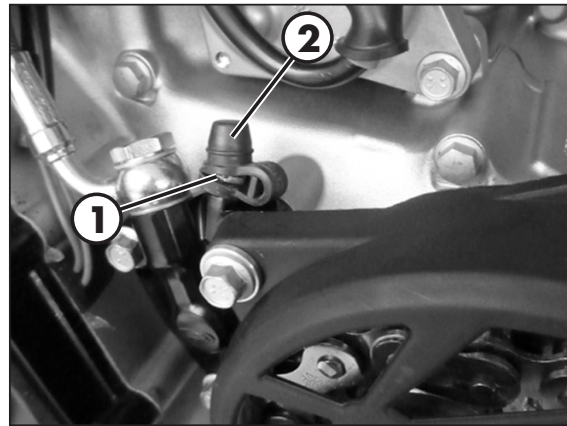
- with the eyes, rinse immediately with plenty of water and seek medical advice.
- with skin, immediately clean contaminated areas with soap and water. Change clothing that is contaminated with liquid.

If liquid is swallowed, contact a doctor immediately.

BLEEDING

To bleed air from the clutch pump, proceed as follows:

- Remove the rubber cap **1** from the valve **2**.
- Open the sump cap.
- Place one end of a small transparent tube into the valve **2**, and the other end inside a container.
- Pump with the clutch lever 2/3 times and keep the lever pressed.
- Unscrew the valve and let the oil drain.
- If air is still visible in the tube repeat above operation until obtaining a continuous outflow of oil within no air bubbles.
- Close the valve and release the lever.



NOTE:

During this procedure, continuously top up the pump tank to replace the liquid that is out flowing.

- Remove the tube.
- Replace the rubber cap.

Use the liquid indicated on page 13 in the "Recommended lubricants and liquids" table.



WARNING:

The clutch fluid is extremely corrosive. Take care not to spill it on the paintwork.



Wear appropriate protective clothing and protection gloves.



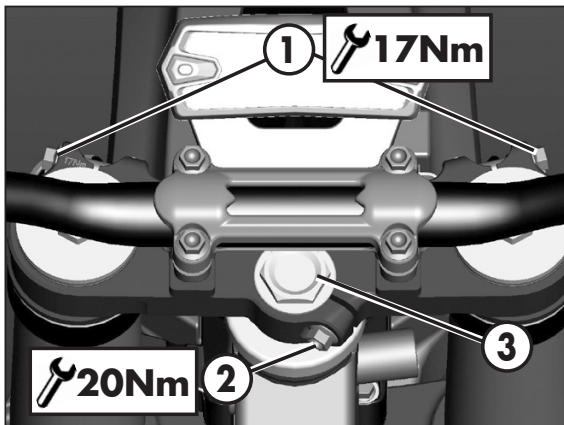
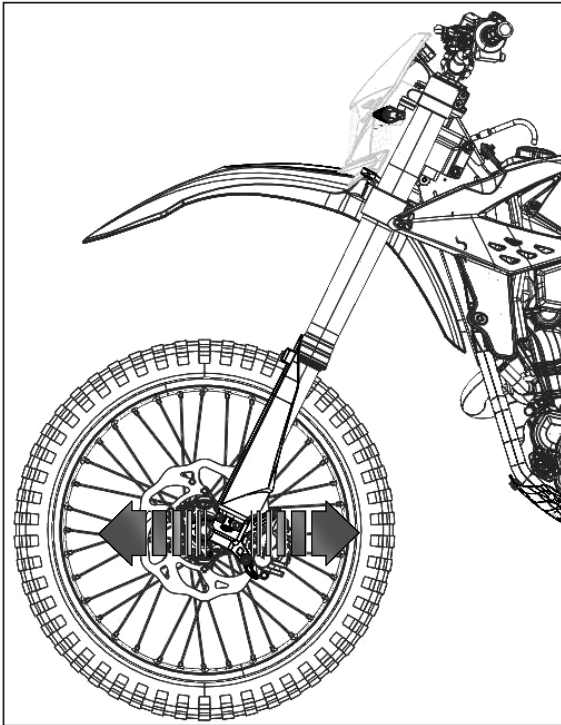
Keep coolant out of reach of children.



WARNING: Avoid any direct contact of the liquid with skin, eyes or clothing. If this happens:

- with the eyes, rinse immediately with plenty of water and seek medical advice.
- with skin, immediately clean contaminated areas with soap and water. Change clothing that is contaminated with liquid.

If liquid is swallowed, contact a doctor immediately.



CHECK AND ADJUSTING OF STEERING PLAY

Periodically check the play in the steering sleeve by moving the fork back and forth as shown in the figure. Whenever you feel play, adjust as described below:

- Loosen the screws **1**
 - Loosen the screw **2**
 - Reduce the play by turning nut **3**
- Tighten the screws to the prescribed torque values.



WARNING:

Tightening of the screws should be carried out by adjusting the torque wrench to the stability torque with repeated tightening until stability torque has been achieved.

FORK

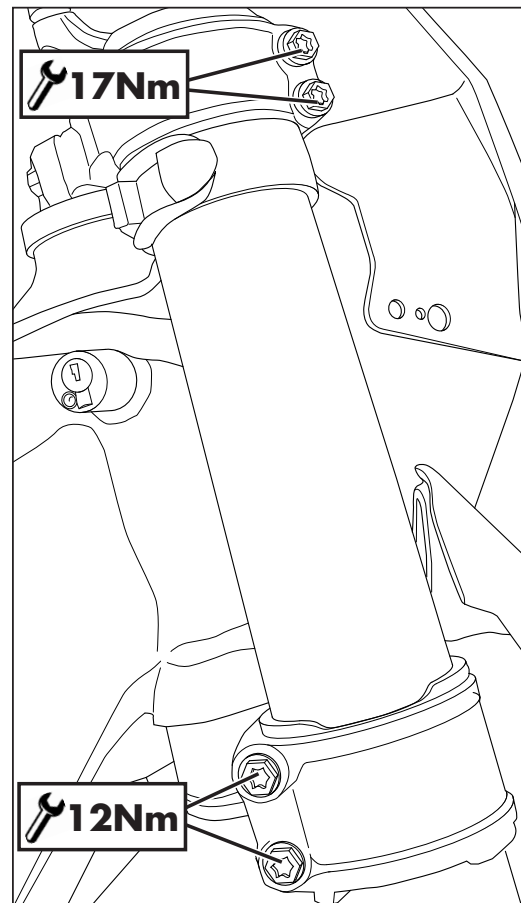
To maintenance refer at an authorized service centre Betamotor.

To check the tightening torques see as shown in the figure.



WARNING:

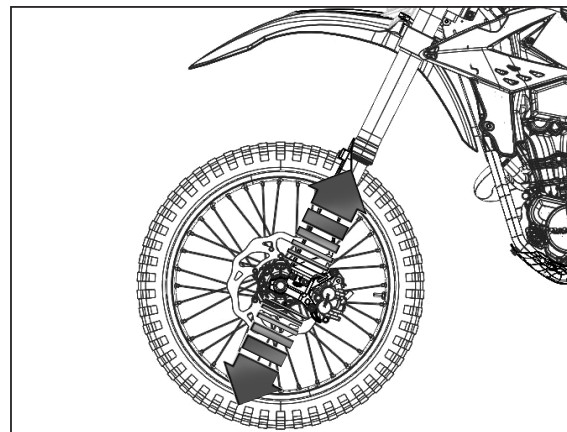
Tightening of the screws should be carried out by adjusting the torque wrench to the stability torque with repeated tightening until stability torque has been achieved.



FRONT WHEEL TIGHTENING

Following removal of the wheel:

Compress and release the fork 3-4 times.

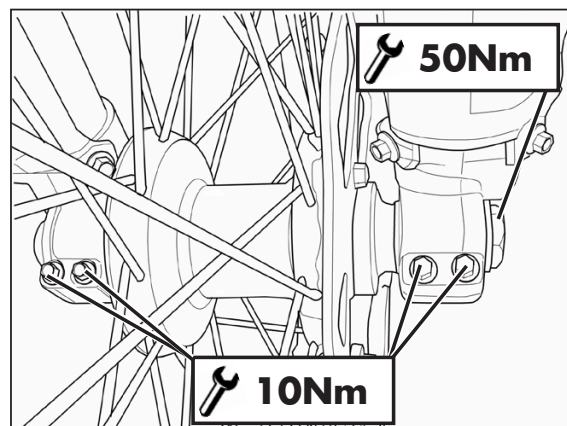


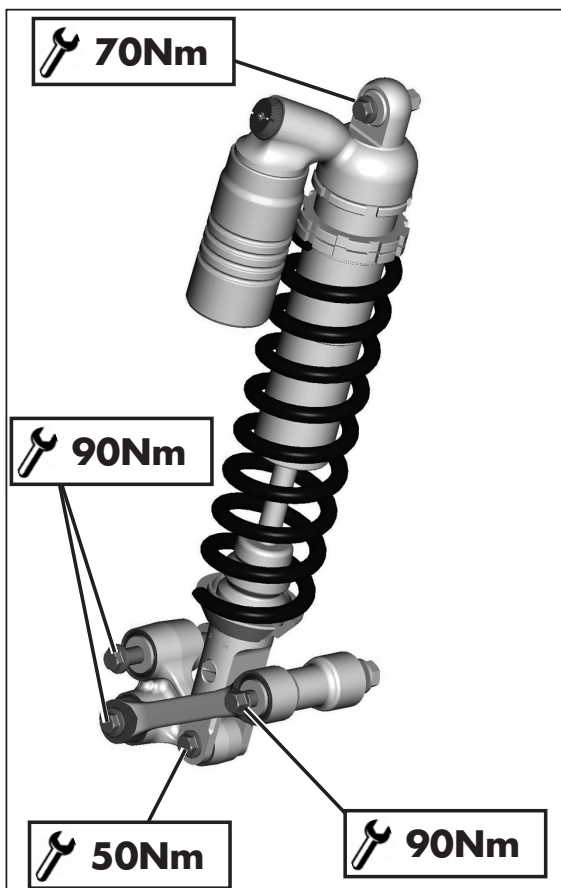
Tighten the wheel bolt and the screws of the foot-legs.



WARNING:

Tightening of the screws should be carried out by adjusting the torque wrench to the stability torque with repeated tightening until stability torque has been achieved.





REAR SUSPENSION LEVERAGE

In order to guarantee optimal operation and duration over time of the progressive leverage of the rear suspension, it is recommended to periodically check correct tightness of nuts and bolts.

Verify that suspension nuts and bolts are at the indicated torque.

TYRES

Only fit tyres approved by BETAMOTOR.

Unsuitable tyres can adversely affect the road holding of the vehicle.

- To protect your safety, immediately replace any damaged tyres.
- Slick tyres adversely affect the road holding of the vehicle, especially on wet roads and in off-road riding.
- Insufficient pressure results in abnormal wear and overheating of the tyres.
- The front and rear tyres must have the same tread design.
- Always measure the inflating pressures when the tyres are cold.
- Keep the tyre pressures within the prescribed range.

CHAIN

Checking the drive chain periodically to ensure longer chain life. Always keep it lubricated and clean of deposited dirt.

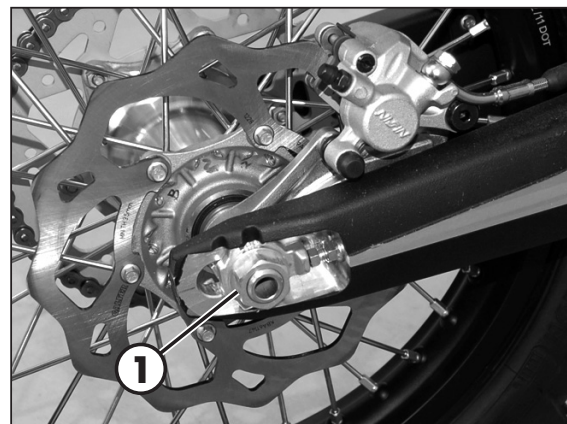
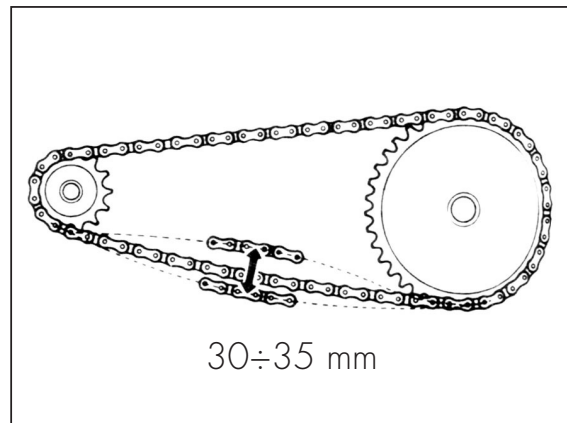
Take special care in preventing the lubricant from coming into contact with the rear tyre or brake disc, otherwise the tyre grip and the action of the brake would be greatly reduced, making it very difficult to control the vehicle.

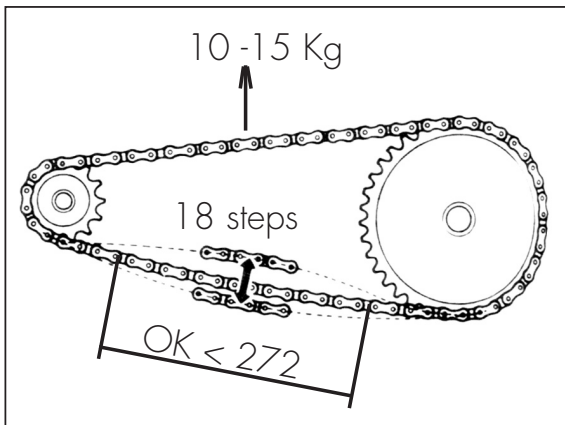
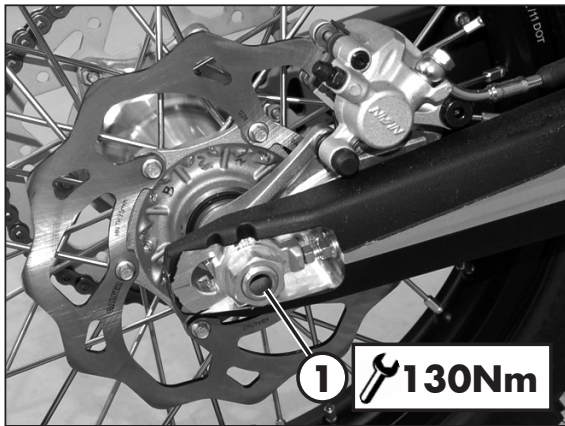
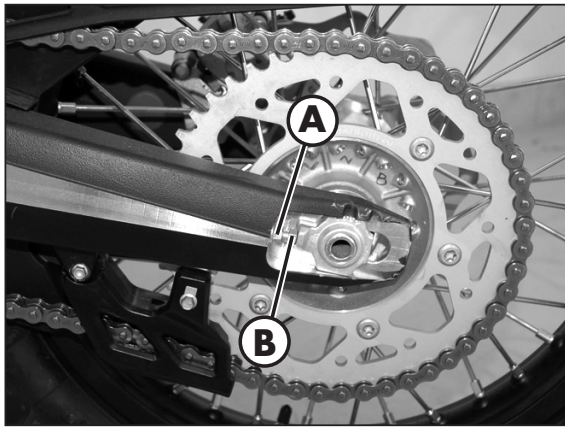
CHECK AND ADJUST TIGHTENING CHAIN

Position the drive on a flat base ensuring stability.

If the chain play exceeds $30\div 35$ mm tension the chain.

- Loosen the pin **1**.





- Loosen conternuts **A** on either side of the fork.
- Turn adjusting screws **B** on either side until the desired chain tension is obtained.
- Tighten conternuts **A** on either side of the fork.
- Tighten the pin **1** to the torque indicated.

CHECK FOR CHAIN WEAR

Shift into neutral, pull up the upper stretch of the chain with a force of 10 - 15 kg (see figure). Measure the length of 18 links on the lower stretch of the chain. If the length is ≥ 272 mm, replace the chain. Chains do not always wear evenly. For this reason it is important that the measurement is taken at different points along the chain.

When fitting a new chain, be sure to replace the chainring and sprocket as well. New chains wear more quickly if fitted on old and worn sprockets. After replacing the chain, adjust its tension as described on page 63.

HEADLIGHT

Keep the headlight glass clean at all times (see page 69).

Periodically check the correct angle of the light beam.

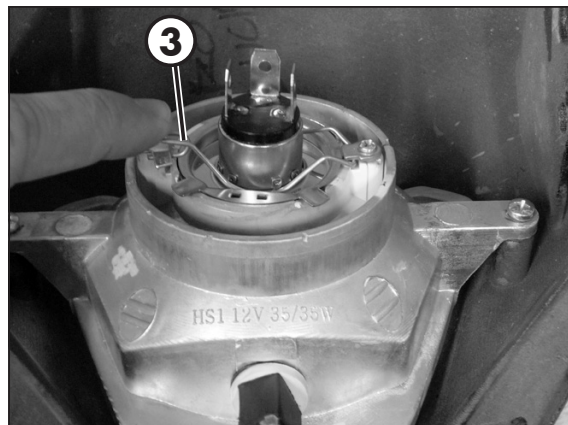
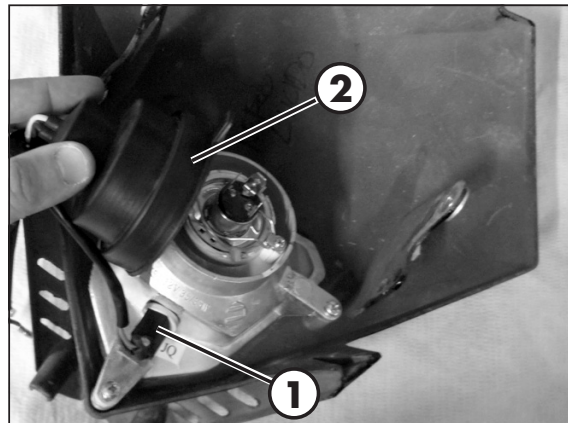
REPLACING THE HEADLIGHT BULBS

Release both spring washers and move forward the lamp holder front cowl.

Carefully remove the headlight bulb **1** together with lamp holder. To replace the high beam / low beam, lift the rubber cover **2**, release connector, push on the spring **3** and remove the lamp holder and replace the light bulb with a new one. Be careful not to touch the bulb so as not to compromise its efficiency.

To refit, follow the procedure above but in reverse order.

Fasten the lamp holder front cowl to the supporting pins and fix it with the two elastics.

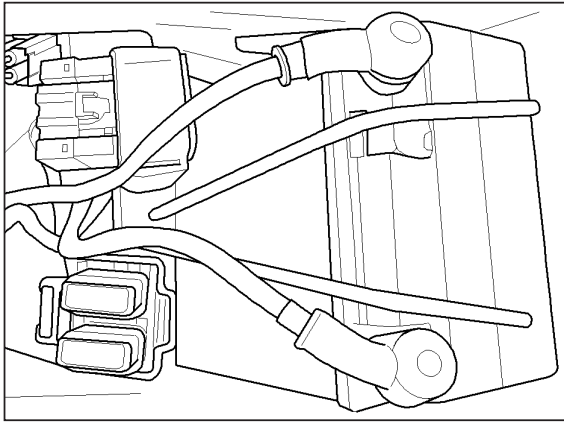


TAIL LIGHT

Keep the tail light glass clean at all times (see page 69).

The LED tail light is sealed. In the case of burnout of one or more LEDs it is necessary to replace the entire group.

To replace, contact authorised Betamotor customer service.



BATTERY

Battery is located under the saddle and requires no maintenance.

Keep the battery terminals clean. If necessary, protect them with a thin film of acid-free grease.



WARNING:

The battery contains hazardous substances:

- Keep the batterie out of the reach of children.



- Keep sparks and open flames away from the battery.



- Charge the battery only in well-ventilated areas, keeping it away from flammable materials. Use only chargers suitable for charging lithium-ion batteries.

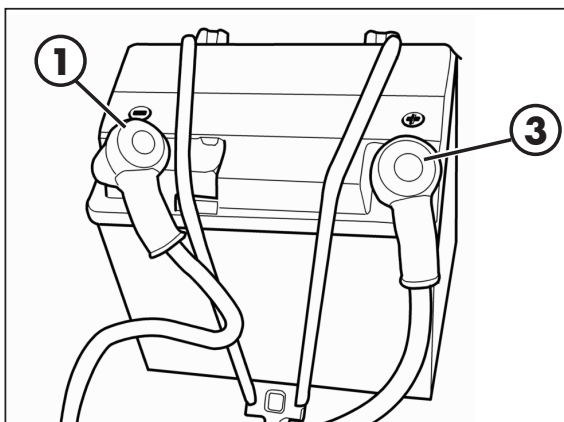


- Do not attempt to charge fully exhausted batteries with a voltage lower than the minimum 9V. In this case, dispose of the battery according to applicable regulations.



- Do not remove the protections.

- When installing the battery, be sure to observe the polarity of the terminals.



BATTERY REMOVAL

Shut off all electrical users and stop the engine.

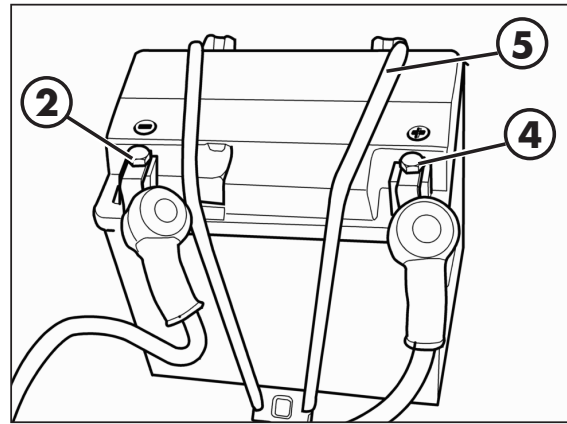
Remove the saddle (page 78).

FIRST remove the cap **1** of the negative pole and disconnect the negative lug **2** (black) from the negative pole.

THEN remove the cap of the positive pole **3** and disconnect the positive lug **4** (red) from the positive pole (+).

Release the rubber band **5**.

Remove the battery.



BATTERY ASSEMBLY

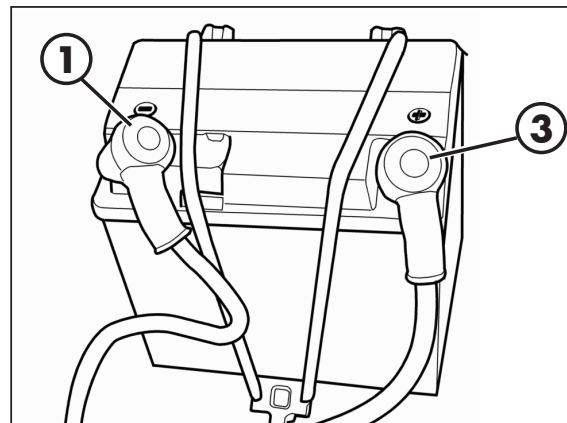
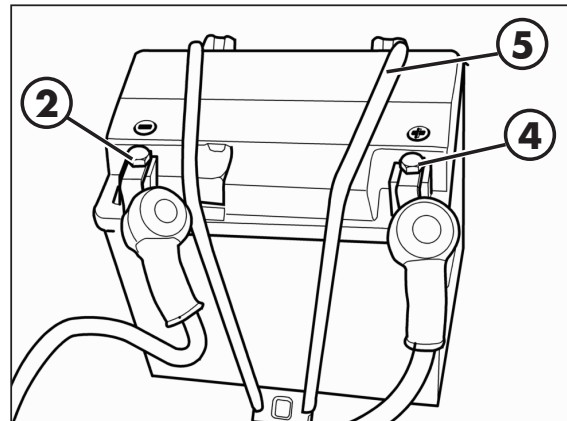
When fitting the battery, insert it with the terminals as shown in picture.

Reattach the rubber band **5**.

FIRST Connect the positive lug **4** (red) to the positive pole (+) of the battery by pushing the protective cap **3** in its position.

THEN secure the negative lug **2** (black) to the negative pole (-) of the battery by bringing the relative protective cap **1** in position.

Refit the saddle (page 78).



INACTIVITY

If the vehicle is not going to be used for a long time:

- remove the battery (page 66).
- charge with an adequate charger (page 68).
- store the battery in a dry place. The ideal temperature for storing the lithium-ion battery is 20°C.



CHARGING THE BATTERY

Check the battery charge using a multi-meter or by pressing the "TEST" button on the battery

- Voltage < 9V or "LOW":
 - Do NOT charge the battery
 - Replace the battery with a new equivalent one
- Voltage < 12.4V or "MED":
 - Charge the battery

Guidelines to charge the battery:



Use ONLY chargers suitable for charging lithium-ion batteries.

Maximum charging voltage: 14.4V

Maximum charging current: 3.0A

Maximum charge time: 12h

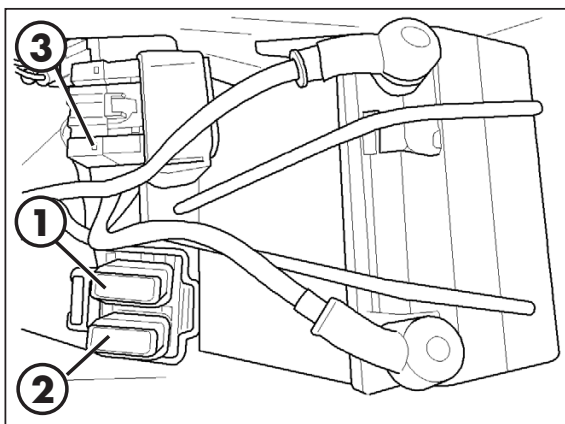
Recharge the battery regularly with a specific battery charger when the vehicle is not used for more than 6 months

Ideal temperature for charging lithium ion batteries: 20 °C.

FUSES

To access the fuse, remove the saddle (page 78).

Fuse **1**: in the event of a blown fuse, the services listed in the table are not operational:



Rear lights
Stop
Front lights
Tachometer and control lights
Turn lights
Klaxon
Electric fan (optional)

Fuse **2**: in the event of a blown fuse, the vehicle stops/does not start.

Fuse **3**: in the event of a blown fuse, the vehicle does not start/stops.



Three spare fuses comes with the kit accompanying the vehicle.



A blown fuse should only be replaced with another of the same type. Should the new fuse also burn out when fitted, immediately contact a specialized BETAMOTOR dealer.

CLEANING THE VEHICLE

GENERAL PRECAUTIONS

-  **WARNING:** Do not clean your vehicle with a high-pressure device with a strong jet of water. Excessive pressure can reach electrical components, connectors, flexible cables, bearings, etc and can damage or destroy them.
-  **WARNING:** Wash motorbikes frequently with cold water that are used near the sea (salty air) and on roads subject to salt spreading in winter. Cover with a film of oil or silicone spray unpainted parts and the most exposed parts such as wheels, forks and swingarm. Do not treat rubber parts and brakes.

When cleaning, avoid direct exposure to sunlight.

Close off the exhaust system to prevent water from entering.

-  Avoid directing the jet of water onto the air filter box cover and the throttle body.

WASHING MODE



Use water jet to soften the dirt and mud accumulated on the paintwork, then remove them with a soft bodywork sponge soaked in water and shampoo. Subsequently rinse well with water, and dry with air and cloth or suede leather.

Detergents pollute water. Always wash the vehicle in areas equipped for collection and purification of the washing liquids.

AFTER WASHING

Proceed to the emptying of the filter box using the appropriate ventilation and drying.

After cleaning, ride a short distance until the engine reaches operating temperature.

-   **WARNING:** braking effect is reduced with wet brakes. Operate the brakes cautiously to allow them to dry.

Push back the handlebar control covers, so that water can evaporate.

When the bike is completely dry and cooled down, lubricate all moving parts.

Treat all plastic and painted components with non-aggressive detergents or products that are specific for the care of the motorcycle.

4

To prevent malfunction of the electrical system, treat electric contacts and switches with electrical contact spray.

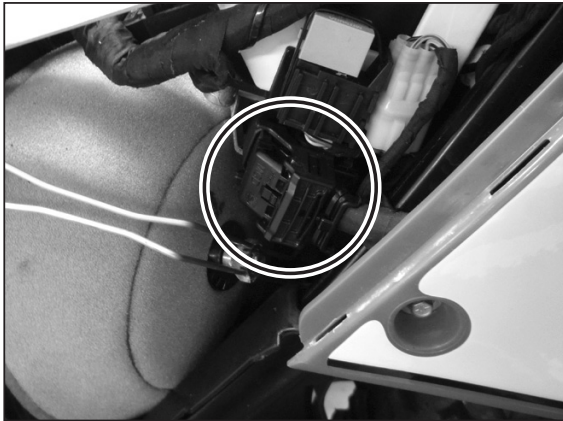
⊘ ATTENTION: any oxidation of electrical contacts may result in serious malfunctioning to the power supply system.

Specifically, treat the battery poles as described on page 66 and pay particular attention to what is contained here below.

CHECKS AND MAINTENANCE

ELECTRICAL CONNECTOR MAINTENANCE

Disconnect the connectors listed below, blow compressed air on the connector both on the system and on the component side, and treat electrical contacts and switches with spray for electrical contacts.



CONTROL UNIT CONNECTOR

The connector is positioned as indicated in figure.

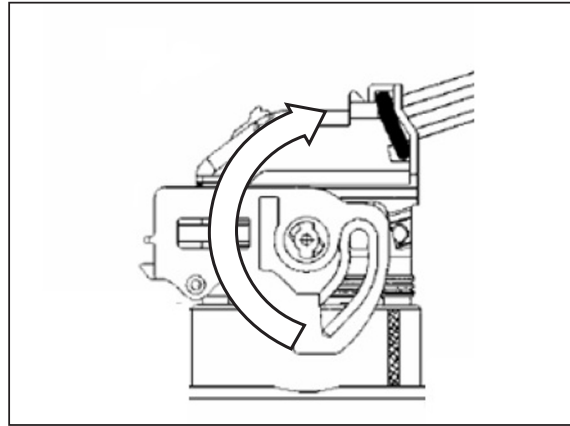
To access it, remove the air filter cover side (page 79).



To remove the connector one must:
1) press the lock device;

- 2) rotate the safety device as shown;
- 3) remove the connector.

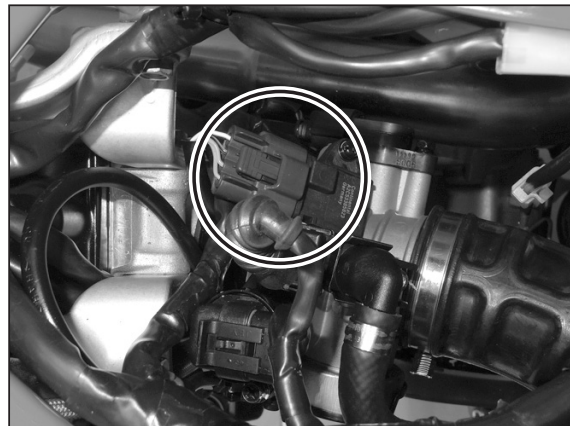
For re-assembly, proceed opposite the above-mentioned order.



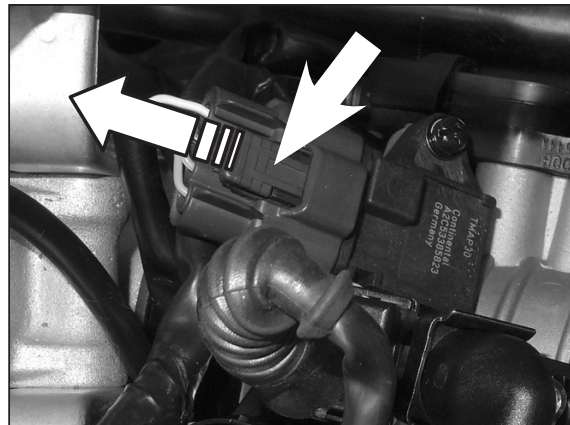
AIR PRESSURE AND TEMPERATURE SENSOR

Remove the tank (page 80).

The connector is positioned as indicated in figure.



- 1) press the lock device;
- 2) Pull the connector upwards.



For re-assembly, proceed opposite the above-mentioned order.

Attention: at the end of the operation ensure that the connector is blocked.



4 PROLONGED INACTIVITY

A few simple operations should be performed to keep the vehicle in good condition whenever it is to remain inactive for a long period (e.g. during the winter):

- Thoroughly clean the vehicle.
- Reduce the tyre pressures by approximately 30 percent, and if possible raise the tyres off the ground.
- Cover the unpainted parts, excepting the brakes and the rubber parts, with a film of oil or spray silicone.
- Remove the battery (page 66) and follow the instructions for inactivity (page 67) and recharging (page 68).

AFTER PROLONGED INACTIVITY

- Reinstall the battery.
- Restore the tyre inflating pressures.
- Check the tightening of all the screws having an important mechanical function.

SCHEDULED MAINTENANCE VEHICLE

4

		End of running-in - 3 hours	Coupon 1 - 30 hours	Coupon 2 - 60 hours	Coupon 3 - 90 hours	Coupon 4 - 120 hours	Coupon 5 - 150 hours	Coupon 6 - 180 hours
Engine	Engine oil	S	S	S	S	S	S	S
	Paper filter oil	S	S	S	S	S	S	S
	Wire netting filter oil	P	P	P	P	P	P	P
	Gear and clutch oil	S	S	S	S	S	S	S
	Engine clamping screws	C	C	C	C	C	C	C
	Head screws	T						
	Kick start and gearchange lever screws	C	C	C	C	C	C	C
	Spark plug cap	P	P	P	S	P	P	S
	Spark plug	C		S		S		S
	Breather pipe	C	C	C	C	C	C	C
	Countershaft bearings				S			S
	Crankshaft bearings				S			S
	Connecting rod				S			S
	Piston and segments				S			S
	Cylinder				C			C
	Surface appearance of the cams				C			C
	Valve clearance	C	C	C	C	C	C	C
	Valves				C			S
	Valve guide wear				C			C
	Valve spring				C			S
	Clutch disc wear		C	C	S	C	C	S
	Clutch springs		C	C	S	C	C	S
	Clutch hub - basket wear		C	C	C	C	C	C
	Gearbox bearing (crankcase side)				S			S
	Surface appearance of the gearbox				C			C
	Water pump seals				S			S
Oil pump control gears				S			S	

Key

- C Check** (Clean, adjust, lubricate, replace as necessary)
- S Replace/renew**
- R Adjust**
- P Clean**
- T Tighten**

The required engine maintenance is strongly depending on the level of use and on the accordingly done periodic checks and service.
The mentioned maintenance intervals are for the normal use of the vehicle, subject to the condition that the engine was never running under extraordinary conditions and the periodic service was done accurately.

CHECKS AND MAINTENANCE

		End of running-in - 3 hours	Coupon 1 - 30 hours	Coupon 2 - 60 hours	Coupon 3 - 90 hours	Coupon 4 - 120 hours	Coupon 5 - 150 hours	Coupon 6 - 180 hours
Assembling groups	Coolant system tightness and coolant level	C	C	C	C	C	C	C
	Exhaust manifold tightness	C	C	C	C	C	C	C
	Drives sliding and regulation	C	C	C	C	C	C	C
	Liquid level clutch pump	C	C	C	C	C	C	C
	Airbox and air filter	P	P	P	P	P	P	P
	Chain, plate wheel and pinion	C	C	C	C	C	C	C
Brake	Liquid level, pads thickness	C	C	C	C	C	C	C
	Disc thickness	C	C	C	C	C	C	C
	Pipe tightness	C	C	C	C	C	C	C
	Idle travel levers and drives sliding	C	C	C	C	C	C	C
Cycling	Shock absorber and telescopic fork tightness	C	C	C	C	C	C	C
	Rear suspension linkage	C	C	C	C	C	C	C
	Dust seal	C	C	C	C	C	C	C
	Fuel lines	C	C	C	C	C	C	C
	Bearings of steering	C	C	C	C	C	C	C
	Bolts	T	T	T	T	T	T	T
Wheels	Wheel spokes and rim coaxiality	C	C	C	C	C	C	C
	Tyres (wear and pressure)	C	C	C	C	C	C	C
	Bearings clearance	C	C	C	C	C	C	C

Key

- C Check** (Clean, adjust, lubricate, replace as necessary)
- S Replace/renew**
- R Adjust**
- P Clean**
- T Tighten**

WARNING:

For any service requirements, please contact Betamotor's Authorized Service Network.

TIGHTENING TORQUE OVERVIEW

Here below is an overview of the tightening torque of all pieces subject to adjustment or maintenance:

Forecarriage		
	Tightening torque [Nm]	Threadlock
Wheel pin	50	
Fork foots - wheel pin	10*	
Brake caliper - Fork	35	M
U-bolt fork tube protection	1,5	
Steering head base - fork legs	12*	
Steering head - fork legs	17*	
Stem pin on steering head	20	
Lower handlebar u-bolt - steering head	40	M
Upper handlebar u-bolt - lower handlebar u-bolt	25	

Rear axle		
	Tightening torque [Nm]	Threadlock
Wheel pin	130	
Rear shock absorber - frame	70	
Rear shock absorber - rocker arm	50	
Connecting rod - frame	90	
Connecting rod - rocker arm	90	
Rocker arm - swinging arm	90	

Engine		
	Tightening torque [Nm]	Threadlock
Engine oil drain plug	15	
Paper oil filter plug	10	
Gearbox oil drain plug	20	

M Medium strength threadlock



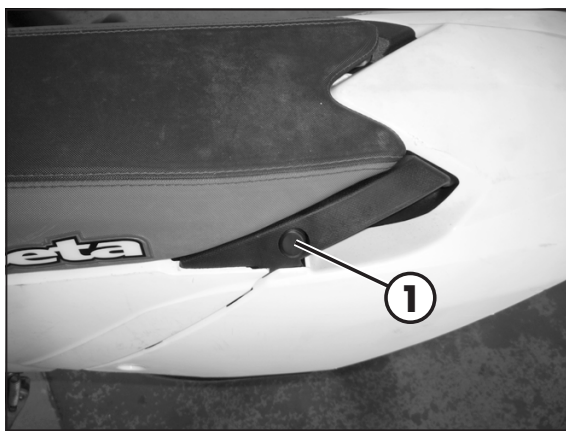
WARNING:
Tightening of the screws should be carried out by adjusting the torque wrench to the stability torque with repeated tightening until stability torque has been achieved.

Fairings		
	Tightening torque [Nm]	Notes
Fuel tank to the frame (front fixing)	10	
Fuel tank to the frame (rear fixing)	10	Grease
Fuel tank fairings to the radiator	7	

CHAPTER 5 REMOVING AND INSTALLING SUPERSTRUCTURES

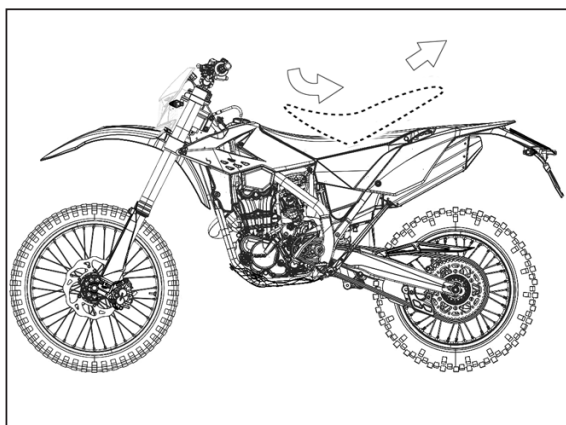
CONTENTS

Removing and installing of the saddle.....	78
Removing and installing air filter cover panel.....	79
Removing and installing of the tank	80

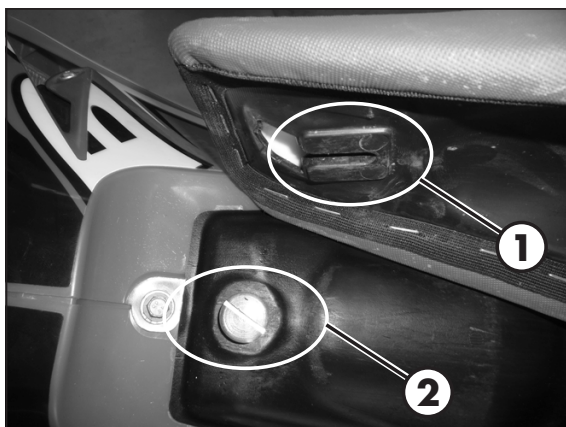


REMOVING AND INSTALLING OF THE SADDLE

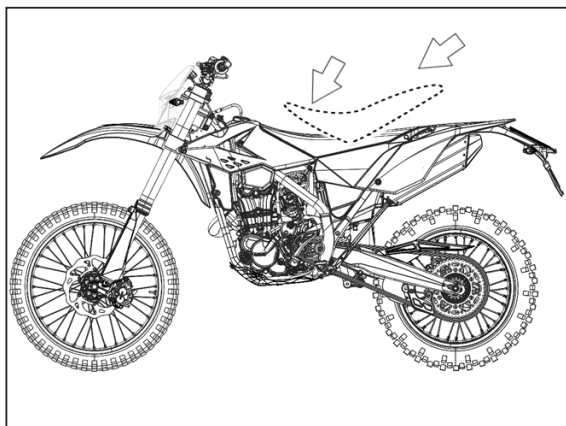
Press button **1**.



Remove the saddle towards the rear of the motorcycle.



To re-assemble:
Insert the cavity **1** of the saddle in slot **2**.

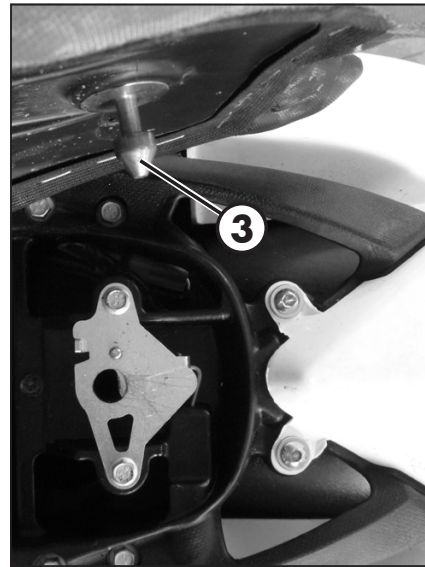


Press the saddle down in the middle and at the same time, push it forwards until the bayonet joint engages in its seat.



WARNING

Make sure the bayonet joint **3** is firmly inserted into the button lock.



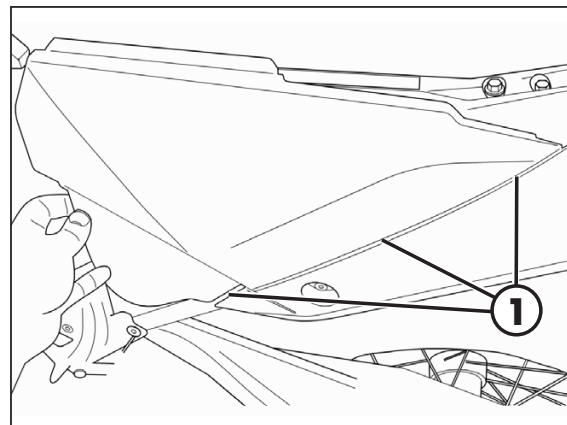
REMOVING AND INSTALLING AIR FILTER COVER PANEL

Remove the saddle (page 78).

Grab the side panel in the front side and pull out.

To refit insert the tabs **1** into their slots.

Slide the side panel toward the vehicle.





REMOVING AND INSTALLING OF THE TANK

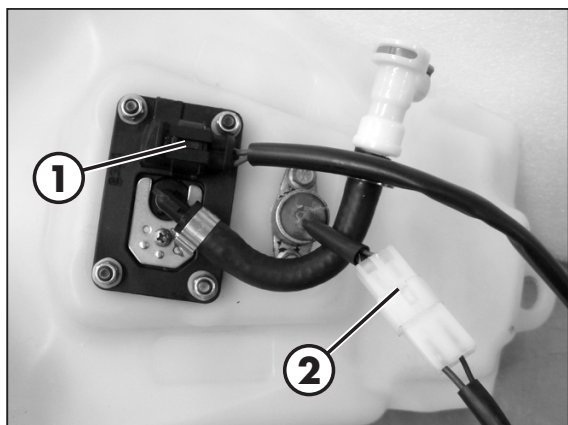
Remove the saddle (page 78).

Remove the two screws fastening the tank to the frame and the screw (one per side) securing the fairing to the radiator.



Disconnect the fuel hose by pressing the appropriate button of the quick coupling.

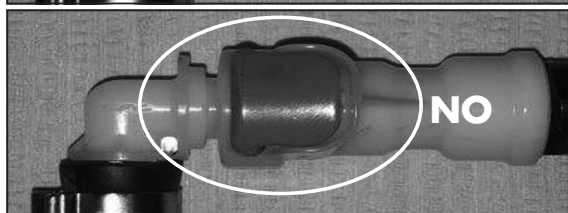
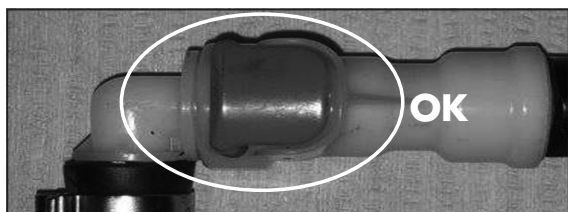
Lift the tank.



Disconnect the electrical connector **1** and **2**.

Remove the tank with its fairings.

Reassemble proceeding in the reverse order.



WARNING

For safety reason, the fuel flow is stopped when the connector is even partially engaged.

Make sure that the fuel quick release fittings are well inserted.


CHAPTER 6 TROUBLESHOOTING

CONTENTS

Troubleshooting	82
Alphabetical index	83

6 TROUBLESHOOTING

TRUBLESHOOTING

PROBLEM	CAUSE	REMEDY
The engine starts but the telltale "MIL" lights on 	Engine management system fault	Contact authorised BETAMOTOR customer service
The electric starter does not turn	Decompressor failure	Contact authorised BETAMOTOR customer service
	Flat battery	Check the battery
	Blown fuse	Replace
	Defective relay	Contact authorised BETAMOTOR customer service
	Defective starter motor	Contact authorised BETAMOTOR customer service
The engine rotates, but does not start	Fuel quick release fittings incorrectly inserted	Check that the fuel quick release fittings are properly inserted (page 80).
	Spark plug dirty	Clean or replace the spark plug
	Spark gap wrongly adjusted	Restore the spark gap
	Faulty ignition/injection system	Contact authorised BETAMOTOR customer service
"High Voltage" appears on the instrument	- Overcharging	Disconnect the battery (page 66) Contact authorised BETAMOTOR customer service
The motor stops or splutters	Lack of fuel	Refuel
Engine overheats	Radiator grill blocked	Remove and clean the grill
	Radiator (air side) blocked	Clean the radiator
	Insufficient air flow	Check that the cooling fan is working correctly
	Silencer partly clogged	Contact authorised BETAMOTOR customer service
Front braking poor	Brake pads worn	Contact authorised BETAMOTOR customer service
	Air or humidity in the hydraulic circuit	Contact authorised BETAMOTOR customer service
Rear braking poor	Brake pads worn	Contact authorised BETAMOTOR customer service
	Air or humidity in the hydraulic circuit	Contact authorised BETAMOTOR customer service

ALPHABETICAL INDEX

Adjusting fork	39
Adjustment of gas clearance.....	37
Air filter	49
Battery.....	66
Brakes	36
Chain	63
Check and adjusting of steering play.....	60
Checks before and after use	30
Cleaning the vehicle.....	69
Clutch.....	36
Clutch control	58
Digital rpm indicator operating instructions.....	20
Electrical connector maintenance	70
Engine oil.....	44
Engine shut-down	32
Familiarizing with the vehicle.....	9
Fork.....	61
Front brake.....	52
Front wheel	61
Fuelling.....	31
Fuses	68
Gearbox oil	46
Handlebar adjustment	37
Headlight.....	65
Idle adjustment	37
Key to symbols.....	36
Liquid coolant.....	47

Main parts 16

Operating instructions..... 5

Prolonged inactivity 72

Rear brake 55

Rear suspension leverage 62

Recommended lubricants and liquid 13

Removing and installing air filter cover panel..... 79

Removing and installing of the saddle..... 78

Removing and installing of the tank 80

Replacing the headlight bulbs 65

Riding safety 6

Running in..... 30

Scheduled maintenance vehicle 73

Shock absorber..... 40

Spark plug 51

Specifications 10

Starting the engine 32

Suspensions settings according to the weight of the rider 42

Symbols 5

Tail light 65

Tightening torque overview 75

Tools kit 8

Troubleshooting 82

Tyres..... 62



Vehicle identification data 8

Vehicle preparation for use in heavy-duty conditions..... 33



Integrazione al manuale uso e manutenzione / Supplementary sheet of owner manual / Initiation au manuel d'entretien / Ergänzung zum Handbuch / Aanvulling handleiding gebruik en onderhoud / Integración al manual de uso y mantenimiento

RR4T Racing MY'19

DATI TECNICI	SPECIFICATIONS	CARACTÉRISTIQUES TECHNIQUES	TECHNISCHE ANGABEN	TECHNISCHE GEGEVENS	DATOS TÉCNICOS																																						
SOSPENSIONE ANTERIORE Forcella idraulica a steli rovesciati (steli Ø48 mm) a cartuccia chiusa <table border="1"> <tr><td>molla</td><td>K 4,6</td></tr> <tr><td>tipo olio</td><td>Fuchs SAE6,1</td></tr> <tr><td>quantità olio</td><td>340ml (per gamba)</td></tr> </table>	molla	K 4,6	tipo olio	Fuchs SAE6,1	quantità olio	340ml (per gamba)	FRONT SUSPENSION Hydraulic upside-down fork (Ø48 mm shafts) pressurized cartridge <table border="1"> <tr><td>spring</td><td>K 4,6</td></tr> <tr><td>oil type</td><td>Fuchs SAE6,1</td></tr> <tr><td>oil quantity</td><td>340ml (each leg)</td></tr> </table>	spring	K 4,6	oil type	Fuchs SAE6,1	oil quantity	340ml (each leg)	SUSPENSION AVANT Fourche hydraulique à tiges renversées (tiges Ø48 mm) fourche à cartouche fermée <table border="1"> <tr><td>ressort</td><td>K 4,6</td></tr> <tr><td>type d'huile</td><td>Fuchs SAE6,1</td></tr> <tr><td>Quantité huile</td><td>340ml (chaque tige)</td></tr> </table>	ressort	K 4,6	type d'huile	Fuchs SAE6,1	Quantité huile	340ml (chaque tige)	VORDERRADAUFHÄNGUNG Hydraulische Gabel umgekehrten Schäften (Schaftdurchmesser Ø48 mm) Closed cartridge <table border="1"> <tr><td>Feder</td><td>K 4,6</td></tr> <tr><td>Öltyp</td><td>Fuchs SAE6,1</td></tr> <tr><td>Ölmenge</td><td>340ml (jedes Gabelrohr)</td></tr> </table>	Feder	K 4,6	Öltyp	Fuchs SAE6,1	Ölmenge	340ml (jedes Gabelrohr)	VOORSTE OPHANGING Hydraulische vork omgekeerde stelen (stelen diam. 48 mm) en gesloten patroon <table border="1"> <tr><td>veer</td><td>K 4,6</td></tr> <tr><td>type olie</td><td>Fuchs SAE6,1</td></tr> <tr><td>hoeveelhe id olie</td><td>340ml (per poot)</td></tr> <tr><td></td><td>178cc (patroon)</td></tr> </table>	veer	K 4,6	type olie	Fuchs SAE6,1	hoeveelhe id olie	340ml (per poot)		178cc (patroon)	SOSPENSIONE DELANTERA Horquilla hidráulica con barras invertidas (barras Ø48 mm) <table border="1"> <tr><td>muelle</td><td>K 4,6</td></tr> <tr><td>tipo de aceite</td><td>Fuchs SAE6,1</td></tr> <tr><td>cantidad de aceite</td><td>340ml (para barra)</td></tr> </table>	muelle	K 4,6	tipo de aceite	Fuchs SAE6,1	cantidad de aceite	340ml (para barra)
molla	K 4,6																																										
tipo olio	Fuchs SAE6,1																																										
quantità olio	340ml (per gamba)																																										
spring	K 4,6																																										
oil type	Fuchs SAE6,1																																										
oil quantity	340ml (each leg)																																										
ressort	K 4,6																																										
type d'huile	Fuchs SAE6,1																																										
Quantité huile	340ml (chaque tige)																																										
Feder	K 4,6																																										
Öltyp	Fuchs SAE6,1																																										
Ölmenge	340ml (jedes Gabelrohr)																																										
veer	K 4,6																																										
type olie	Fuchs SAE6,1																																										
hoeveelhe id olie	340ml (per poot)																																										
	178cc (patroon)																																										
muelle	K 4,6																																										
tipo de aceite	Fuchs SAE6,1																																										
cantidad de aceite	340ml (para barra)																																										
REGOLAZIONI SOSPENSIONE ANTERIORE 1) Registro freno compressione: 14 click da tutto chiuso 2) Registro freno estensione: 12click da tutto chiuso	ADJUSTMENTS FRONT SUSPENSION 1) Adjusting the compression damper: 14 clicks from the completely closed position 2) Adjusting the rebound damper: 12 clicks from the completely closed position	RÉGLAGES SUSPENSION AVANT 1) Réglage du frein en compression: 14 déclenchements de la position, tout fermé 2) Réglage du frein en extension: 12 déclenchements de la position, tout fermé	EINSTELLUNGEN VORDERRADAUFHÄNGUNG 1) Einstellung der Druckstufe: 14 Klicks von der Position vollständig geschlossen. 2) Einstellung der Zugstufe: 12 Klicks von der Position vollständig geschlossen.	AFSTELLINGEN VOORSTE OPHANGING 1) Afstelling rem compressie: 14 kliks vanaf volledig dicht 2) Afstelling rem extensie: 12 kliks vanaf volledig dicht	REGULACIONES SUSPENSION DELANTERA 1) Regulación del freno en compresión: 14 disparos desde la posición totalmente cerrada. 2) regulación del freno en extensión: 12 disparos desde la posición totalmente cerrada																																						
 <p>1</p>					 <p>2</p>																																						



Integrazione al manuale uso e manutenzione / Supplementary sheet of owner manual / Initiation au manuel d'entretien / Ergänzung zum Handbuch / Aanvulling handleiding gebruik en onderhoud / Integración al manual de uso y mantenimiento

RR4T Racing MY'19

MANUTENZIONE FORCELLA	FORK MAINTENANCE	ENTRETIEN FOURCHE	GABELWARTUNG	ONDERHOUD VORK	MANTENIMIENTO HORQUILLA
Rivolgersi presso un'offi cina autorizzata BETAMOTOR	Contact authorised Betamotor customer service	Contactez un concessionnaire agréé BETAMOTOR	Wenden Sie sich an eine autorisierte Werkstatt von BETAMOTOR	Wend u tot een geautoriseerd atelier BETAMOTOR	Diríjase a un taller autorizado BETAMOTOR
COPPIE SERRAGGIO RUOTA ANTERIORE E PIASTRE FORCELLA ATTENZIONE: Il serraggio delle viti deve essere eseguito regolando la chiave dinamometrica alla coppia stabilita ed eseguendo il serraggio in maniera reiterata, fino al raggiungimento della coppia stabilita.	FRONT WHEEL AND TRIPLE CLAMPS TIGHTENING TORQUE WARNING: Tightening of the screws should be carried out by adjusting the torque wrench to the stability torque with repeated tightening until stability torque has been achieved.	DOUBLE VIS DE SERRAGE – ROUE AVANT ET TE DE FOURCHE ATTENTION : Le serrage des vis doit être effectué en réglant la clé dynamométrique selon le couple défini et en effectuant le serrage de manière réitérée, jusqu'à atteindre le couple défini.	ANZUGSDREHMOMENTE VORDERRAD UND GABEL ACHTUNG: Die Schrauben müssen mit einem Drehmomentschlüssel unter Beachtung des angegebenen Werts angezogen werden. Das Anziehen muss so lange wiederholt werden, bis Drehmomentsstabilität erreicht ist.	AANHAALMOMENT VOORWIEL EN PLATEN VORK LET OP: Het schroeven moeten vastgedraaid worden door de momentsleutel te regelen op het voorgeschreven aanhaalmoment en in meer momenten vast te draaien, tot het aanhaalmoment bereikt is.	DOBLE TORNILLO DE AJUSTE – HORQUILLA DELANTERA Y PLETINAS HORQUILLA ATENCIÓN: El ajuste de los tornillos se debe efectuar regulando la llave dinamoétrica según el par establecido y efectuando el ajuste repetidamente, hasta alcanzar el par establecido.

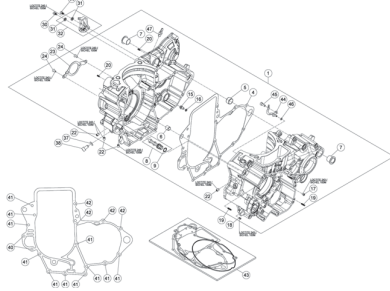
RR 4T ENDURO EFI
350/390/430/480cc MY 2019 RACING

CATALOG OF SPARE PARTS



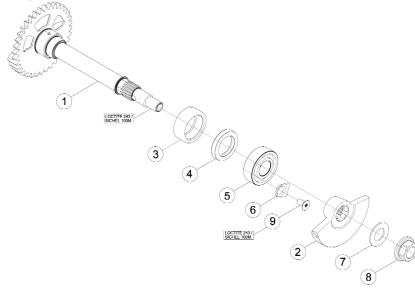
The images and content herein are the exclusive property of Betamotor SpA, which reserves all rights thereto. Any reproduction, modification, editing, dissemination, communication, exploitation in any form and way, original or derived, is strictly forbidden if not expressly approved in writing by Betamotor SpA. Any violation will be actively pursued in all relevant civil and criminal forums by Betamotor SpA.

TAV.01 Carter completo - Crankcase, assy - Carter complet - Kurbelwellengehäuse, KPL - Carter completo



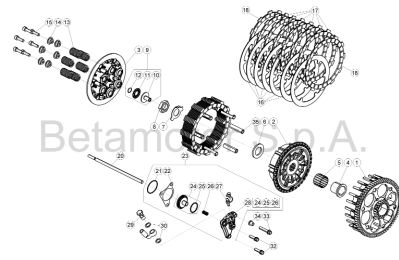
Pag. 6

TAV.02 Albero bilanciamento - Balancer Shaft - Arbre Equilibrage - Ausgleichswelle - Árbol Equilibrado



Pag. 9

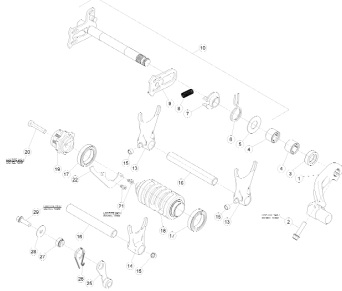
TAV.03 Frizione - Clutch - Embrayage - Kupplung - Embrague



© Copyright 2017 Betamotor S.p.A.

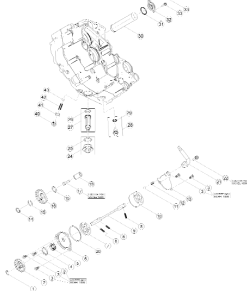
Pag. 12

TAV.05 Comando cambio - Gear shift control - Commande changement de vitesse - Chaltung - Mando cambio



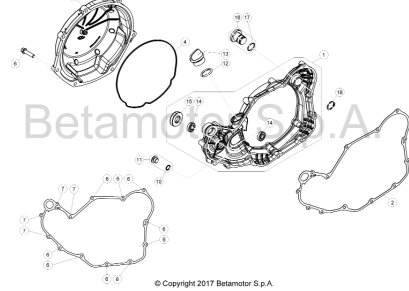
Pag. 16

TAV.08 Impianto di lubrificazione - Lubrication system - Système de lubrification - Schmieranlage - Sistema de lubricación



Pag. 18

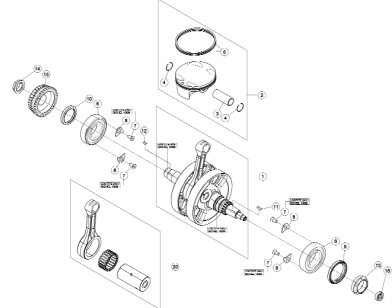
TAV.01A Coperchio frizione - Clutch cover - Couvercle d'embrague - Kupplungsdeckel - Tapa embrague



© Copyright 2017 Betamotor S.p.A.

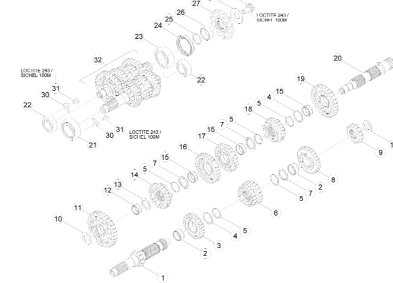
Pag. 8

TAV.02A Albero motore - Crankshaft - Vilebrequin - Kurbelwelle - Cigüeñal



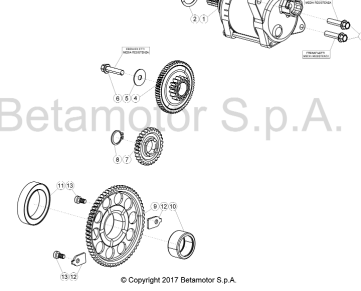
Pag. 10

TAV.04 Ingranaggi cambio - Gear group - Engrenages changement de vitesses - Schaltgetriebe - Engranaje del cambio



Pag. 14

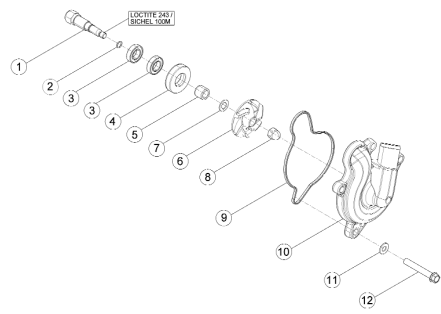
TAV.07 Avviamento elettrico - Electric starter - Dé démarrage électrique - Elektrischer start - Arranque eléctrico



© Copyright 2017 Betamotor S.p.A.

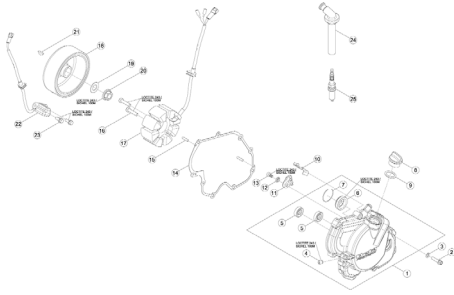
Pag. 17

TAV.09 Pompa acqua - Water pump - Pompe a eau - Wasserpumpe - Bomba agua



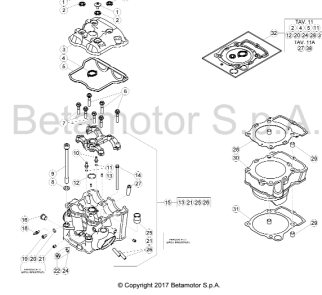
Pag. 20

TAV.10 Gruppo accensione elettronica - Electronic ignition assy. - Groupe allumage électronique - Elektronischezündung gruppe - Grupo encendido electrónico



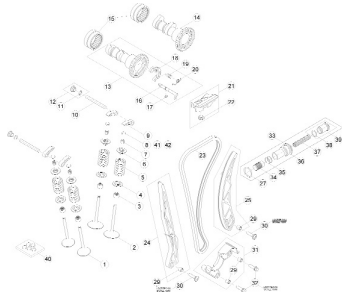
Pag. 21

TAV.11 Cilindro completo - Cylinder, assy - Cylindre complet - Zylinder, KPL. - Cilindro completo



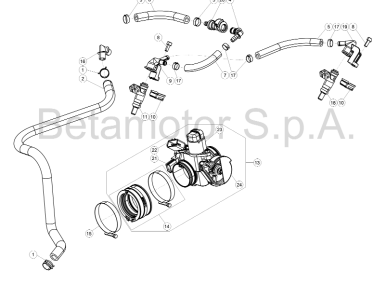
Pag. 22

TAV.11A Valvole-Catena distribuzione - Valves-Timing chain - Soupapes-Chaîne de distribution - Ventil-Steuerkette - Válvulas-Cadena de distribución



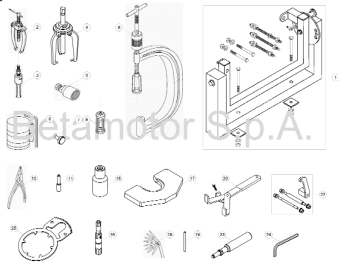
Pag. 24

TAV.13 Gruppo iniezione - Injection unit - Groupe injection - Einspritzung - Grupo iniección



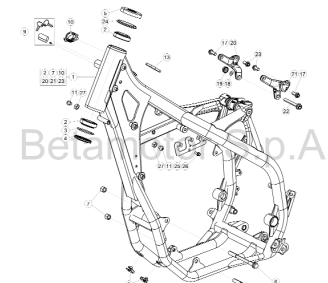
Pag. 28

TAV.14 Attrezzatura specifica - Special tools - Outillage spéciale - Spezialwerkzeug - Utillaje específico



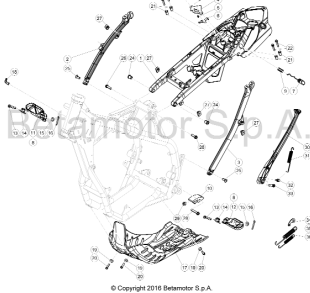
Pag. 30

TAV.31 Telaio - Frame - Chassis - Rahmen - Chasis



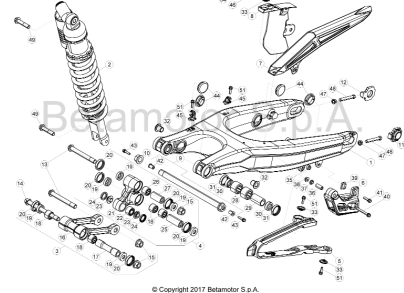
Pag. 32

TAV.32 Accessori telaio - Frame accessories - Accessoires chassis - Rahmzubehören - Accesorios Chasis



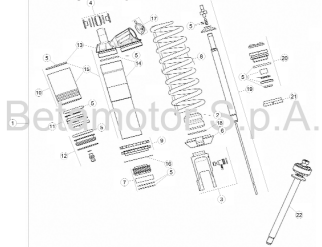
Pag. 34

TAV.33 Forcellone posteriore - Rear fork - Fourche arrière - Hinterradschwinge - Horquilla posterior



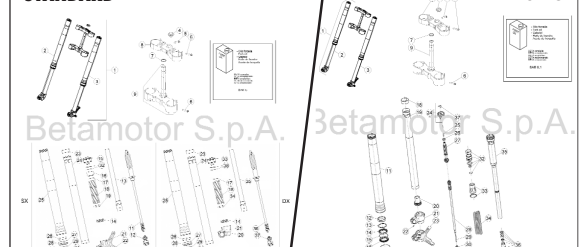
Pag. 36

TAV.33A Ammortizzatore posteriore - Rear damper - Amortisseur arrière - Hinterer Stoßdämpfer - Amortiguador posterior



Pag. 38

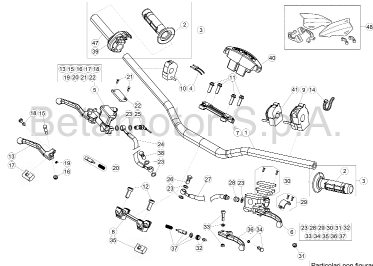
TAV.34 Forcella anteriore - Front fork - Fourche AV. - Vorderradgabel - Horquilla delantera



Pag. 40

Pag. 42

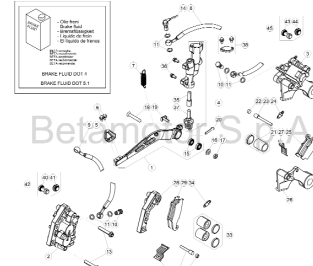
TAV.35 Comandi-Manubrio - Controls-Handlebars - Commandes-Guidon - Bedienungselemente-Lenker - Mandos-Manillar



© Copyright 2018 Betamotor S.p.A.

Pag. 44

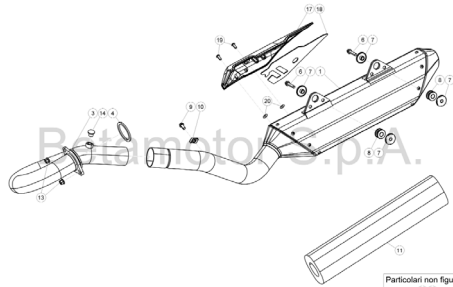
TAV.36 Impianto freni idraulici - Hydraulic brakes system - Installation des freins hydrauliques - Hidraulischebremse anlage - Instalació n freno hidràulic



© Copyright 2018 Betamotor S.p.A.

Pag. 46

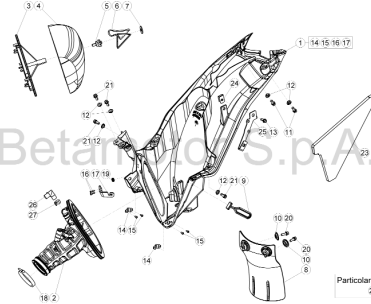
TAV.37 Gruppo scarico - Exhaust system - Echappement - Auspuffanlage - Grupo escape



© Copyright 2017 Betamotor S.p.A.

Pag. 48

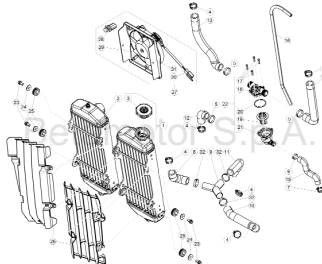
TAV.38 Scatola filtro - Filter box - Boî tier du filtre - Sicherungskasten - Caja del filtro



© Copyright 2017 Betamotor S.p.A.

Pag. 49

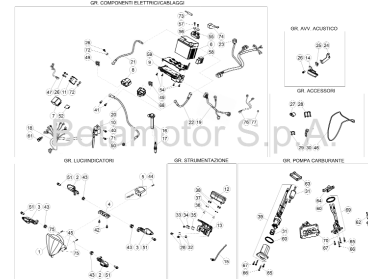
TAV.39 Impianto di raffreddamento - Installation de refroidissement - Installation de refroidissement - Kühlsystem - Instalació n de enfriamiento



© Copyright 2017 Betamotor S.p.A.

Pag. 50

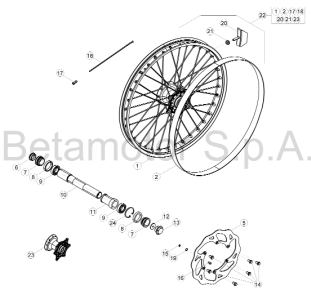
TAV.40 Impianto elettrico - Electrical equipment - Installation électrique - Elektrische anlage - Instalació n electrica



© Copyright 2018 Betamotor S.p.A.

Pag. 52

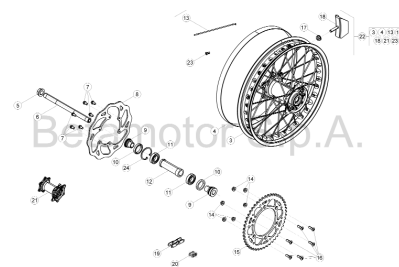
TAV.41 Ruota anteriore - Front wheel - Roue AV. - Vorderrad - Rueda delantera



© Copyright 2018 Betamotor S.p.A.

Pag. 56

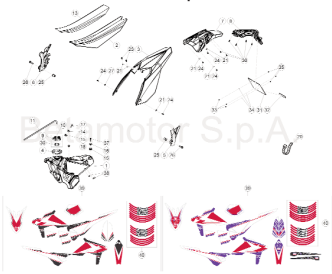
TAV.42 Ruota posteriore - Rear wheel - Roue AR. - Hinterrad - Rueda trasera



© Copyright 2016 Betamotor S.p.A.

Pag. 58

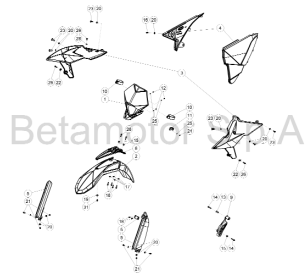
TAV.43 Carenature-Serbatoio-Sella - Fairings-Tank-Saddle - Carenages-Reservoir-Selle - Verkleidungen-Tank-Sattel - Carenados-Deposito-Sillin



© Copyright 2018 Betamotor S.p.A.

Pag. 60

TAV.43A Carenature-Parafanghi - Mudguards - Carenages-Gardeboues - Verkleidungen-Koffluggeln - Carenados-Guardabarros



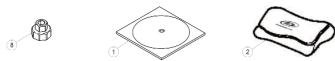
© Copyright 2017 Betamotor S.p.A.

Pag. 62

TAV.44 Attrezzatura specifica - Special tools - Outilage spécial - Spezialwerkzeug -
Utillaje específico

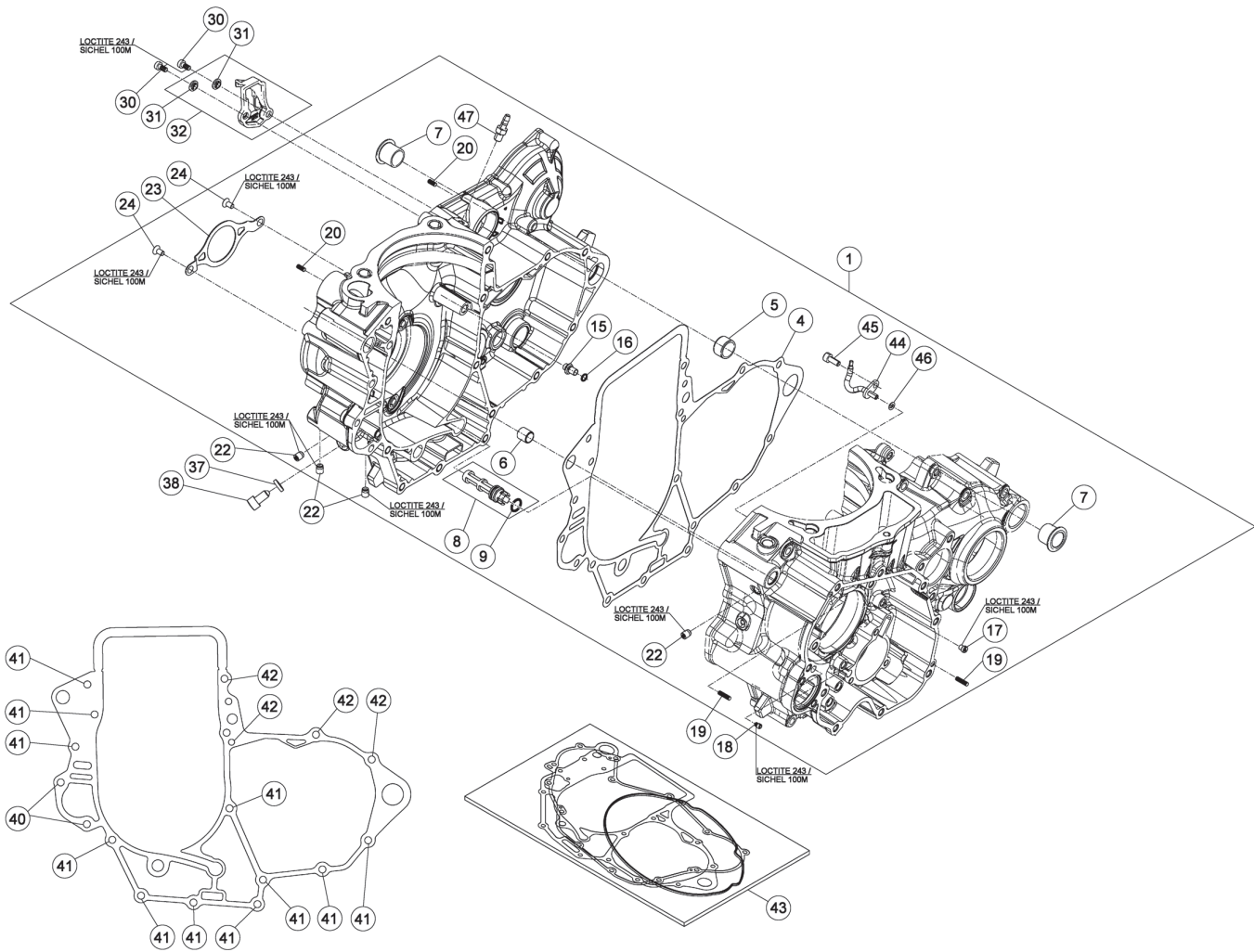


Betamotor S.p.A.



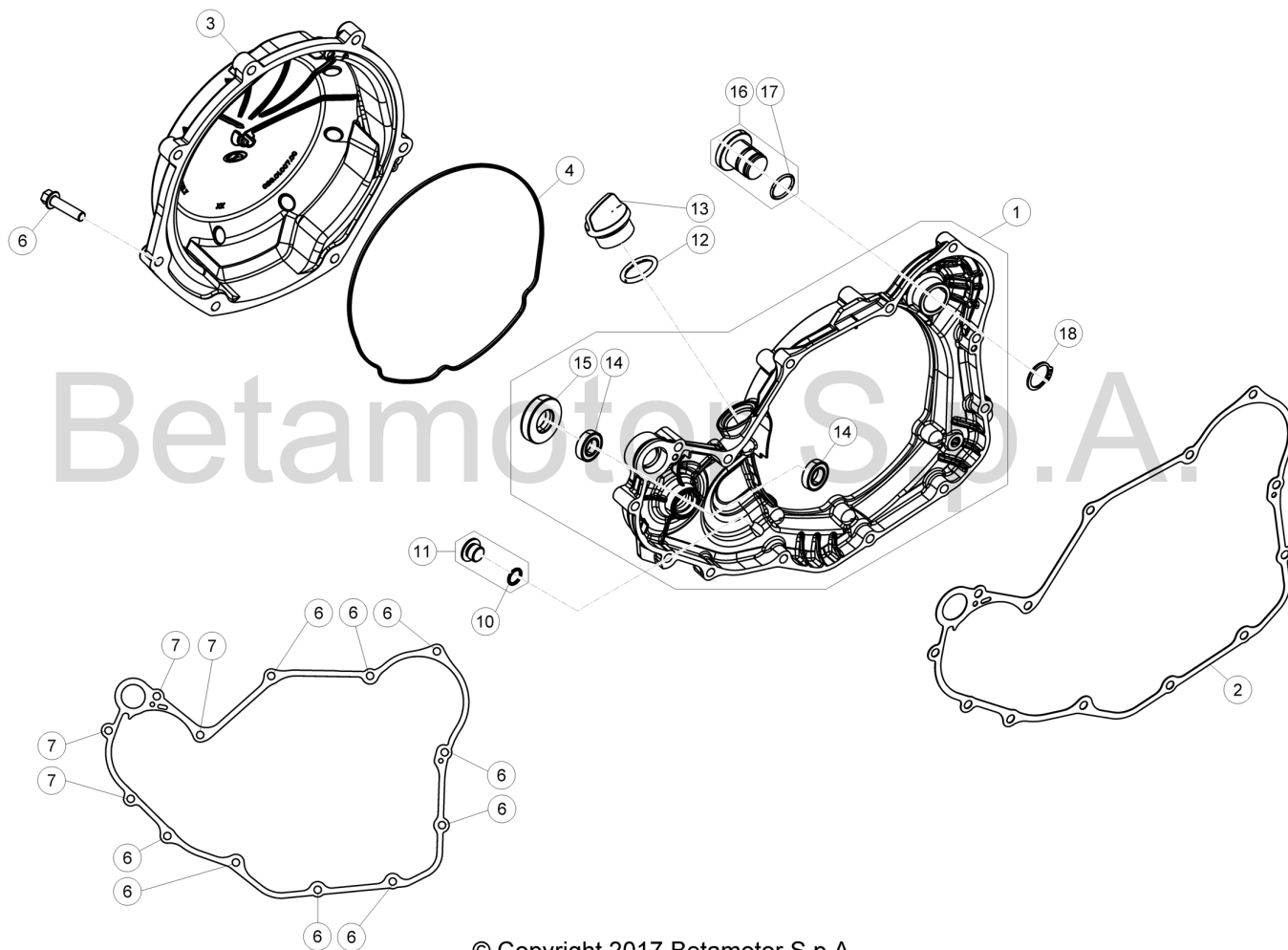
© Copyright 2010 Betamotor S.p.A.

Pag. 64



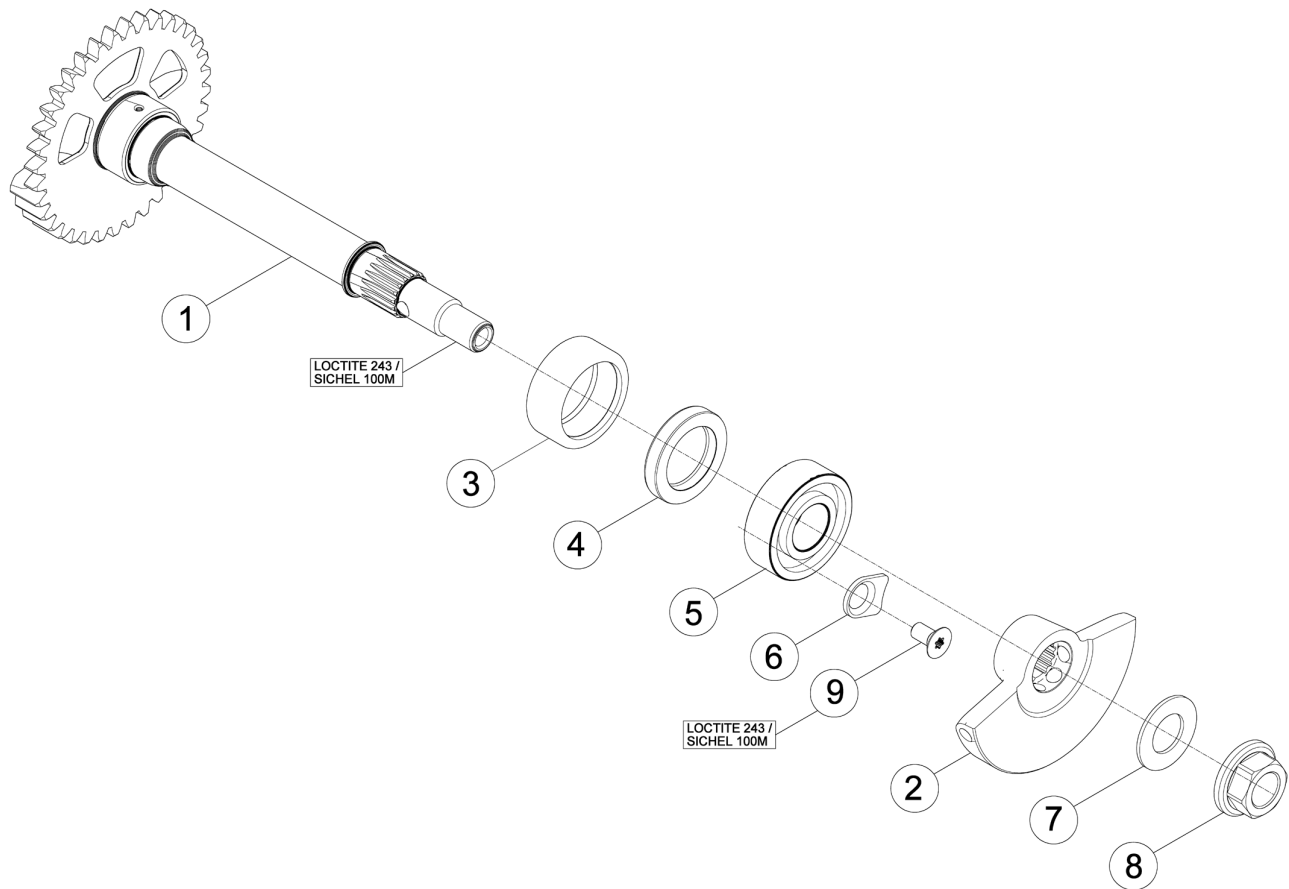
Pos Loc Pos Ps Pos	Numero Number Numéro Número	Q.tà Q.ty Q.té M.ge C.ad	Nota Note Note Nota Anm.	Descrizione	Description	Dé signation	Beschreibung	Descrìpziò n
1	027.01.000.80.00	1	350-390cc	Carter motore completo	Crankcase assy.	Carter moteru complet	Kurbelgehäuse, kompl.	Carter motor completo
1	029.01.000.80.00	1	430-480cc	Carter motore completo	Crankcase assy.	Carter moteru complet	Kurbelgehäuse, kompl.	Carter motor completo
4	029.01.003.00.00	1		Guarnizione Carter Motore	Crankcase Gasket	Joint Carter Moteur 4t	Motorgehäusedichtung	Junta Carter Motor
5	006.01.012.00.00	1		Grano di riferimento 17x21.12	Dowel 17x21.12	Repère 17x21.12	Passtift 17x21.12	Centraje 17x21.12
6	16.41500.000	1		Grano di riferimento	Dowel	Repère	Passtift	Centraje
7	006.01.011.00.00	2		Boccola 17X21X19	Bush 17X21X19	Moyeu 17X21X19	Büchse 17X21X19	Buje 17X21X19
8	006.08.053.80.00	1		Filtro olio	Oil filter	Filtre à huile	Ölfilter	Filtro de aceite
9	10.50010.000	1		Anello OR 8x1,5x	O-Ring 8x1,5x	Bague d' é tanché ité 8x1,5x	O-Ring 8x1,5x	Anillo OR 8x1,5x
15	029.01.024.80.00	1		Getto olio completo	Cooling oil jet, assy	Cicleur huile de refr.	Öldüse	Surtidor aceite de enfr.
16	10.66139.000	1		Anello OR 6 x 1,5	O-Ring 6 x 1,5	Bague d' é tanché ité 6 x 1,5	O-Ring 6 x 1,5	Anillo OR 6 x 1,5
17	16.42903.000	1		Getto lubrificazione 100	Lubrication jet 100	Gliceur lubrification 100	Düse Schmierung 100	Surtidor lubricaciò n 100
18	16.42904.000	1		Getto lubrificazione carter 100	Lubrication jet crankcase 100	Gliceur lubrification carter 100	Düse Schmierung Kurbelwellengehä use 100	Surtidor lubricaciò n cá rter 100
19	12.93384.000	2		Rullino 4x15,8	Roller 4x15,8	Rouleau 4x15,8	Rolle 4x15,8	Rodillo 4x15,8
20	36.25021.000	2		Rullino 4,0 X 9,8	Roller 4,0 X 9,8	Rouleau 4,0 X 9,8	Rolle 4,0 X 9,8	Rodillo 4,0 X 9,8
22	006.01.021.00.00	4		Tappo olio ad espansione 7X9	Oil expansion plug 7X9	Bouchon d' huile à expansion 7X9	Öl-expansionsstopfen 7X9	Tapó n extensible del aceite 7X9
23	006.01.018.00.09	1		Piastrina	Plate	Plaquette	Plättchen	Placa
24	31.30085.000	2		Vite M5X10	Screw M5X10	Vis M5X10	Schraube M5X10	Tornillo M5X10
30	C24.24.045.00.00	2		Vite a brugola TCCE 5x10	Allen screw TCCE 5x10	Vis à 6 pans TCCE 5x10	Sechskantschraube TCCE 5x10	Tornillo a llave allen TCCE 5x10
31	006.08.081.00.00	2		Boccola	Bush	Moyeu	Büchse	Buje
32	022.08.080.80.00	1		Rampa olio	Oil incline	Rampe huile	Ölrampe	Diffusor aceite
37	029.01.026.00.00	1		Rondella in rame 8x14.5	Copper washer 8x14.5	Rondelle en cuivre 8x14.5	Kupfer U.Scheibe 8x14.5	Arandela de cobre 8x14.5
38	029.01.025.00.00	1		Vite speciale PMS	Special screw TDC	Vis spéciale PMS	Spezialschraube OT	Tornillo especial PMS
40	11.50300.000	2		Bullone M6x30 RSCH8	Bolt M6x30 RSCH8	Boulon M6x30 RSCH8	Bolzen M6x30 RSCH8	Tornillo M6x30 RSCH8
41	11.05485.000	11		Bullone M6x60 RSCH8	Bolt M6x60 RSCH8	Boulon M6x60 RSCH8	Bolzen M6x60 RSCH8	Tornillo M6x60 RSCH8
42	C24.31.041.00.00	4		Bullone M6x70 RSCH8	Bolt M6x70 RSCH8	Boulon M6x70 RSCH8	Bolzen M6x70 RSCH8	Tornillo M6x70 RSCH8
43	029.01.041.82.00	1		Kit guarnizioni carter	Crankcase gasket kit	Kit des joints carter	Motorgehä use-Dicht Satz	Kit de juntas carter
44	029.01.021.00.00	1		Getto olio raffreddamento	Cooling oil jet	Gliceur huile de refr.	Öldüse	Surtidor aceite de enfr.
45	31.26790.000	1		Vite a brugola M4x10	Allen screw M4x10	Vis à 6 pans M4x10	Sechskantschraube M4x10	Tornillo a llave allen M4x10
46	C02.06.054.00.00	1		Anello OR 3,5x1,5	O-Ring 3,5x1,5	Bague d' é tanché ité 3,5x1,5	O-Ring 3,5x1,5	Anillo OR 3,5x1,5
47	29.00280.000	1		Tappo presa dep. testa	Plug	Bouchon	Stopfen	Tapó n

Tav.01A



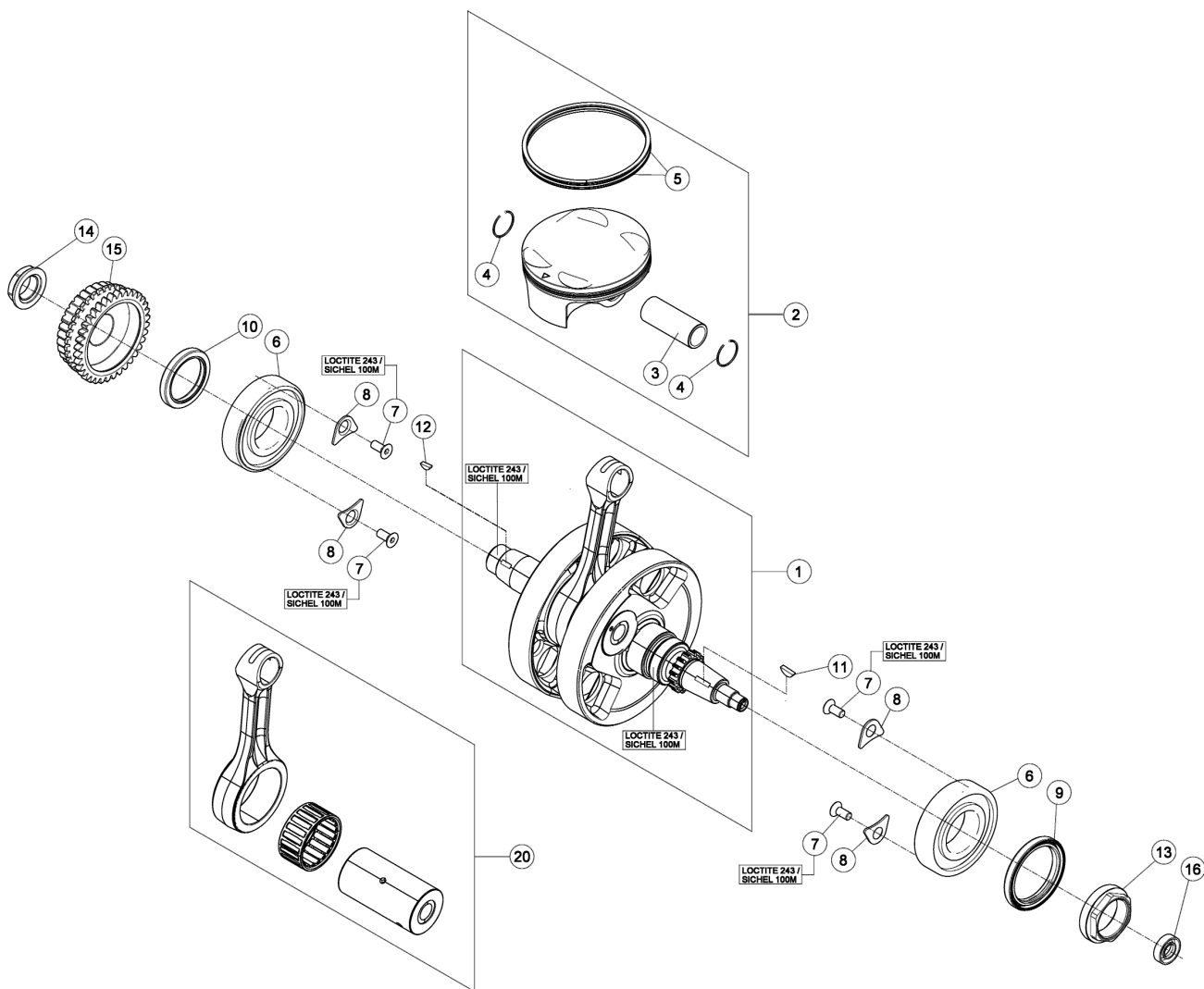
© Copyright 2017 Betamotor S.p.A.

Pos Loc Ps Pos	Numero Number Numéro Número Nummer	Q.tà Q.ty Q.té M.ge C.ad	Nota Note Nota Anm.	Descrizione	Description	Dé signation	Beschreibung	Descrìpçì n
1	029.01.030.80.00	1		Coperchio frizione interno	Inner clutch cover	Couvercle interne d'embrayage	Innerer Kupplungsdeckel	Tapa interior embrague
2	029.01.031.00.00	1		Guarnizione coperchio frizione	Clutch cover gasket	Joint couvercle embrayage	Dichtung Kupplungsabdeckung	Junta tapa embrague
3	029.01.007.80.52	1		Coperchio frizione esterno	Outer clutch cover	Couvercle externe d'embrayage	Äußerer Kupplungsdeckel	Tapa exterior embrague
4	006.01.041.00.00	1		Guarnizione coperchio frizione	Clutch cover gasket	Joint couvercle embrayage	Dichtung Kupplungsabdeckung	Junta tapa embrague
6	11.50010.000	16		Bullone M6x25	Bolt M6x25	Boulon M6x25	Bolzen M6x25	Tornillo M6x25
7	11.50360.000	4		Bullone M6x40	Bolt M6x40	Boulon M6x40	Bolzen M6x40	Tornillo M6x40
10	10.50010.000	1		Anello OR 8x1,5x	O-Ring 8x1,5x	Bague d'é tanché ité 8x1,5x	O-Ring 8x1,5x	Anillo OR 8x1,5x
11	006.11.045.80.00	1		Tappo albero coperchio frizione	Clutch cover Arm Plug	Bouchon Arbre Couvercle d'embrayage	Endkappe Kupplungsdeckel	Tapa Ciguenal embrague
11	006.15.006.80.00	1	RACING	Tappo albero coperchio frizione	Clutch cover Arm Plug	Bouchon Arbre Couvercle d'embrayage	Endkappe Kupplungsdeckel	Tapa Ciguenal embrague
12	10.66340.000	1		Anello OR 16x3	O-Ring 16x3	Bague d'é tanché ité 16x3	O-Ring 16x3	Anillo OR 16x3
13	29.09601.000	1		Tappo alimentazione olio	Oil filling cap	Bouchon rempl. huile	Öleinfüllstöpsel	Tapó n intruducció n aceite
13	29.09601.053	1	RACING	Tappo alimentazione olio	Oil filling cap	Bouchon rempl. huile	Öleinfüllstöpsel	Tapó n intruducció n aceite
14	12.93400.000	2		Cuscinetto 10x19.5	Bearing 10x19.5	Roulement 10x19.5	Lager 10x19.5	Cojinete 10x19.5
15	10.48030.000	1		Anello paraolio 12x30.7	Oil seal 12x30.7	Joint d'é tanché ité 12x30.7	Ölschutzring 12x30.7	Reté n de aceite 12x30.7
16	036.01.006.80.59	1		Tappo completo	Plug, assy.	Bouchon complet	Verschluß kpl.	Tapó n completo
17	10.66321.000	1		Anello OR	O-Ring	Bague d'é tanché ité	O-Ring	Anillo OR
18	33.00070.000	1		Seeger D.19	Circlip D.19	Circlip D.19	Seeger D.19	Seeger D.19



Pos Loc Pos Ps Pos	Numero Number Numéro Número Nummer	Q.tà Q.ty Q.té M.ge C.ad	Nota Note Note Nota Anm.	Descrizione	Description	Dé signation	Beschreibung	Descripció n
1	029.02.020.00.00	1		Albero bilanciamento	Balancer Shaft	Arbre Equilibrage	Ausgleichswelle	Árbol Equilibrado
2	029.02.021.00.00	1		Contrappeso	Counter weight	Contrepoids	Gegengewicht	Contrapeso
3	C06.14.019.00.00	1		Boccola a rulli	Roller bearing	Douille à roulements	Rollenbuchse	Caja de grasa de rodillos
4	10.64490.000	1		Anello paraolio 20x30.5/6	Oil seal 20x30.5/6	Joint d' é tanché ité 20x30.5/6	Ölschutzring 20x30.5/6	Retén de aceite 20x30.5/6
5	C06.01.034.00.00	1		Cuscinetto 15.32.9 6002LLUC3/5K	Bearing 15.32.9 6002LLUC3/5K	Roulement 15.32.9 6002LLUC3/5K	Lager 15.32.9 6002LLUC3/5K	Cojinete 15.32.9 6002LLUC3/5K
6	006.01.016.00.00	1		Piastrina	Plate	Plaque	Plättchen	Placa
7	27.74810.000	1		Rondella elastica	Spring Washer	Rondelle é lastique	Federring	Arandela elástica
8	13.25010.000	1		Dado M12x1	Nut M12x1	Eccrou M12x1	Mutter M12x1	Tuerca M12x1
9	C24.90.002.00.00	1		Vite TORX M6x12	Screw TORX M6x12	Vis TORX M6x12	Schraube TORX M6x12	Tornillo TORX M6x12

Tav.02A



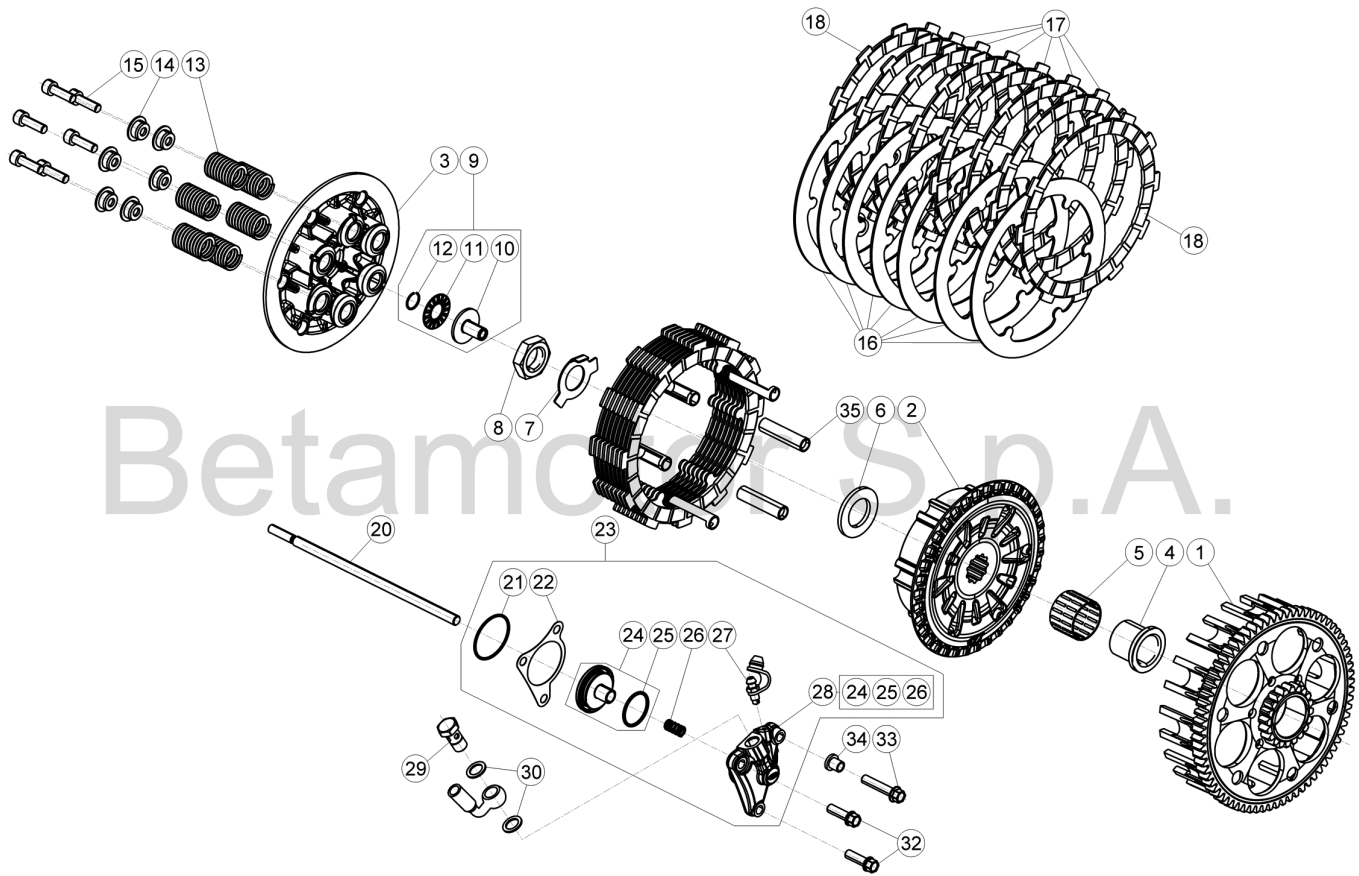
Pos Loc Pos Ps Pos	Numero Number Numéro Nummer	Q.tà Q.ty Q.té M.ge C.ad	Nota Note Note Nota Anm.	Descrizione	Description	Dé signation	Beschreibung	Descriscì o n
1	027.02.005.80.00	1	350cc	Albero motore completo	Crankshaft, assy.	Arbre moteur complet	kurbelwelle, komplett	Cigü eñ al completo
1	028.02.003.80.00	1	390cc	Albero motore completo	Crankshaft, assy.	Arbre moteur complet	kurbelwelle, komplett	Cigü eñ al completo
1	029.02.000.80.00	1	430-480cc	Albero motore completo	Crankshaft, assy.	Arbre moteur complet	kurbelwelle, komplett	Cigü eñ al completo
2	027.02.150.80.01	1	● 350cc	Pistone d.88 1M	Piston d.88 1M	Piston d.88 1M	Kolben, d.88 1M	Pistó n, d.88 1M
2	027.02.150.80.02	1	● 350cc	Pistone d.88 2M	Piston d.88 2M	Piston d.88 2M	Kolben, d.88 2M	Pistó n, d.88 2M
2	027.02.151.80.01	1	■ 350cc	Pistone d.88 1M	Piston d.88 1M	Piston d.88 1M	Kolben, d.88 1M	Pistó n, d.88 1M
				350RACING				
2	027.02.151.80.02	1	■ 350cc	Pistone d.88 2M	Piston d.88 2M	Piston d.88 2M	Kolben, d.88 2M	Pistó n, d.88 2M
				350RACING				
2	028.02.150.80.01	1	● 390cc	Pistone d.88 1M	Piston d.88 1M	Piston d.88 1M	Kolben, d.88 1M	Pistó n, d.88 1M
2	028.02.150.80.02	1	● 390cc	Pistone d.88 2M	Piston d.88 2M	Piston d.88 2M	Kolben, d.88 2M	Pistó n, d.88 2M
2	028.02.151.80.01	1	■ 390cc	Pistone d.88 1M	Piston d.88 1M	Piston d.88 1M	Kolben, d.88 1M	Pistó n, d.88 1M
				390RACING				
2	028.02.151.80.02	1	■ 390cc	Pistone d.88 2M	Piston d.88 2M	Piston d.88 2M	Kolben, d.88 2M	Pistó n, d.88 2M
				390RACING				
2	029.02.050.80.01	1	430cc	Pistone completo 1M	Piston set 1M	Piston compl. 1M	Kolben, kompl. 1M	Pistó n, compl. 1M
2	029.02.050.80.02	1	430cc	Pistone completo 2M	Piston set 2M	Piston compl. 2M	Kolben, kompl. 2M	Pistó n, compl. 2M
2	030.02.050.80.01	1	480cc	Pistone completo 1M	Piston set 1M	Piston compl. 1M	Kolben, kompl. 1M	Pistó n, compl. 1M
2	030.02.050.80.02	1	480cc	Pistone completo 2M	Piston set 2M	Piston compl. 2M	Kolben, kompl. 2M	Pistó n, compl. 2M
3	027.02.051.00.00	1	350-390cc	Spinotto	Pin	Axe	Zapfen	Eje
3	029.02.051.00.00	1	430-480cc	Spinotto	Pin	Axe	Zapfen	Eje
4	022.02.052.00.00	2	350-390cc	Anello ferma spinotto	Piston pin lock ring	Bague de serrage goujon	Bolzenfeststellig	Anillo sujeta pasador
4	029.02.052.00.00	2	430-480cc	Anello ferma spinotto	Piston pin lock ring	Bague de serrage goujon	Bolzenfeststellig	Anillo sujeta pasador
5	027.02.053.80.00	1	● Serie segmenti pistone d=88		Piston rings kit d=88	Jeu segment de piston d=88	Kit Kolbendichtring d=88	Juego aros piston d=88
				350-390cc				
5	027.02.011.82.00	1	■ Serie segmenti pistone d=88		Piston rings kit d=88	Jeu segment de piston d=88	Kit Kolbendichtring d=88	Juego aros piston d=88
				350-390cc				
				350RACING				
				390RACING				
5	029.02.053.80.00	1	430cc	Serie segmenti pistone d=95	Piston rings kit d=95	Jeu segment de piston d=95	Kit Kolbendichtring d=95	Juego aros piston d=95
5	006.02.153.80.00	1	480cc	Serie segmenti pistone d=100	Piston rings kit d=100	Jeu segment de piston d=100	Kit Kolbendichtring d=100	Juego aros piston d=100
6	12.99700.000	2		Cuscinetto 35x72	Bearing 35x72	Roulement 35x72	Lager 35x72	Cojinete 35x72
7	C24.90.002.00.00	4		Vite TORX M6x12	Screw TORX M6x12	Vis TORX M6x12	Schraube TORX M6x12	Tornillo TORX M6x12
8	006.01.016.00.00	4		Piastrina	Plate	Plaque	Plättchen	Placa
9	10.66085.000	1		Anello paraolio 45x58.7	Oil seal 45x58.7	Joint d' é tanché ité 45x58.7	Ölschutzring 45x58.7	Reté n de aceite 45x58.7
10	10.65900.000	1		Anello paraolio 35x47.6	Oil seal 35x47.6	Joint d' é tanché ité 35x47.6	Ölschutzring 35x47.6	Reté n de aceite 35x47.6
11	12.46020.000	1		Chiavetta 3x5	Key 3x5	Clavette 3x5	Keil 3x5	Chaveta 3x5
12	12.46000.000	1		Chiavetta	Key	Clavette	Keil	Chaveta
13	022.02.011.00.00	1		Dado M32X1	Nut M32X1	Ecrou M32X1	Mutter M32X1	Tuerca M32X1
14	006.03.023.00.00	1		Dado M20X1x5 LH	Nut M20X1x5 LH	Ecrou M20X1x5 LH	Mutter M20X1x5 LH	Tuerca M20X1x5 LH
15	022.03.021.80.00	1	350-390cc	Pignone	Pinion	Pignon	Ritzel	Piñ ó n
15	006.03.121.80.00	1	430-480cc	Pignone	Pinion	Pignon	Ritzel	Piñ ó n
16	10.44690.000	1		Anello paraolio 10x22.6	Oil seal 10x22.6	Joint d' é tanché ité 10x22.6	Ölschutzring 10x22.6	Reté n de aceite 10x22.6
20	027.02.008.80.00	1	350-390cc	Biella completa	Conn.-rod, assy	Bielle compl.	Pleuel, kompl.	Biela compl.
20	029.02.008.80.00	1	430-480cc	Biella completa	Conn.-rod, assy	Bielle compl.	Pleuel, kompl.	Biela compl.

350cc

- da Nr. telaio/from frame nr./du châssis n°/nur ab Rahmen n./desde chasis n. ZD3E615C6K0100676
Fino al telaio n./until frame nr./jusqu' au châssis n°/bis zum Rahmen n./hasta chasis n. ZD3E615C0K0100723
- da Nr. telaio/from frame nr./du châssis n°/nur ab Rahmen n./desde chasis n. ZD3E615C2K0100724 >>

390cc

- da Nr. telaio/from frame nr./du châssis n°/nur ab Rahmen n./desde chasis n. ZD3E616C7K0200428
Fino al telaio n./until frame nr./jusqu' au châssis n°/bis zum Rahmen n./hasta chasis n. ZD3E616C0K0200478
- da Nr. telaio/from frame nr./du châssis n°/nur ab Rahmen n./desde chasis n. ZD3E616C2K0200479 >>



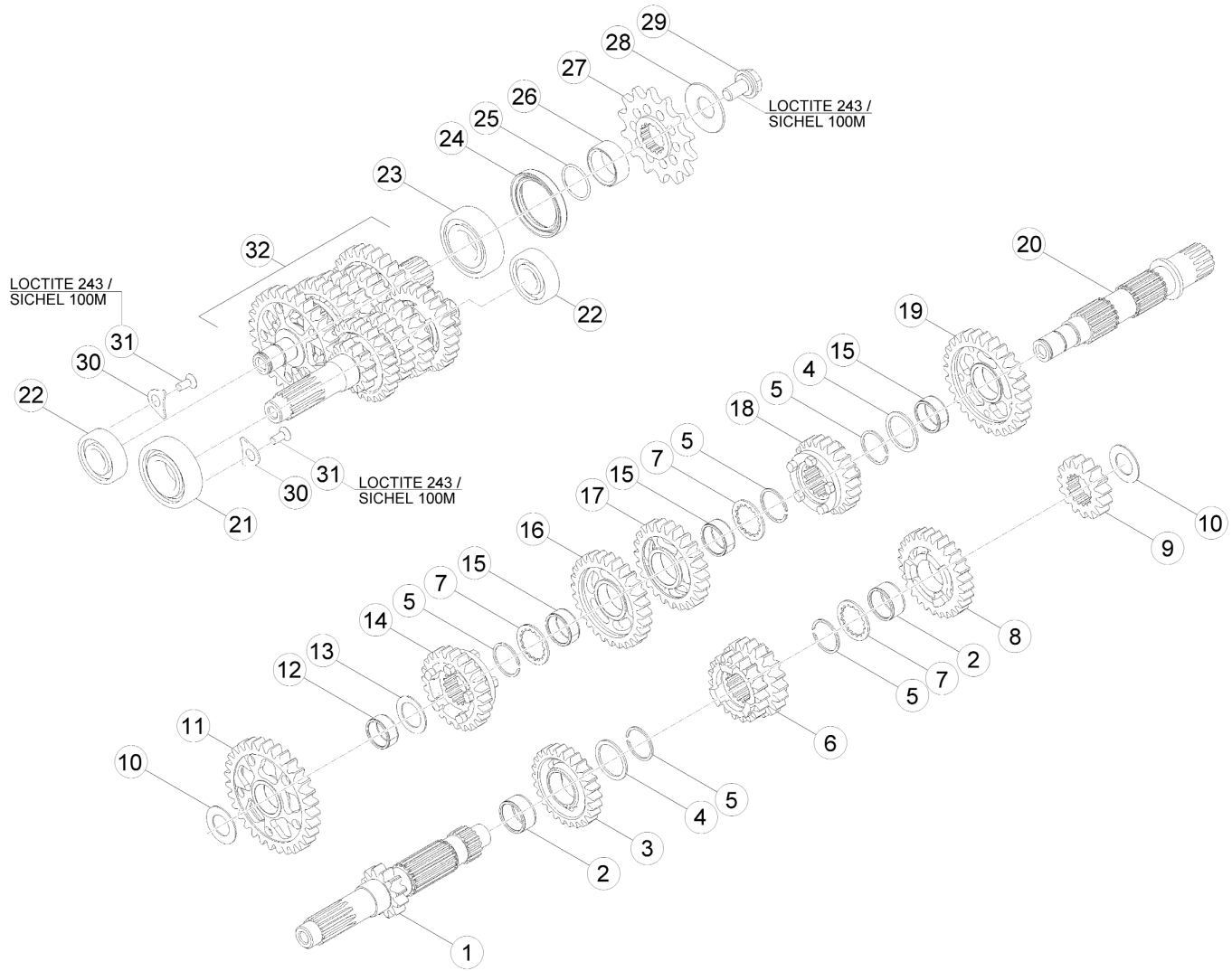
Betamotor S.p.A.

© Copyright 2017 Betamotor S.p.A.



Tav.03

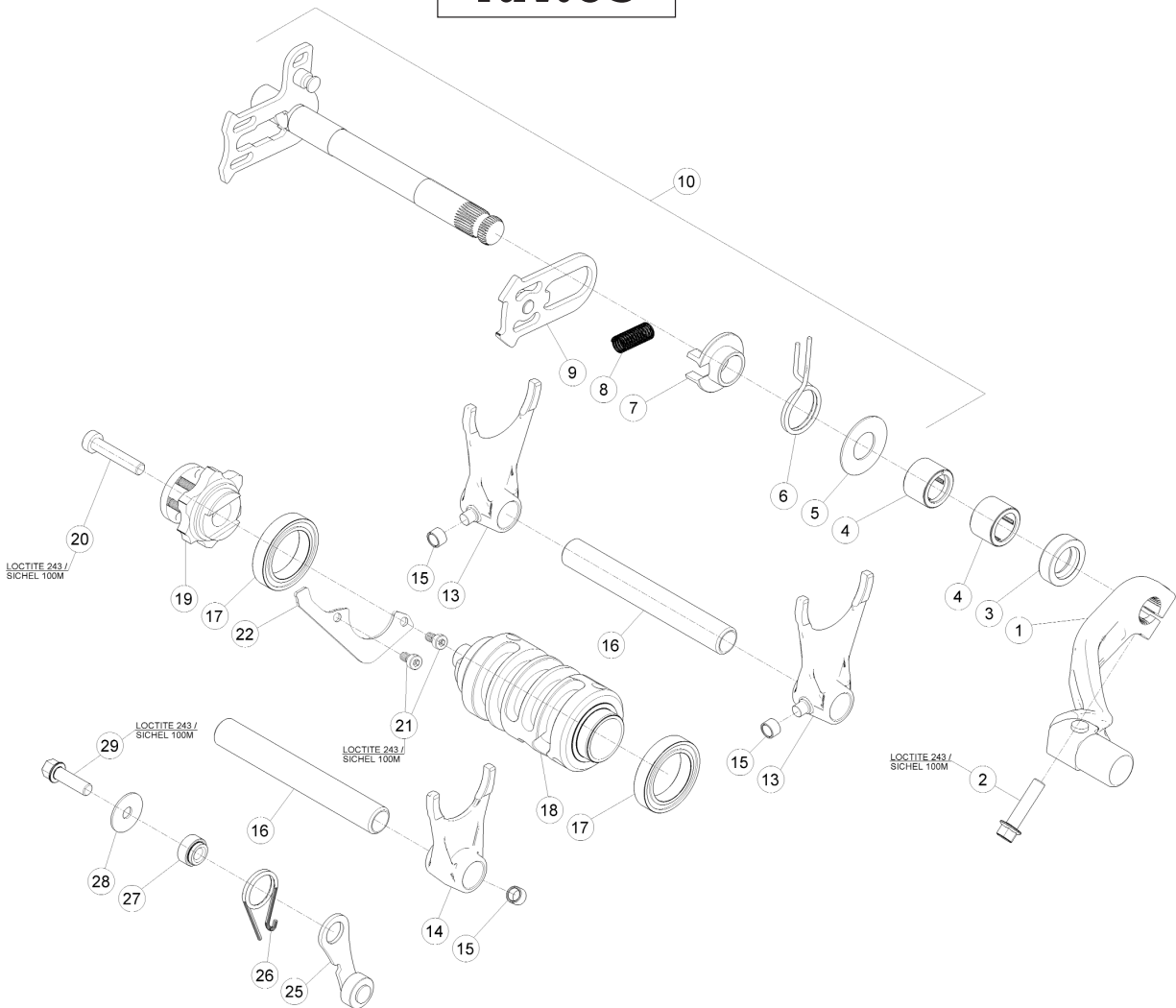
Pos Loc Pos Ps Pos	Numero Number Numéro Número Nummer	Q.tà Q.ty Q.té M.ge C.ad	Nota Note Note Nota Anm.	Descrizione	Description	Dé signation	Beschreibung	Descrìpçì n
1	027.03.011.00.00	1	350-390cc	Corona trasmissione primaria	Clutch case assembly	Cloche d'embrayage compl.	Kupplungsglocke.	Campana de embr.completa
1	029.03.011.00.00	1	430-480cc	Corona trasmissione primaria	Clutch case assembly	Cloche d'embrayage compl.	Kupplungsglocke.	Campana de embr.completa
2	029.03.141.00.00	1		Mozzo frizione	Clutch drum	Tambour d'embr.	Kupplungstrommel	Tambor de embr.
3	029.03.031.00.00	1		Piattello spingidisco	Spring collar	Godet d'embrayage	Druckteller	Platillo embrague
4	006.03.061.00.00	1		Boccola	Bush	Moyeu	Büchse	Buje
5	006.03.063.00.00	1		Boccola a rulli 26x30.22.	Roller bearing 26x30.22.	Douille à roulements 26x30.22.	Rollenbuchse 26x30.22.	Caja de grasa de rodillos 26x30.22.
6	006.03.062.00.00	1		Rondella 21,7x38.3.	Washer 21,7x38.3.	Rondelle 21,7x38.3.	U.Scheibe 21,7x38.3.	Arandela 21,7x38.3.
7	029.03.000.48.00	1		Rondella di sicurezza	Tab washer	Rondelle de sûreté	Sicherungs-Unterlegscheibe	Arandela de seguridad
8	006.03.065.00.00	1		Dado M18x1,5 h9	Nut M18x1,5 h9	Ecrou M18x1,5 h9	Mutter M18x1,5 h9	Tuerca M18x1,5 h9
9	029.03.071.80.00	1		Innesto Asta Corpa Frizione comp.	Clutch Housing Rod Coupling, assy	Crabot Tige Corps Embrayage compl.	Stabeinkupplung Kupplungskörper, kpl.	Acople Varilla Cuerpo Embrague comp.
10	029.03.071.00.00	1		Innesto Asta Corpa Frizione	Clutch Housing Rod Coupling	Crabot Tige Corps Embrayage	Stabeinkupplung Kupplungskörper	Acople Varilla Cuerpo Embrague
11	16.11370.000	1		Gabbia reggispinta 15x28x2	Thrust bearing cage 15x28x2	Buté e à aiguilles 15x28x2	Andruckkäfig 15x28x2	Jaula cojinete de empuje 15x28x2
12	28.23105.000	1		Seeger RB14 DIN 7993	Circlip RB14 DIN 7993	Circlip RB14 DIN 7993	Seeger RB14 DIN 7993	Seeger RB14 DIN 7993
13	029.03.055.00.00	6		Molla frizione	Clutch spring	Ressort embr.	Kupplg.feder	Muelle embr.
14	029.03.056.00.00	6		Reggimolla Frizione	Spring Retainer	Porte-Ressort Embrayage	Federteller	Portamuelle Embrague
15	31.34510.000	6		Vite TCCE 6.20	Screw TCCE 6.20	Vis TCCE 6.20	Schraube TCCE 6.20	Tornillo TCCE 6.20
16	029.03.150.00.00	7		Disco condotto	Driven plate	Disque entraîné	Scheibe getrieben	Disco conducido
17	029.03.053.00.00	6		Disco conduttore	Driving plate	Disque menant	Scheibe treibend	Disco conductor
18	029.03.054.00.00	2		Disco conduttore	Driving plate	Disque menant	Scheibe treibend	Disco conductor
20	006.03.070.00.00	1		Asta comando frizione	Clutch control rod	Tige de commande embrayage	Klupplungssteuerungsstab	Varilla mando embrague
21	10.66840.000	1		Anello OR 33x1,5	O-Ring 33x1,5	Bague d'é tanché ité 33x1,5	O-Ring 33x1,5	Anillo OR 33x1,5
22	006.03.085.00.00	1		Guarnizione frizione	Clutch lining	Garniture embrayage	Kupplungsbelag	Forro de embrague
23	029.03.001.80.00	1		Cilindro attuatore frizione	Clutch actuator cylinder	Cylindre actionneur embrayage	Zykubder Stellantrieb Kupplungs	Cilindro del actuador embrague
24	006.03.281.80.00	1		Pistone attuatore innesto frizione	Clutch actuator piston	Piston actionneur embrayage	Kolben Stellantrieb Kupplungs	Pistón del actuador embrague
25	10.66520.000	1		Anello or 25,12x1,78	O-Ring 25,12x1,78	Bague d'é tanché ité 25,12x1,78	O-Ring 25,12x1,78	Anillo OR 25,12x1,78
26	006.03.083.00.00	1		Molla	Spring	Ressort	Feder	Muelle
27	28.91050.000	1		Tappo sfiato	Breather plug	Bouchon reniflard	Verschluß Entlüfter	Tapón respiradero
28	029.03.001.00.00	1		Cilindro attuatore frizione	Clutch actuator cylinder	Cylindre actionneur embrayage	Zykubder Stellantrieb Kupplungs	Cilindro del actuador embrague
29	11.65040.000	1		Bullone forato 10x1 x tubo freno	Special bolt	Boulon 10x1 x tube frein	Hohlschraube F.Bremse	Tornillo esp. talad.10.1
30	16.50510.000	2		Guarnizione 10x15x1 in rame	Gasket 10x15x1 copper	Joint 10x15x1 cuivre	Dichtung 10x15x1 Kupfer	Junta 10.15.1 (cobre)
32	11.49070.000	2		Bullone 6x20 ch rs	Bolt 6x20 ch rs	Boulon 6x20 ch rs	Bolzen 6x20 ch rs	Tornillo 6x20 ch rs
33	11.50355.000	1		Bullone 6x35 rs ch8	Bolt 6x35 rs ch8	Boulon 6x35 rs ch8	Bolzen 6x35 rs ch8	Tornillo 6x35 rs ch8
34	13.49190.000	1		Distanziale 10mm	Spacer 10mm	Entretoise 10mm	Distanzstück 10mm	Distanciadador 10mm
35	029.03.107.00.00	6		Guida disco	Plate guide	Guide-disque	Scheibeführung	Guí a disco



Tav.04

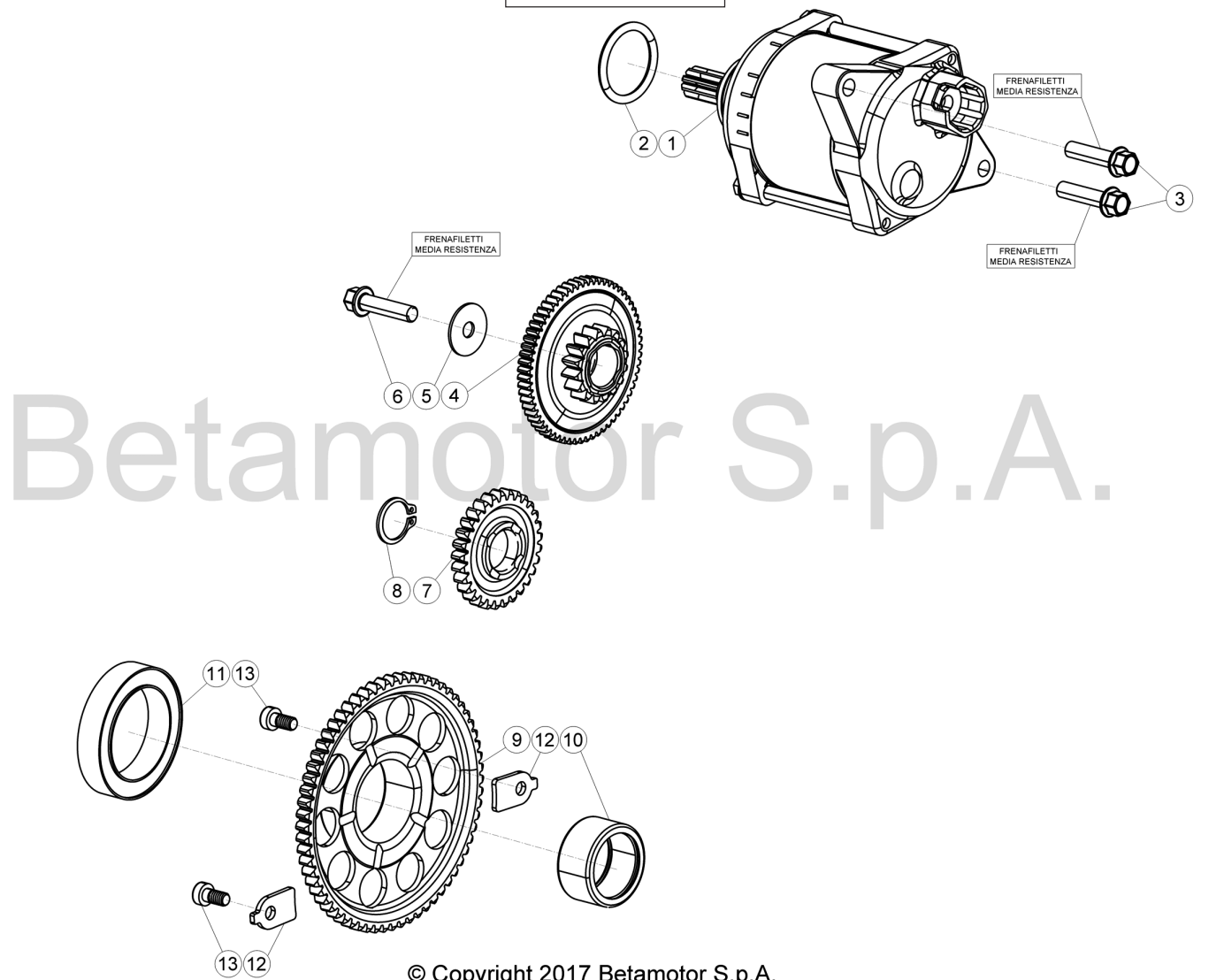
Pos Loc Pos Ps Pos	Numero Number Numéro Número	Q.tà Q.ty Q.té M.ge C.ad	Nota Note Note Nota Anm.	Descrizione	Description	Dé signation	Beschreibung	Descriscì o n
1	006.04.010.00.00	1		Albero primario	Mainshaft	Arbre primaire	Hauptwelle	Arbol primario
2	11.22855.000	2		Gabbia a rulli 22x26x13	Roller cage 22x26x13	Cage a roul. 22x26x13	Rollenkäfig 22x26x13	Jaula de rod. 22x26x13
3	006.04.015.00.00	1		Quinta sul primario	Fifth gear - mainshaft	Cinquième sur le primaire	5. Gang auf antriebswelle	Quinta marcha en el cigüeñal primario
4	006.04.031.00.00	2		Rondella rasamento	Thrust washer	Rondelle de butée	Anlaufscheibe	Arandela distanciadora
5	28.25520.000	5		Seeger SW25	Circlip SW25	Circlip SW25	Seeger SW25	Seeger SW25
6	006.04.013.00.00	1		Terza e quarta sul primario	Third and fourth gear - mainshaft	Troisième et quatrième sur le primaire	3. Gang und 4. Gang auf antriebswelle	Tercera y Cuarta marcha en el cigüeñal primario
7	006.04.030.00.00	3		Rondella rasamento	Thrust washer	Rondelle de butée	Anlaufscheibe	Arandela distanciadora
8	006.04.016.00.00	1		Sesta sul primario	6th gear - mainshaft	Sixième sur le primaire	6. Gang auf antriebswelle	Sexta marcha en el cigüeñal primario
9	006.04.012.00.00	1		Seconda sul primario	Second gear - mainshaft	Deuxième sur le primaire	2. Gang auf abtriebswelle	Segunda marcha en el cigüeñal primario
10	006.04.032.00.00	2		Rondella rasamento 17x30x1	Thrust washer 17x30x1	Rondelle de butée 17x30x1	Anlaufscheibe 17x30x1	Arandela distanciadora 17x30x1
11	006.04.021.00.00	1		Prima sul secondario	First gear - layshaft	Première sur le secondaire	1. Gang auf Vorgelegewelle	Primera marcha en el cigüeñal secundario
12	11.22835.000	1		Gabbia a rulli 20x24x10	Roller cage 20x24x10	Cage a roul. 20x24x10	Rollenkäfig 20x24x10	Jaula de rod. 20x24x10
13	006.04.033.00.00	1		Rondella rasamento 20x30x1	Thrust washer 20x30x1	Rondelle de butée 20x30x1	Anlaufscheibe 20x30x1	Arandela distanciadora 20x30x1
14	006.04.025.00.00	1		Quinta sul secondario	Fifth gear - layshaft	Cinquième sur le secondaire	5. Gang auf Vorgelegewelle	Quinta marcha en el cigüeñal secundario
15	11.22845.000	3		Gabbia a rulli 22x26x10	Roller cage 22x26x10	Cage a roul. 22x26x10	Rollenkäfig 22x26x10	Jaula de rod. 22x26x10
16	006.04.023.00.00	1		Terza sul secondario	Third gear - layshaft	Troisième sur le secondaire	3. Gang auf Vorgelegewelle	Tercera marcha en el cigüeñal secundario
17	006.04.024.00.00	1		Quarta sul secondario	Fourth gear - layshaft	Quatrième sur le secondaire	4. Gang auf Vorgelegewelle	Cuarta marcha en el cigüeñal secundario
18	006.04.026.00.00	1		Sesta sul secondario	6th gear - layshaft	Sixième sur le secondaire	6. Gang auf Vorgelegewelle	Sexta marcha en el cigüeñal secundario
19	006.04.022.00.00	1		Seconda sul secondario	Second gear - layshaft	Deuxième sur le secondaire	2. Gang auf Vorgelegewelle	Segunda marcha en el cigüeñal secundario
20	006.04.020.00.00	1		Albero secondario	Counter shaft	Arbre secondaire	Nebengetriebewelle	Eje secundario
21	12.95610.000	1		Cuscinetto 6205	Bearing 6205	Roulement 6205	Lager 6205	Cojinete 6205
22	12.95605.000	2		Cuscinetto 6203	Bearing 6203	Roulement 6203	Lager 6203	Cojinete 6203
23	12.99710.000	1		Cuscinetto NJ205	Bearing NJ205	Roulement NJ205	Lager NJ205	Cojinete NJ205
24	10.66020.000	1		Anello paraolio 32x45x6x5	Oil seal 32x45x6x5	Joint d'huile 32x45x6x5	Ölschutzring 32x45x6x5	Retén de aceite 32x45x6x5
25	10.66620.000	1		Anello or 25,12x1,78	O-Ring 25,12x1,78	Bague d'étanchéité 25,12x1,78	O-Ring 25,12x1,78	Anillo OR 25,12x1,78
26	006.04.040.00.00	1		Distanziale	Spacer	Entretoise	Distanzstück	Distanciadador
27	006.04.050.00.00	1	Z13	Pignone	Pinion	Pignon	Ritzel	Piñón
28	006.04.052.00.00	1	Z15	Pignone	Pinion	Pignon	Ritzel	Piñón
29	006.04.042.00.00	1		Rondella	Washer	Rondelle	U.Scheibe	Arandela
29	006.04.042.00.00	1		Vite M10x18	Screw M10x18	Vis M10x18	Schraube M10x18	Tornillo M10x18
30	006.01.016.00.00	2		Piastrina fissaggio cuscinetto	Fixing bearing plate	Plaque fixe roulement	Plättchen	Placa fij. cojinete
31	C24.90.002.00.00	2		Vite Torx M6x12 10.9/12.9	Screw Torx M6x12 10.9/12.9	Vis Torx M6x12 10.9/12.9	Schraube Torx M6x12 10.9/12.9	Tornillo Torx M6x12 10.9/12.9
32	006.04.000.80.00	1		Cambio completo	Transmission, assy	Boîte de vitesses	Getriebe komplett	Cambio completo

Tav.05



Pos	Numero	Q.tà	Nota	Descrizione	Description	Dé signation	Beschreibung	Descripciò n
Loc	Number	Q.ty	Note					
Pos	Numé ro	Q.té	Note					
Ps	Nú mero	M.ge	Nota					
Pos	Nummer	C.ad	Anm.					
1	006.05.000.80.00	1		Leva cambio	Gear change lever	Levier comm. chang. vit.	Schalthebel	Palanca cambio
1	006.05.000.80.59	1	RACING	Leva cambio	Gear change lever	Levier comm. chang. vit.	Schalthebel	Palanca cambio
2	11.50010.000	1		Bullone M6x25	Bolt M6x25	Boulon M6x25	Bolzen M6x25	Tornillo M6x25
3	10.52012.000	1		Anello paraolio 14x24.6	Oil seal 14x24.6	Joint d' é tanché ité 14x24.6	Ölschutzring 14x24.6	Retén de aceite 14x24.6
4	11.22320.000	2		Boccola a rulli	Roller bearing	Douille à roulements	Rollenbuchse	Caja de grasa de rodillos
5	27.63020.000	1		Rondella rasamento 14x30x1	Thrust washer 14x30x1	Rondelle de buté e 14x30x1	Anlaufscheibe 14x30x1	Arandela distanciadora 14x30x1
6	006.05.017.00.00	1		Molla ritorno comando cambio	Gearchange return spring	Ressort de retour comm. ch.ge vit.	Rückstellfeder schaltung	Muelle de retorno cambio
7	16.92911.000	1		Guida molla	Spring guide	Guide ressort	Federführung	Guía de resorte
8	006.05.016.00.00	1		Molla 0,8MM	Spring 0,8MM	Ressort 0,8MM	Feder 0,8MM	Muelle 0,8MM
9	006.05.014.80.00	1		Ventaglio mobile	Movable pawl	Eventail mobile	Schaltautomat	Abanico móvil
10	006.05.010.80.00	1		Albero comando cambio completo	Gearshift shaft	Arbre de vitesse	Schaltwelle	Eje mando cambio
13	006.05.020.00.00	2		Forchetta 1/4	Fork 1/4	Fourchette 1/4	Schaltgabel 1/4	Horquilla 1/4
14	006.05.021.00.00	1		Forchetta 5/6	Fork 5/6	Fourchette 5/6	Schaltgabel 5/6	Horquilla 5/6
15	006.05.027.00.00	3		Boccola 6x8.5.2.	Bush 6x8.5.2.	Moyeu 6x8.5.2.	Bü chse 6x8.5.2.	Buje 6x8.5.2.
16	026.05.025.00.00	2		Perno forchetta	Spindle, fork	Axe de fourche	Schaltgabelstift	Perno de la horquilla
17	12.93405.000	2		Cuscinetto 61805	Bearing 61805	Roulement 61805	Lager 61805	Cojinete 61805
18	006.05.030.00.00	1		Camma cambio	Selector drum	Barillet de sé lection boi te de vit.	Schaltwalze	Leva de la caja de cambios
19	029.05.001.80.00	1		Camma Arresto Marce	Gear Stopper Cam	Came Buté e Vitesses	Gangsperrnocken	Leva Parada Marchas
20	31.45115.000	1		Vite M6X30	Screw M6X30	Vis M6X30	Schraube M6X30	Tornillo M6X30
21	C24.24.045.00.00	2		Vite a brugola TCCE 5x10	Allen screw TCCE 5x10	Vis à 6 pans TCCE 5x10	Sechskantschraube TCCE 5x10	Tornillo a llave allen TCCE 5x10
22	029.05.031.00.00	1		Piastrina fissaggio cuscinetto	Fixing bearing plate	Plaquette fix. roulement	Plättchen	Placa fij. cojinete
25	029.05.050.80.00	1		Leva arresto marce	Gear stop lever	Levier arré t vit.	Gangstopfhebel	Palanca arresto vel.
26	22.39591.000	1		Molla arresto marce	Gear stop spring	Ressort arré t vit.	Gangstopffeder	Muelle arresto vel.
27	029.05.054.00.00	1		Distanziale	Spacer	Entretoise	Distanzstück	Distanciador
28	27.42000.100	1		Rondella 6x20.1,0	Washer 6x20.1,0	Rondelle 6x20.1,0	U.Scheibe 6x20.1,0	Arandela 6x20.1,0
29	31.30780.000	1		Vite TBIB M6x20	Screw TBIB M6x20	Vis TBIB M6x20	Schraube TBIB M6x20	Tornillo TBIB M6x20

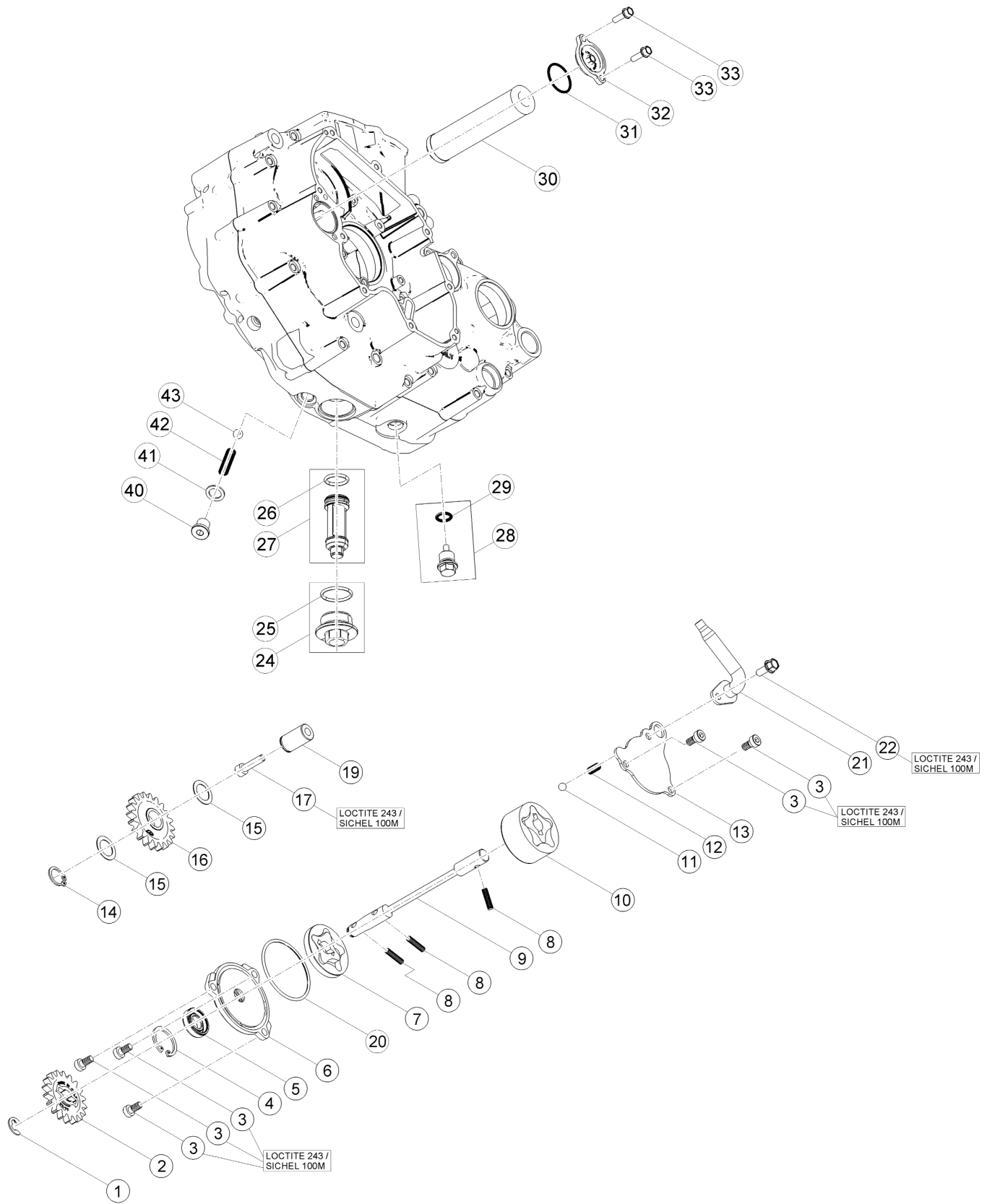
Tav.07



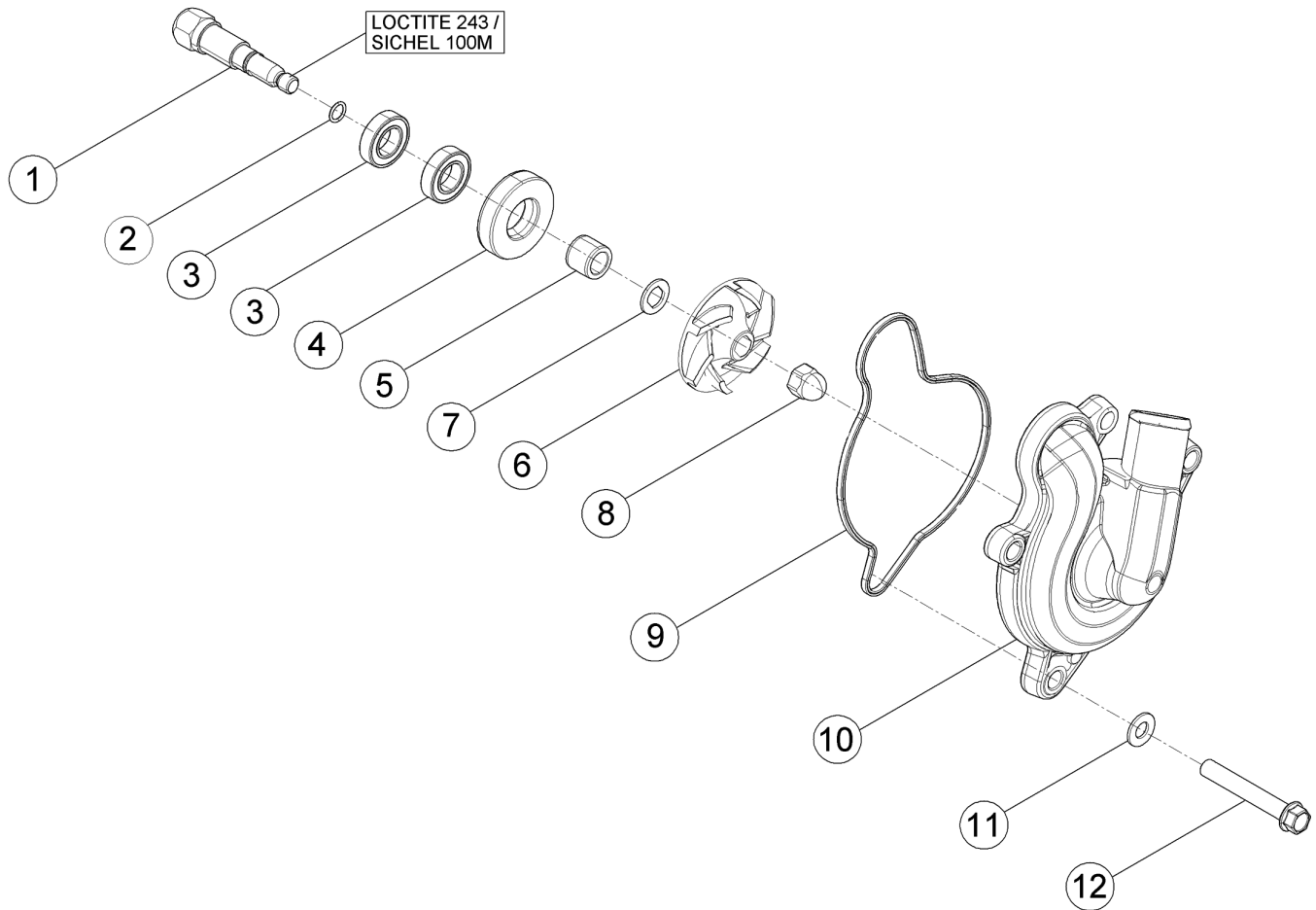
© Copyright 2017 Betamotor S.p.A.

Pos Loc	Numero	Q.tà	Nota	Descrizione	Description	Dé signation	Beschreibung	Descrìciò n
Pos	Numé ro	Q.té	Note					
Ps	Nú mero	M.ge	Nota					
Pos	Nummer	C.ad	Anm.					
1	029.07.000.80.00	1		Motorino avviamento 0,45KW	Starter motor 0,45KW	Moteur du dé marreur 0,45KW	Startermotor 0,45KW	Motor de arranque 0,45KW
2	36.25056.000	1		Anello OR 25,00x3,00	O-Ring 25,00x3,00	Bague d' é tanché ité 25,00x3,00	O-Ring 25,00x3,00	Anillo OR 25,00x3,00
3	11.50010.000	2		Bullone 6x25 ch8 rs	Bolt 6x25 ch8 rs	Boulon 6x25 ch8 rs	Bolzen 6x25 ch8 rs	Tornillo 6x25 ch8 rs
4	029.07.010.80.00	1		Limitatore di coppia	Torque limiting	Limiteur de coupe	Drehmomentbegrenzer - Gefü hrte Puffer	Limitador de par de torsion
5	27.42000.100	2		Rondella spessoramento 6x20x1	Spacer washer 6x20x1	Entretoise 6x20x1	Distanzscheibe 6x20x1	Arandela distanciadora 6x20x1
6	11.50010.000	1		Bullone M6x25	Bolt M6x25	Boulon M6x25	Bolzen M6x25	Tornillo M6x25
7	029.07.020.00.00	1		Ingranaggio	Gear	Engrenage	Zahnrad	Engranaje
8	28.24460.000	1		Seeger 16x1	Circlip 16x1	Circlip 16x1	Seeger 16x1	Seeger 16x1
9	029.07.030.00.00	1		Ingranaggio avviamento	Starter gear	Engrenage du dé marreur	Starterzahnrad	Engranaje puesta en marcha
10	006.07.031.00.00	1		Boccola a rulli HK 2516	Roller bearing HK 2516	Douille à roulements HK 2516	Rollenbuchse HK 2516	Caja de grasa de rodillos HK 2516
11	006.07.040.00.00	1		Ruota libera	Free wheel	Roue libre	Freilauf	Rueda libre
12	029.07.025.00.00	2		Piastrina ingranaggio avviamento	Starter gear plate	Plaquette engrenage du dé marreur	Plättchen starterzahnrad	Placa engranaje puesa en marcha
13	C24.24.045.00.00	2		Vite a brugola TCCE 5x10	Allen screw TCCE 5x10	Vis à 6 pans TCCE 5x10	Sechskantschraube TCCE 5x10	Tornillo a llave allen TCCE 5x10

Tav.08

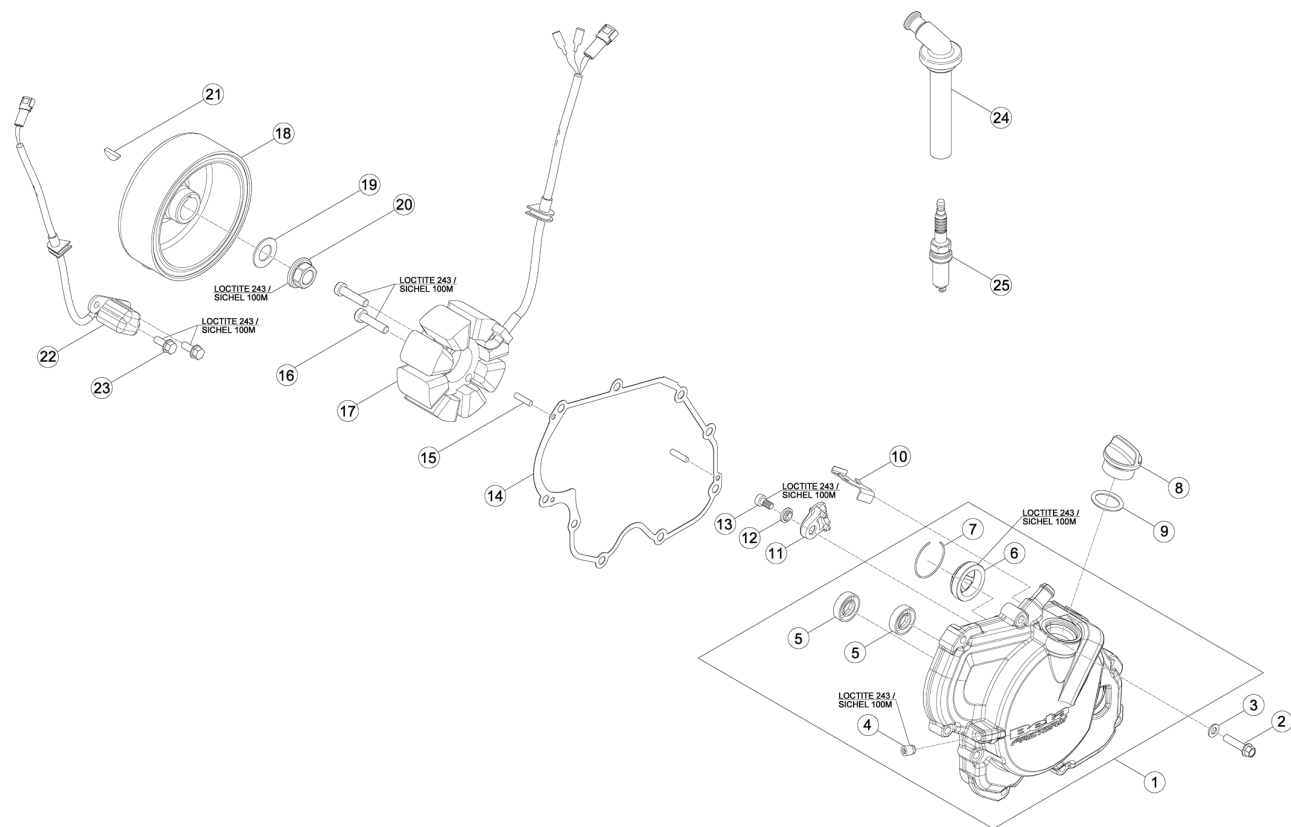


Pos Loc Pos Ps Pos	Numero Number Numéro Número Nummer	Q.tà Q.ty Q.té M.ge C.ad	Nota Note Note Nota Anm.	Descrizione	Description	Dé signation	Beschreibung	Descriscìo n
1	28.22645.000	1		Seeger RA 7	Circlip RA 7	Circlip RA 7	Seeger RA 7	Seeger RA 7
2	006.08.022.00.00	1		Ingranaggio pompa olio	Oil pump gear	Engrenage pompe huile	Zahnrad Ölpumpe	Engranaje bomba aceite
3	C24.24.045.00.00	5		Vite a brugola TCCE 5x10	Allen screw TCCE 5x10	Vis à 6 pans TCCE 5x10	Sechskantschraube TCCE 5x10	Tornillo a llave allen TCCE 5x10
4	28.25502.000	1		Seeger JS24	Circlip JS24	Circlip JS24	Seeger JS24	Seeger JS24
5	10.44695.000	1		Anello paraolio 10x22.6	Oil seal 10x22.6	Joint d' é tanché ité 10x22.6	Ölschutzring 10x22.6	Reté n de aceite 10x22.6
6	029.08.011.00.00	1		Coperchio pompa olio pressione	Oil perssure pump cover	Couvercle pompe à huile refoulement	Deckel Druckölpumpe	Tapa bomba aceite mandata
7	006.08.010.80.00	1		Pompa olio D=40,56 B=5	Oil pump D=40,56 B=5	Pompe huile D=40,56 B=5	Ölpumpe D=40,56 B=5	Bomba aceite D=40,56 B=5
8	12.93384.000	3		Rullino 4x15,8	Roller 4x15,8	Rouleau 4x15,8	Rolle 4x15,8	Rodillo 4x15,8
9	006.08.120.00.00	1		Albero pompa olio	Oil pump shaft	Arbre de pompe à huile	Ölpumpenwelle	Eje bomba aceite
10	006.08.000.80.00	1		Pompa olio D=40,56 B=19	Oil pump D=40,56 B=19	Pompe huile D=40,56 B=19	Ölpumpe D=40,56 B=19	Bomba aceite D=40,56 B=19
11	28.90220.000	1		Sfera Dx5,5	Ball Dx5,5	Bille Dx5,5	Kugel Dx5,5	Bola Dx5,5
12	006.08.041.00.00	1		Molla	Spring	Ressort	Feder	Muelle
13	029.08.010.00.00	1		Coperchio pompa olio aspirazione	Oil intake pump cover	Couvercle pompe à huile aspiration	Deckel Ölsaugpumpe	Tapa bomba aceite aspiraciò n
14	28.22810.000	1		Seeger A13	Circlip A13	Circlip A13	Seeger A13	Seeger A13
15	27.61395.050	2		Rondella spessoramento 13x19,0,50	Spacer washer 13x19,0,50	Entretoise 13x19,0,50	Distanzscheibe 13x19,0,50	Arandela distanciadora 13x19,0,50
16	029.08.030.00.00	1		Rinvio ingranaggio pompa olio	Oil pump gear	Renvoi engrenage pompe huile	Zahnrad Ölpumpe	Reenvi o engranaje bomba aceite
17	31.30015.000	1		Vite a brugola 5x20	Allen screw 5x20	Vis à 6 pans 5x20	Sechskantschraube 5x20	Tornillo a llave allen 5x20
19	006.08.032.00.00	1		Perno	Pin	Pivot	Zapfen	Perno
20	10.66934.000	1		Anello OR 45 x 2	O-Ring 45 x 2	Bague d' é tanché ité 45 x 2	O-Ring 45 x 2	Anillo OR 45 x 2
21	029.08.002.80.00	1		Raccordo tubo olio	Oil channel joint	Raccord tuyau huile	Ölschlauchanschluß	Racor tubo aceite
22	11.46251.000	1		Bullone flangiato M5x12	Head Flanged bolt M5x12	Boulon Bridé M5x12	Bundbolzen M5x12	Bulón con Brida M5x12
24	029.08.050.80.00	1		Tappo scarico olio	Oil exh. plug	Bouchon dech. huile	Oelablassschraube	Tapón de descarge aceite
25	10.66321.000	1		Anello OR 17,17x1,78	O-Ring 17,17x1,78	Bague d' é tanché ité 17,17x1,78	O-Ring 17,17x1,78	Anillo OR 17,17x1,78
26	10.66168.000	1		Anello OR 12x2	O-Ring 12x2	Bague d' é tanché ité 12x2	O-Ring 12x2	Anillo OR 12x2
27	029.08.051.80.00	1		Filtro olio	Oil filter	Filtre à huile	Ölfilter	Filtro de aceite
28	006.08.152.80.00	1		Tappo scarico olio	Oil exh. plug	Bouchon dech. huile	Oelablassschraube	Tapón de descarge aceite
29	10.66164.000	1		Anello Or 11x2,5 nbr70 sh	O-Ring 11x2,5 nbr70 sh	Bague d' é tanché ité 11x2,5 nbr70 sh	O-Ring 11x2,5 nbr70 sh	Anillo OR 11x2,5 nbr70 sh
30	006.08.070.00.00	1		Filtro olio	Oil filter	Filtre à huile	Ölfilter	Filtro de aceite
31	10.66685.000	1		Anello OR 28,1,5 VITON	O-Ring 28,1,5 VITON	Bague d' é tanché ité 28,1,5 VITON	O-Ring 28,1,5 VITON	Anillo OR 28,1,5 VITON
31	10.66675.000	1	RACING	Anello OR 27,2	O-Ring 27,2	Bague d' é tanché ité 27,2	O-Ring 27,2	Anillo OR 27,2
32	029.08.060.00.00	1		Tappo filtro olio	Oil filter plug	Bouchon filtre huile	Ölfilterverschluss	Tapa filtro aceite
32	029.15.001.00.00	1	RACING	Tappo filtro olio	Oil filter plug	Bouchon filtre huile	Ölfilterverschluss	Tapa filtro aceite
33	11.48025.000	2		Bullone 6x16 ch 8 rs	Bolt 6x16 ch 8 rs	Boulon 6x16 ch 8 rs	Bolzen 6x16 ch 8 rs	Tornillo 6x16 ch 8 rs
40	36.25062.000	1		Tappo M12 X 1,5	Plug M12 X 1,5	Bouchon M12 X 1,5	Verschluß M12 X 1,5	Tapón M12 X 1,5
41	27.60265.000	1		Rondella rasamento 12x18x1,5	Thrust washer 12x18x1,5	Rondelle de buté e 12x18x1,5	Anlaufscheibe 12x18x1,5	Arandela distanciadora 12x18x1,5
42	029.08.040.00.00	1		Molla	Spring	Ressort	Feder	Muelle
43	28.90225.000	1		Sfera Dx9	Ball Dx9	Bille Dx9	Kugel Dx9	Bola Dx9



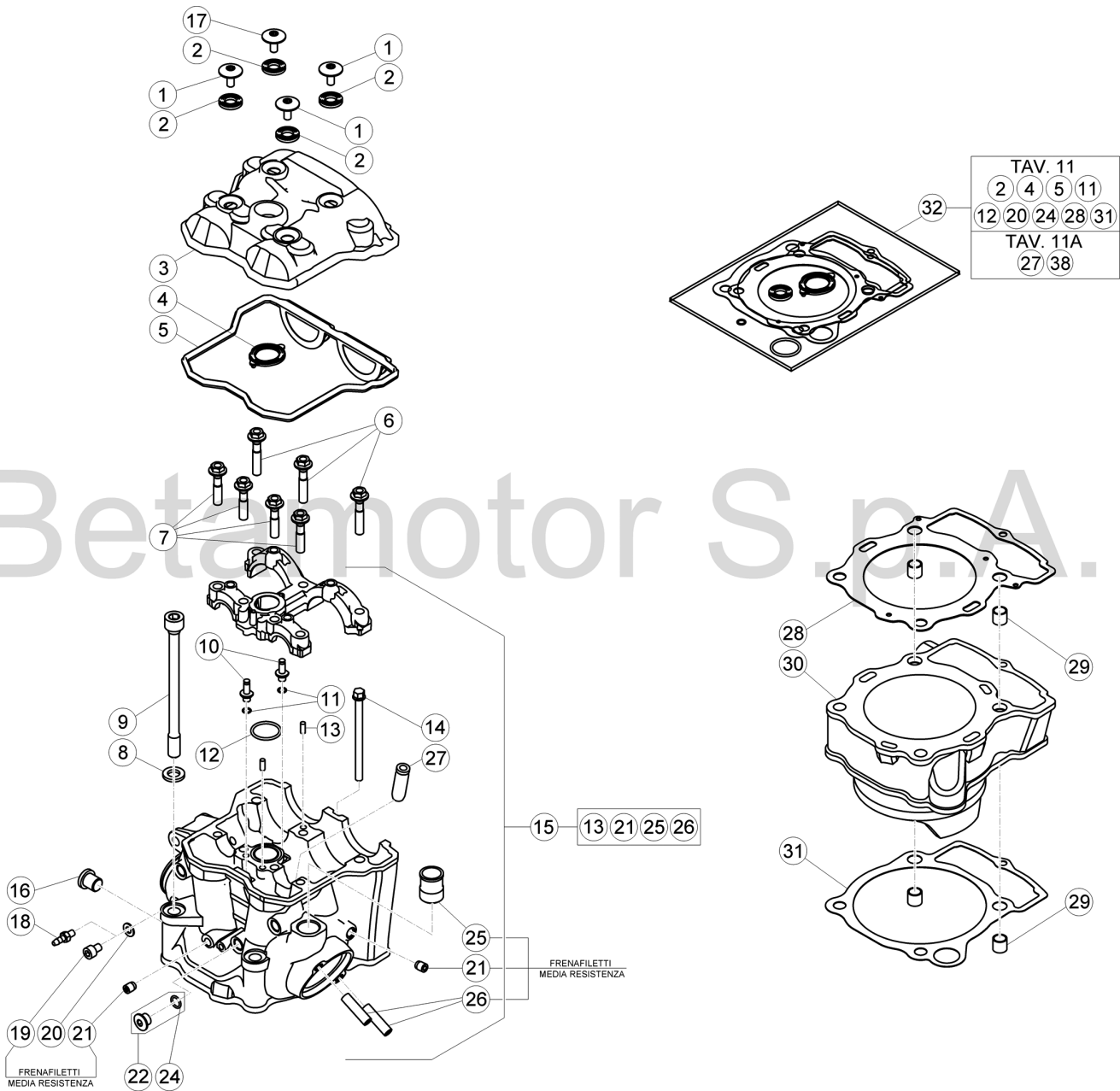
Pos Loc Ps Pos	Numero Number Numéro Número	Q.tà Q.ty Q.té M.ge C.ad	Nota Note Nota Anm.	Descrizione	Description	Dé signation	Beschreibung	Descrìpçì n
1	006.09.010.00.00	1		Albero pompa acqua	Coolant pump shaft	Arbre de pompe a eau	Wasserpumpenwelle	Eje bomba de agua
2	10.66136.000	1		Anello OR 5,5x1	O-Ring 5,5x1	Bague d' é tanché ité 5,5x1	O-Ring 5,5x1	Anillo OR 5,5x1
3	12.93400.000	2		Cuscinetto 10x19.5	Bearing 10x19.5	Roulement 10x19.5	Lager 10x19.5	Cojinete 10x19.5
4	10.48030.000	1		Anello paraolio 12x30.7	Oil seal 12x30.7	Joint d' é tanché ité 12x30.7	Ölschutzring 12x30.7	Reté n de aceite 12x30.7
5	006.09.011.00.00	1		Boccola 8x12.10	Bush 8x12.10	Mayeu 8x12.10	Büchse 8x12.10	Buje 8x12.10
6	006.09.000.00.00	1		Girante pompa	Rotor	Roue de pompe	Wasserpumpenrad	Rotor de la bomba
7	006.09.012.00.00	1		Rondella	Washer	Rondelle	U.Scheibe	Arandela
8	13.11520.000	1		Dado M6X1	Nut M6X1	Ecrou M6X1	Mutter M6X1	Tuerca M6X1
9	006.09.021.00.00	1		Guarnizione pompa acqua	Water pump gasket	Joint pompe eau	Dichtung Wasserpumpe	Empaque bomba agua
10	006.09.020.00.00	1		Coperchio pompa acqua	Water pump cover	Couvercle pompe à eau	Wasserpumpendeckel	Tapa bomba agua
11	27.40490.000	1		Rondella in rame 6x10x2	Copper washer 6x10x2	Rondelle en cuivre 6x10x2	Kupfer U.Scheibe 6x10x2	Arandela de cobre 6x10x2
12	11.50360.000	4		Bullone M6x40	Bolt M6x40	Boulon M6x40	Bolzen M6x40	Tornillo M6x40

Tav.10



Pos	Numero	Q.tà	Nota	Descrizione	Description	Dé signation	Beschreibung	Descrisción
Loc	Number	Q.ty	Note					
Pos	Numéro	Q.té	Note					
Ps	Número	M.ge	Nota					
Pos	Nummer	C.ad	Anm.					
1	027.01.050.80.00	1		Coperchio volano	Flywheel cover	Carter volant	Schwungraddeckel	Tapa volante
2	11.50010.000	9		Bullone M6x25	Bolt M6x25	Boulon M6x25	Bolzen M6x25	Tornillo M6x25
3	27.58000.000	1		Rondella	Washer	Rondelle	U.Scheibe	Arandela
4	006.01.021.00.00	1		Tappo olio ad espansione 7X9	Oil expansion plug 7X9	Bouchon d'huile à expansion 7X9	Öl-expansionsstopfen 7X9	Tapó n extensible del aceite 7X9
5	10.44690.000	2		Anello paraolio 10x22.6	Oil seal 10x22.6	Joint d'huile à lanière 10x22.6	Ölschutzring 10x22.6	Retén de aceite 10x22.6
6	006.01.056.00.00	1		Oblò ispezione livello olio	Oil level sight glass	Hublot d'inspection niveau huile	Ölkontrollschauglas	Visor de inspección nivel aceite
7	28.25680.000	1		Seeger 30X1	Circlip 30X1	Circlip 30X1	Seeger 30X1	Seeger 30X1
8	29.09601.000	1		Tappo alimentazione olio	Oil filling cap	Bouchon rempl. huile	Öleinfüllstopfen	Tapó n introducció n aceite
8	29.09601.053	1	RACING	Tappo alimentazione olio	Oil filling cap	Bouchon rempl. huile	Öleinfüllstopfen	Tapó n introducció n aceite
9	10.66340.000	1		Anello OR 16x3	O-Ring 16x3	Bague d'huile à lanière 16x3	O-Ring 16x3	Anillo OR 16x3
10	006.01.054.00.00	1		Piastrina	Plate	Plaquette	Plättchen	Placa
11	006.11.070.00.00	1		Guida catena	Chain guide	Guide chaîne	Kettenführung	Guí a cadena
12	029.08.081.00.00	1		Boccola	Bush	Moyeu	Büchse	Buje
13	C24.24.045.00.00	1		Vite a brugola TCCE 5x10	Allen screw TCCE 5x10	Vis à 6 pans TCCE 5x10	Sechskantschraube TCCE 5x10	Tornillo a llave allen TCCE 5x10
14	006.01.051.00.00	1		Guarnizione coperchio volano	Alternator cover gasket	Garniture couvercle alternateur	Alternatordeckeldichtung	Junta tapa alternador
15	12.93384.000	2		Rullino 4x15,8	Roller 4x15,8	Rouleau 4x15,8	Rolle 4x15,8	Rodillo 4x15,8
16	C24.24.039.00.00	3		Vite a brugola TCCE M5x30	Allen screw TCCE M5x30	Vis à 6 pans TCCE M5x30	Sechskantschraube TCCE M5x30	Tornillo a llave Allen TCCE M5x30
17	006.10.120.00.00	1		Statore	Backplate	Stator	Ankerplatte	Estator
18	006.10.110.00.00	1		Rotore	Rotor	Rotor	Rotor	Rotor
19	27.74810.000	1		Rondella elastica	Spring Washer	Rondelle élastique	Federring	Arandela elástica
20	13.25010.000	1		Dado M12x1	Nut M12x1	Ecrou M12x1	Mutter M12x1	Tuerca M12x1
21	12.46020.000	1		Chiavetta 3x5	Key 3x5	Clavette 3x5	Keil 3x5	Chaveta 3x5
22	006.10.030.00.00	1		Pick up	Pick-up	Capteur	Pick-up	Pick-up
23	11.46251.000	2		Bullone flangiato M5x12	Head Flanged bolt M5x12	Boulon Bridé M5x12	Bundbolzen M5x12	Bulón con Brida M5x12
24	006.10.055.00.00	1		Cappuccio candela	Spark plug cap	Capuchon/couvercle bougie	Zündkerzenkappe	Capuchón de la bujía
25	006.10.050.00.00	1		Candela M12X1,25	Spark plug M12X1,25	Bougie M12X1,25	Zündkerze M12X1,25	Bujía M12X1,25

Tav.11



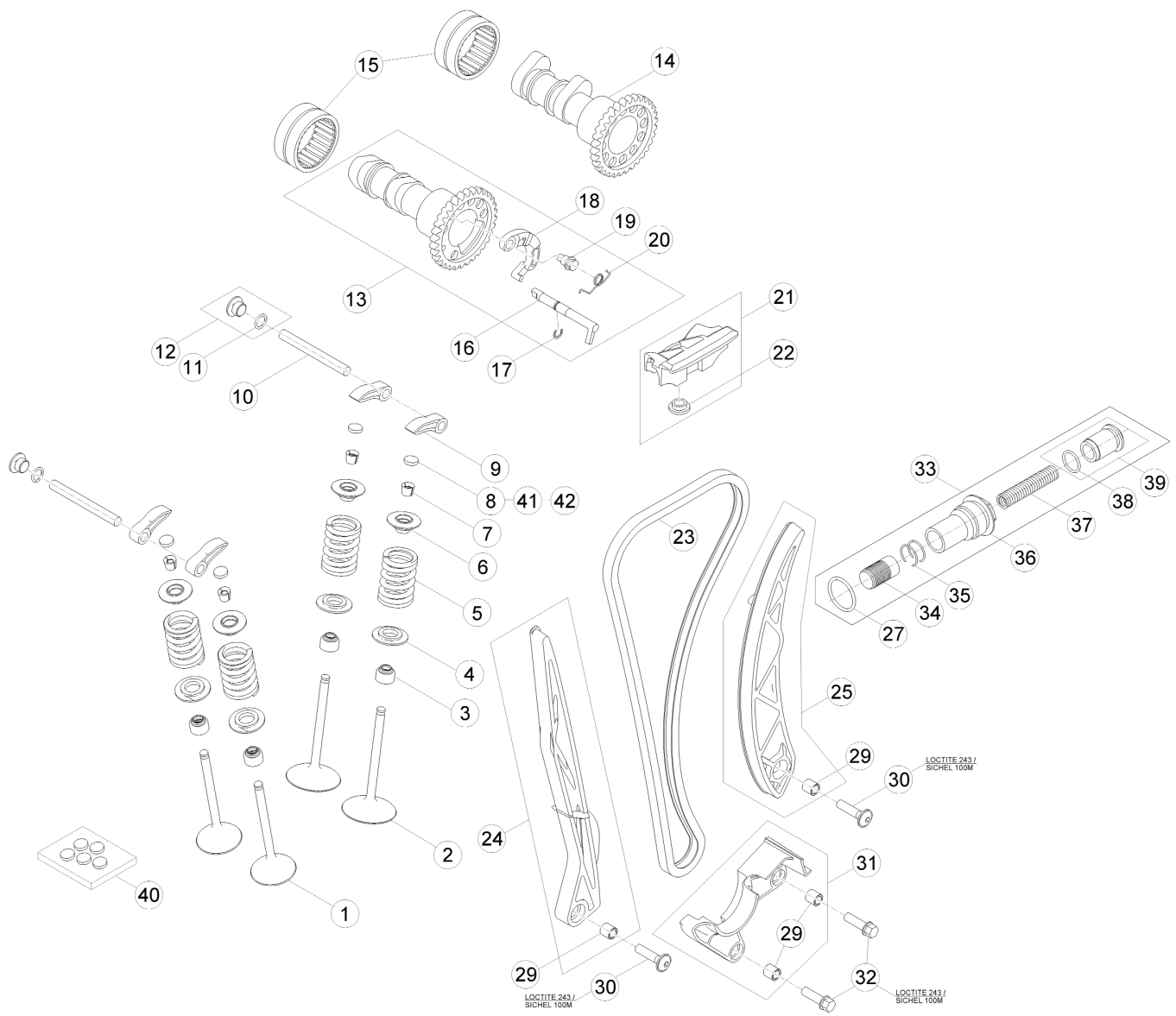
© Copyright 2017 Betamotor S.p.A.



Tav.11

Pos Loc Pos Ps Pos	Numero Number Numéro Nummer	Q.tà Q.ty Q.té M.ge C.ad	Nota Note Note Nota Anm.	Descrizione	Description	Dé signation	Beschreibung	Descrpiò n
1	006.11.025.00.00	3		Vite coperchio testa	Cylinder head cover screw	Vis couvercle culasse	Schraube Zylinderkopfabdeckung	Tornillo tapa culata
2	006.11.026.00.00	4		Guarnizione	Packing	Joint	Dichtung	Junta
3	006.11.020.00.52	1		Coperchio testa	Cylinder head cover	Couvercle culasse	Zylinderkopfabdeckung	Tapa culata
4	006.11.022.00.00	1		Guarnizione sede candela	Packing spark-plug connector	Joint fiche bougie	Dichtung Kerzenstecker	Junta enchufe para bujia
5	029.11.021.00.00	1		Guarnizione coperchio testa	Cylinder head cover gasket	Joint couvercle culasse	Dichtung Zylinderkopfabdeckung	Junta tapa culata
6	11.52427.000	3		Bullone speciale 7x38	Special bolt 7x38	Boulon spéciale 7x38	Spezierschraube 7x38	Tornillo especial 7x38
7	11.52425.000	4		Bullone speciale 7x33	Special bolt 7x33	Boulon spéciale 7x33	Spezierschraube 7x33	Tornillo especial 7x33
8	006.11.012.00.00	4		Distanziale 10,5X18,5X2,5	Spacer 10,5X18,5X2,5	Entretoise 10,5X18,5X2,5	Distanzstück 10,5X18,5X2,5	Distanciador 10,5X18,5X2,5
9	022.11.013.00.00	4		Vite M10x1,25 L=127,5	Screw M10x1,25 L=127,5	Vis M10x1,25 L=127,5	Schraube M10x1,25 L=127,5	Tornillo M10x1,25 L=127,5
10	006.11.009.00.00	2		Getto	Jet	Gicleur	Düse	Surtidor
11	10.66136.000	2		Anello OR 5,5x1	O-Ring 5,5x1	Bague d' é tanché ité 5,5x1	O-Ring 5,5x1	Anillo OR 5,5x1
12	10.66495.000	1		Anello OR 22x2	O-Ring 22x2	Bague d' é tanché ité 22x2	O-Ring 22x2	Anillo OR 22x2
13	36.25021.000	2		Rullino 4,0 X 9,8	Roller 4,0 X 9,8	Rouleau 4,0 X 9,8	Rolle 4,0 X 9,8	Rodillo 4,0 X 9,8
14	11.05445.000	1		Bullone 6x80	Bolt 6x80	Boulon 6x80	Bolzen 6x80	Tornillo 6x80
15	028.11.000.80.00	1	350-390cc	Testa completa	Cylinder head	Culasse complete	Zylinderkopf Kpl.	Culata completa
15	029.11.100.80.00	1	430-480cc	Testa completa	Cylinder head	Culasse complete	Zylinderkopf Kpl.	Culata completa
16	029.13.004.00.00	1		Sensore temperatura	Temperature sensor	Capteur de temperature	Wassertemperatursensor	Sensò r temperaturadura
17	006.11.035.00.00	1		Vite di sicurezza	Tab screw	Vis de sûreté	Sicherungs-Schraube	Tornillo de seguridad
18	29.00280.000	1		Tappo presa dep.	Air Vent Plug	Bouchon prise dep.	Verschluss f. Lufteinlass	Tapón Toma Aire dep.
19	C24.24.044.00.00	1		Vite a brugola TCCE 6.8	Allen screw TCCE 6.8	Vis à 6 pans TCCE 6.8	Sechskantschraube TCCE 6.8	Tornillo a llave allen TCCE 6.8
20	27.58000.000	1		Rondella	Washer	Rondelle	U.Scheibe	Arandela
21	006.01.021.00.00	2		Tappo olio ad espansione 7X9	Oil expansion plug 7X9	Bouchon d' huile à expansion 7X9	Öl-expansionsstopfen 7X9	Tapón extensible del aceite 7X9
22	006.11.045.80.00	1		Tappo chiusura albero coperchio frizione	Clutch cover Arm Plug	Bouchon Arbre Couvercle d' embrayage	Endkappe Kupplungsdeckel	Tapa Ciguena embrague
22	006.15.006.80.00	1	RACING	Tappo chiusura albero coperchio frizione	Clutch cover Arm Plug	Bouchon Arbre Couvercle d' embrayage	Endkappe Kupplungsdeckel	Tapa Ciguena embrague
24	10.50010.000	1		Anello OR 8x1,5x	O-Ring 8x1,5x	Bague d' é tanché ité 8x1,5x	O-Ring 8x1,5x	Anillo OR 8x1,5x
25	006.11.108.00.00	1		Raccordo uscita acqua M20x1,25	Water outlet union M20x1,25	Raccord é vacuation d' eau M20x1,25	Anschluß für Wasserblauf M20x1,25	Conexión salida agua M20x1,25
26	006.11.019.00.00	2		Prigioniero M8X30	Stud M8X30	Goujon M8X30	Stiftschraube M8X30	Espárrago M8X30
27	006.11.005.00.00	4		Guida valvola	Valve guide	Guide soupape	Ventilführung	Guí a válvula
28	027.02.063.00.00	1	350-390cc	Guarnizione testa ø88	Cylinder head gasket ø88	Joint Culasse ø88	Zylinderkopfdichtung ø88	Junta de culata ø88
28	029.02.063.00.00	1	430cc	Guarnizione testa	Cylinder head gasket	Joint Culasse	Zylinderkopfdichtung	Junta de culata
28	030.02.063.00.00	1	480cc	Guarnizione testa	Cylinder head gasket	Joint Culasse	Zylinderkopfdichtung	Junta de culata
29	006.02.070.00.00	4		Boccola 10,5x12x11	Bush 10,5x12x11	Moyeu 10,5x12x11	Bü chse 10,5x12x11	Buje 10,5x12x11
30	027.02.060.00.01	1	350-390cc	Cilindro ø88 Misura 1	Cylinder ø88 Size 1	Cylindre ø88 Mesure 1	Zylinder ø88 Typ 1	Cilindro ø88 Medida 1
30	027.02.060.00.02	1	350-390cc	Cilindro ø88 Misura 2	Cylinder ø88 Size 2	Cylindre ø88 Mesure 2	Zylinder ø88 Typ 2	Cilindro ø88 Medida 2
30	029.02.060.00.01	1	430cc	Cilindro 1M	Cylinder 1M	Cylindre 1M	Zylinder 1M	Cilindro 1M
30	029.02.060.00.02	1	430cc	Cilindro 2M	Cylinder 2M	Cylindre 2M	Zylinder 2M	Cilindro 2M
30	030.02.060.00.01	1	480cc	Cilindro 1M	Cylinder 1M	Cylindre 1M	Zylinder 1M	Cilindro 1M
30	030.02.060.00.02	1	480cc	Cilindro 2M	Cylinder 2M	Cylindre 2M	Zylinder 2M	Cilindro 2M
31	027.02.062.00.00	1	350-390cc	Guarnizione base cilindro 0,5mm	Cylinder base gasket 0,5mm	Garniture base cylindre 0,5mm	Dichtung für Zylinderfuß 0,5mm	Junta base cilindro 0,5mm
31	029.02.162.00.00	1	430cc	Guarnizione base cilindro 0,3MM	Cylinder base gasket 0,3MM	Garniture base cylindre 0,3MM	Dichtung für Zylinderfuß 0,3MM	Junta base cilindro 0,3MM
31	029.02.162.00.00	2	480cc	Guarnizione base cilindro 0,3MM	Cylinder base gasket 0,3MM	Garniture base cylindre 0,3MM	Dichtung für Zylinderfuß 0,3MM	Junta base cilindro 0,3MM
32	027.11.010.82.00	1	350-390cc	Busta guarnizioni cilindro-testa	Head-cylinder gaskets set	Etui garnitures cylindre-tête	Beutel mit Zylinderkopfdichtungen	Serie juntas cilindro culata
32	029.11.067.82.00	1	430cc	Busta guarnizioni cilindro-testa	Head-cylinder gaskets set	Etui garnitures cylindre-tête	Beutel mit Zylinderkopfdichtungen	Serie juntas cilindro culata
32	030.11.000.82.00	1	480cc	Busta guarnizioni cilindro-testa	Head-cylinder gaskets set	Etui garnitures cylindre-tête	Beutel mit Zylinderkopfdichtungen	Serie juntas cilindro culata

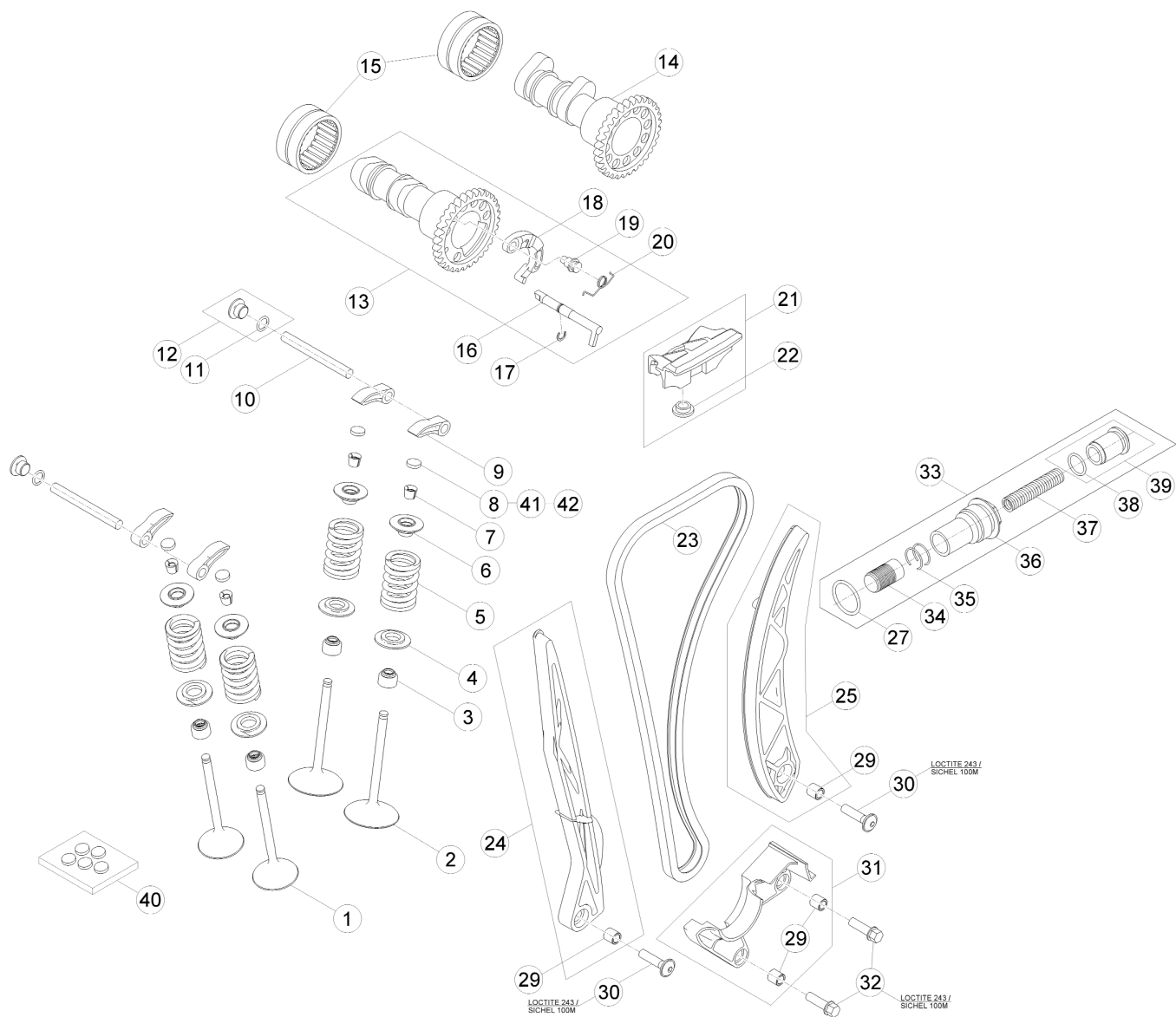
Tav.11A



Tav.11A

Pos Loc Pos Ps Pos	Numero Number Numéro Número Nummer	Q.tà Q.ty Q.té M.ge C.ad	Nota Note Note Nota Anm.	Descrizione	Description	Dé signation	Beschreibung	Descrìciò n
1	027.11.033.00.00	2	350-390cc	Valvola scarico	Exhaust valve	Soupape d' é ch.	Auslaßventil	Và lvula de escape
1	029.11.033.00.00	2	430-480cc	Valvola scarico	Exhaust valve	Soupape d' é ch.	Auslaßventil	Và lvula de escape
2	027.11.032.00.00	2	350-390cc	Valvola aspirazione	Suction valve	Soupape aspir.	Einlaßventil	Và lvula aspiraciò n
2	029.15.032.00.00	2	430-480cc	Valvola aspirazione	Suction valve	Soupape aspir.	Einlaßventil	Và lvula aspiraciò n
3	006.11.139.00.00	4		Gambo Valvole	Gambo Valves	Tige Valves	Ventilschaftdichtung	Brazo Valvulas
4	027.11.037.00.00	4		Scodellino inferiore	Lower stop washer	Rondelle d' arrè t infè rieuse	Unterer Federaufnahme	Platillo inferior
5	027.11.034.00.00	4		Molla valvola	Valve spring	Ressort soupape	Ventilfeder	Muelle vá lvula
6	027.11.036.00.00	4		Scodellino superiore	Upper stop washer	Rondelle d' arrè t supè rieuse	Oberer Federaufnahme	Platillo superior
7	006.11.038.00.00	8		Semicono	Cone, half	Demi bague	Buchse halb	Semicasquillo
8	006.11.040.20.00	1		Rondella spessore 2,000	Shim 2,000	Rondelle entretoise 2,000	Ausgleichscheib 2,000	Arandela suplemento 2,000
8	006.11.040.20.05	1		Rondella spessore 2,050	Shim 2,050	Rondelle entretoise 2,050	Ausgleichscheib 2,050	Arandela suplemento 2,050
8	006.11.040.20.10	1		Rondella spessore 2,100	Shim 2,100	Rondelle entretoise 2,100	Ausgleichscheib 2,100	Arandela suplemento 2,100
8	006.11.040.20.15	1		Rondella spessore 2,150	Shim 2,150	Rondelle entretoise 2,150	Ausgleichscheib 2,150	Arandela suplemento 2,150
8	006.11.040.20.20	1		Rondella spessore 2,200	Shim 2,200	Rondelle entretoise 2,200	Ausgleichscheib 2,200	Arandela suplemento 2,200
8	006.11.040.20.25	1		Rondella spessore 2,250	Shim 2,250	Rondelle entretoise 2,250	Ausgleichscheib 2,250	Arandela suplemento 2,250
8	006.11.040.20.30	1		Rondella spessore 2,300	Shim 2,300	Rondelle entretoise 2,300	Ausgleichscheib 2,300	Arandela suplemento 2,300
8	006.11.040.20.32	1		Rondella spessore 2,325	Shim 2,325	Rondelle entretoise 2,325	Ausgleichscheib 2,325	Arandela suplemento 2,325
8	006.11.040.20.35	1		Rondella spessore 2,350	Shim 2,350	Rondelle entretoise 2,350	Ausgleichscheib 2,350	Arandela suplemento 2,350
8	006.11.040.20.37	1		Rondella spessore 2,375	Shim 2,375	Rondelle entretoise 2,375	Ausgleichscheib 2,375	Arandela suplemento 2,375
8	006.11.040.20.40	1		Rondella spessore 2,400	Shim 2,400	Rondelle entretoise 2,400	Ausgleichscheib 2,400	Arandela suplemento 2,400
8	006.11.040.20.42	1		Rondella spessore 2,425	Shim 2,425	Rondelle entretoise 2,425	Ausgleichscheib 2,425	Arandela suplemento 2,425
8	006.11.040.20.45	1		Rondella spessore 2,450	Shim 2,450	Rondelle entretoise 2,450	Ausgleichscheib 2,450	Arandela suplemento 2,450
8	006.11.040.20.47	1		Rondella spessore 2,475	Shim 2,475	Rondelle entretoise 2,475	Ausgleichscheib 2,475	Arandela suplemento 2,475
8	006.11.040.20.50	1		Rondella spessore 2,500	Shim 2,500	Rondelle entretoise 2,500	Ausgleichscheib 2,500	Arandela suplemento 2,500
8	006.11.040.20.52	1		Rondella spessore 2,525	Shim 2,525	Rondelle entretoise 2,525	Ausgleichscheib 2,525	Arandela suplemento 2,525
8	006.11.040.20.55	1		Rondella spessore 2,550	Shim 2,550	Rondelle entretoise 2,550	Ausgleichscheib 2,550	Arandela suplemento 2,550
8	006.11.040.20.57	1		Rondella spessore 2,575	Shim 2,575	Rondelle entretoise 2,575	Ausgleichscheib 2,575	Arandela suplemento 2,575
8	006.11.040.20.60	1		Rondella spessore 2,600	Shim 2,600	Rondelle entretoise 2,600	Ausgleichscheib 2,600	Arandela suplemento 2,600
8	006.11.040.20.62	1		Rondella spessore 2,625	Shim 2,625	Rondelle entretoise 2,625	Ausgleichscheib 2,625	Arandela suplemento 2,625
8	006.11.040.20.65	1		Rondella spessore 2,650	Shim 2,650	Rondelle entretoise 2,650	Ausgleichscheib 2,650	Arandela suplemento 2,650
8	006.11.040.20.67	1		Rondella spessore 2,675	Shim 2,675	Rondelle entretoise 2,675	Ausgleichscheib 2,675	Arandela suplemento 2,675
8	006.11.040.20.70	1		Rondella spessore 2,700	Shim 2,700	Rondelle entretoise 2,700	Ausgleichscheib 2,700	Arandela suplemento 2,700
8	006.11.040.20.72	1		Rondella spessore 2,725	Shim 2,725	Rondelle entretoise 2,725	Ausgleichscheib 2,725	Arandela suplemento 2,725
8	006.11.040.20.75	1		Rondella spessore 2,750	Shim 2,750	Rondelle entretoise 2,750	Ausgleichscheib 2,750	Arandela suplemento 2,750
8	006.11.040.20.77	1		Rondella spessore 2,775	Shim 2,775	Rondelle entretoise 2,775	Ausgleichscheib 2,775	Arandela suplemento 2,775
8	006.11.040.20.80	1		Rondella spessore 2,800	Shim 2,800	Rondelle entretoise 2,800	Ausgleichscheib 2,800	Arandela suplemento 2,800
8	006.11.040.20.82	1		Rondella spessore 2,825	Shim 2,825	Rondelle entretoise 2,825	Ausgleichscheib 2,825	Arandela suplemento 2,825
8	006.11.040.20.85	1		Rondella spessore 2,850	Shim 2,850	Rondelle entretoise 2,850	Ausgleichscheib 2,850	Arandela suplemento 2,850
8	006.11.040.20.87	1		Rondella spessore 2,875	Shim 2,875	Rondelle entretoise 2,875	Ausgleichscheib 2,875	Arandela suplemento 2,875
8	006.11.040.20.90	1		Rondella spessore 2,900	Shim 2,900	Rondelle entretoise 2,900	Ausgleichscheib 2,900	Arandela suplemento 2,900
8	006.11.040.20.92	1		Rondella spessore 2,925	Shim 2,925	Rondelle entretoise 2,925	Ausgleichscheib 2,925	Arandela suplemento 2,925
8	006.11.040.20.95	1		Rondella spessore 2,950	Shim 2,950	Rondelle entretoise 2,950	Ausgleichscheib 2,950	Arandela suplemento 2,950
8	006.11.040.20.97	1		Rondella spessore 2,975	Shim 2,975	Rondelle entretoise 2,975	Ausgleichscheib 2,975	Arandela suplemento 2,975
8	006.11.040.30.00	1		Rondella spessore 3,000	Shim 3,000	Rondelle entretoise 3,000	Ausgleichscheib 3,000	Arandela suplemento 3,000
8	006.11.040.30.05	1		Rondella spessore 3,050	Shim 3,050	Rondelle entretoise 3,050	Ausgleichscheib 3,050	Arandela suplemento 3,050
8	006.11.040.30.10	1		Rondella spessore 3,100	Shim 3,100	Rondelle entretoise 3,100	Ausgleichscheib 3,100	Arandela suplemento 3,100
8	006.11.040.30.15	1		Rondella spessore 3,150	Shim 3,150	Rondelle entretoise 3,150	Ausgleichscheib 3,150	Arandela suplemento 3,150
8	006.11.040.30.20	1		Rondella spessore 3,200	Shim 3,200	Rondelle entretoise 3,200	Ausgleichscheib 3,200	Arandela suplemento 3,200
9	006.11.030.00.00	4		Bilanciere	Lever	Balancier	Kipphebel	Balancin
10	006.11.031.00.00	2		Perno bilanciere	Rocker shaft	Axe culbuteur	Kipphebel-Federwelle	Eje balancin
11	10.50010.000	3		Anello OR 8x1,5x	O-Ring 8x1,5x	Bague d' é tanché ité 8x1,5x	O-Ring 8x1,5x	Anillo OR 8x1,5x
12	006.11.045.80.00	2		Tappo olio	Oil plug	Bouchon huile	Öleinfü ßlschraube	Tapón aceite
12	006.15.006.80.00	2	RACING	Tappo olio	Oil plug	Bouchon huile	Öleinfü ßlschraube	Tapón aceite
13	027.11.151.80.00	1	350-390cc	Albero a camme SCARICO	Camshaft EXHAUST	Arbre distr. ECHAPPEMENT	Nockenwelle AUSPUFFSEITE	Eje distribuciò n DESCARGA
13	029.11.151.80.00	1	430-480cc	Albero a camme SCARICO	Camshaft EXHAUST	Arbre distr. ECHAPPEMENT	Nockenwelle AUSPUFFSEITE	Eje distribuciò n DESCARGA
14	029.11.150.00.00	1	350-390cc	Albero a camme ASPIRAZIONE	Camshaft INTAKE	Arbre distribution ADMISSION	Nockenwelle ANSAUGSEITE	Eje distribuciò n ASPIRACIÒ N
14	006.11.150.00.00	1	480cc	Albero a camme ASPIRAZIONE	Camshaft INTAKE	Arbre distribution ADMISSION	Nockenwelle ANSAUGSEITE	Eje distribuciò n ASPIRACIÒ N
15	006.11.053.00.00	2		Cuscinetto a rulli	Roller bearing	Roulé ment à aiguilles	Rollenlager	Cojinete de rodillos
16	006.11.156.00.00	1		Albero Di Decompressione	Decompression Shaft	Arbre Decompression	Dekowelle	Ciguenal De Decompression
17	28.22635.000	1		Seeger H7	Circlip H7	Circlip H7	Seeger H7	Seeger H7
18	006.11.155.00.00	1		Massa decompressore	Decompressor weight	Masse dé compression	Masse dekompressor	Masa de descompresiò n
19	006.11.057.00.00	1		Perno	Pin	Pivot	Zapfen	Perno
20	029.11.058.00.00	1		Molla decompressione	Decompression spring	Ressort dé compresseur	Dekompressionsfeder	Muelle, descompresiò n
21	006.11.063.80.00	1		Pattino fisso	Fixed pad	Patin fixe	Fester Laufschuh	Patin n fijo

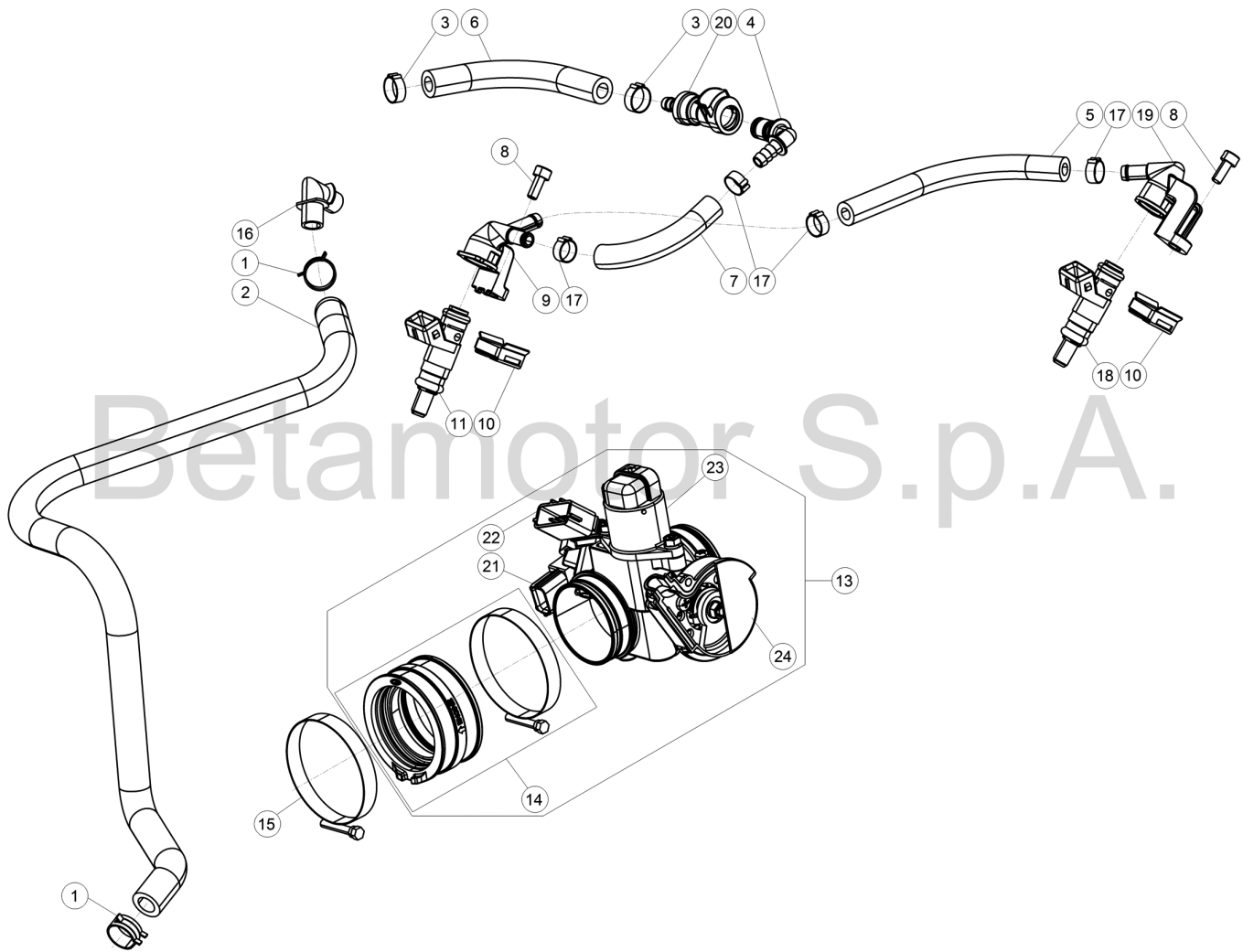
Tav.11A



Tav.11A

Pos Loc Pos Ps Pos	Numero Number Número Nummer	Q.tà Q.ty Q.té M.ge C.ad	Nota Note Note Nota Anm.	Descrizione	Description	Dé signation	Beschreibung	Descripció n
22	006.11.066.00.00	1		Boccola	Bush	Moyeu	Bü chse	Buje
23	022.11.060.00.00	1		Catena distribuzione Z=124	Timing chain Z=124	Chaî ne de distribution Z=124	Ventilsteuerkette Z=124	Cadena distribució n Z=124
24	006.11.061.80.00	1		Pattino fisso	Fixed pad	Patin fixe	Fester Laufschuh	Pati n fijo
25	022.11.062.80.00	1		Pattino mobile	Movable guide	Patin mobile	Gleitstück	Zapata mó vil
27	10.66466.000	1		Anello OR 20x2	O-Ring 20x2	Bague d' é tanché ité 20x2	O-Ring 20x2	Anillo OR 20x2
29	006.11.065.00.00	4		Boccola 6,2x9x9	Bush 6,2x9x9	Moyeu 6,2x9x9	Bü chse 6,2x9x9	Buje 6,2x9x9
30	31.30792.000	2		Vite TBCE 6x25	Screw TBCE 6x25	Vis TBCE 6x25	Schraube TBCE 6x25	Tornillo TBCE 6x25
31	022.11.064.80.00	1		Protezione catena	Chain protection	Chaî ne protection	Schutzstück Kette	Protecció n cadena
32	11.49070.000	2		Bullone 6x20 ch rs	Bolt 6x20 ch rs	Boulon 6x20 ch rs	Bolzen 6x20 ch rs	Tornillo 6x20 ch rs
33	006.11.167.80.00	1		Tendicatena completo	Chain tightener assy.	Tendeur de chaî ne compet	Kettenspanner komplett	Tensor de cadena compl.
34	006.11.167.20.00	1		Pistone	Piston	Piston	Kolben	Pistó n
35	28.23105.000	2		Seeger RB14 DIN 7993	Circlip RB14 DIN 7993	Circlip RB14 DIN 7993	Seeger RB14 DIN 7993	Seeger RB14 DIN 7993
36	006.11.167.10.00	1		Bullone tendicatena	Chain tightening bolt	Boulon tendeur de chaî ne	Bolzen Kettenspanner	Perno tensionador de cadena
37	006.11.267.30.00	1		Molla tendicatena	Chain tight. spring	Ress.t tend. de ch.	Kettenspanner feder	Muelle tens. de cad.
38	10.66175.000	1		Anello OR 13x1.5	O-Ring 13x1.5	Bague d' é tanché ité 13x1.5	O-Ring 13x1.5	Anillo OR 13x1.5
39	006.11.168.80.00	1		Tappo completo	Complete cap	Bouchon complet	Verschluß komplett	Tapó n completo
40	006.45.001.80.00	1		Kit spessori valvole	Valves insert kit	Jeu elements soupapes	Kit ventileinsatzen	Kit elementos de valvulas

Tav.13

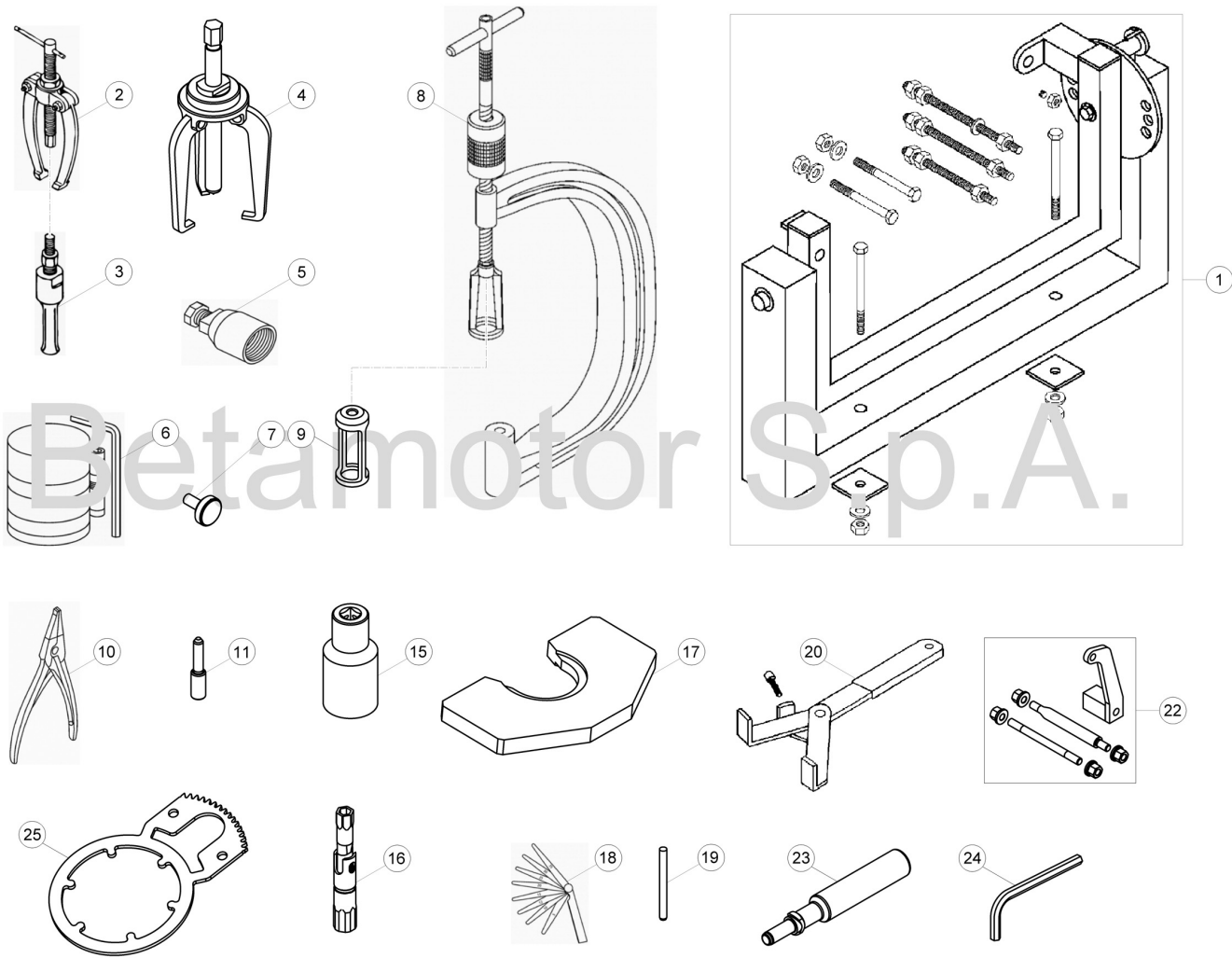


© Copyright 2018 Betamotor S.p.A.

Tav.13

Pos Loc Pos Ps Pos	Numero Number Numéro Número	Q.tà Q.ty Q.té M.ge C.ad	Nota Note Note Nota Anm.	Descrizione	Description	Dé signation	Beschreibung	Descripció n
1	10.67470.000	2		Anello stringitubo	Pipe clamping ring	Anneau serre-tube	Schlauchschele	Anillo prensatubo
2	029.13.002.00.00	1		Tubo ventilazione	Ventilation hose	Tuyau ventilation	Lüftungrohr	Tubo de ventilació n
3	C07.16.002.00.00	2		Fascetta autoaggrappante	Self locking clamp	Collier à autoserrage	Selbstklemmende Schelle	Abrazadera con autobloqueo
4	029.13.008.00.00	1		Raccordo rapido tubo benzina	Quick-coupling union gasoline tube	Raccord rapide tuyau d' essence	Steckanschluß Benzinschlauch	Conexió n rápida tubo gasolina
5	029.13.017.00.00	1		Tubo benzina	Petrol tube	Tuyau d' essence	Benzinschlauch	Tubo gasolina
6	029.13.023.00.00	1		Tubo benzina	Petrol tube	Tuyau d' essence	Benzinschlauch	Tubo gasolina
7	029.13.024.00.00	1		Tubo benzina	Petrol tube	Tuyau d' essence	Benzinschlauch	Tubo gasolina
8	31.29910.000	2		Vite 5x12	Screw 5x12	Vis 5x12	Schraube 5x12	Tornillo 5x12
9	029.13.016.00.00	1		Cappuccio iniettore	Injector cap	Capuchon injecteur	Kappe Einspritzdüse	Capuchó n inyector
10	029.13.009.15.00	2		Staffa fissaggio	Fastening bracket	Bride fix.	Befestigung	Soporte suj.
11	029.13.005.00.00	1		Iniettore	Injector	Injecteur	Einspritzdüse	Inyector
13	029.13.013.80.00	1		Corpo farfallato	Throttle body	Corps papillon	Drosselklappengehä use	Cuerpo con mariposa
14	029.13.000.82.00	1		Collettore aspirazione	Inlet manifold	Collecteur Admission	Ansaugstutzen	Colector aspiració n
15	15.14607.800	1		Fascetta carburatore d.58 con vite + distanziale	Carburetor clamp d.58 with screw + spacer	Collier carburateur d.58 avec vis + entretoise	Schelle Vergaser d.58 mit Schraube + Distanzstück	Abrazadera carburador d.58 con tornillo + distanciador
16	27.11020.000	1		Raccordo a 90°	Joint p. 90°	Raccord 90°	Stutzen 90°	Racor 90°
17	C07.16.003.00.00	4		Fascetta autoaggrappante	Self locking clamp	Collier à autoserrage	Selbstklemmende Schelle	Abrazadera con autobloqueo
18	029.13.018.00.00	1		Iniettore	Injector	Injecteur	Einspritzdüse	Inyector
19	029.13.019.00.00	1		Cappuccio iniettore	Injector cap	Capuchon injecteur	Kappe Einspritzdüse	Capuchó n inyector
20	031.40.125.00.00	1		Connettore tubo benzina	Quick-coupling union gasoline tube	Raccord rapide tuyau d' essence	Steckanschluß Benzinschlauch	Conexió n rápida tubo gasolina
21	029.13.029.00.00	1		Sensore posizione valvola a farfalla	Throttle position sensor	Capteur de position de papillon	Drosselklappensensor	Sensor de posició n del acelerador
22	029.13.030.00.00	1		Sensore temperatura	Temperature sensor	Capteur de température	Temperatursensor	Sensor de temperatura
23	029.13.031.00.00	1		Motore passo-passo	Stepper motor	Moteur pas à pas	Schrittmotor	Schrittmotor
24	029.13.032.00.00	1		Coperchio	Cover	Couvercle	Abdeckung	Tapa

Tav.14

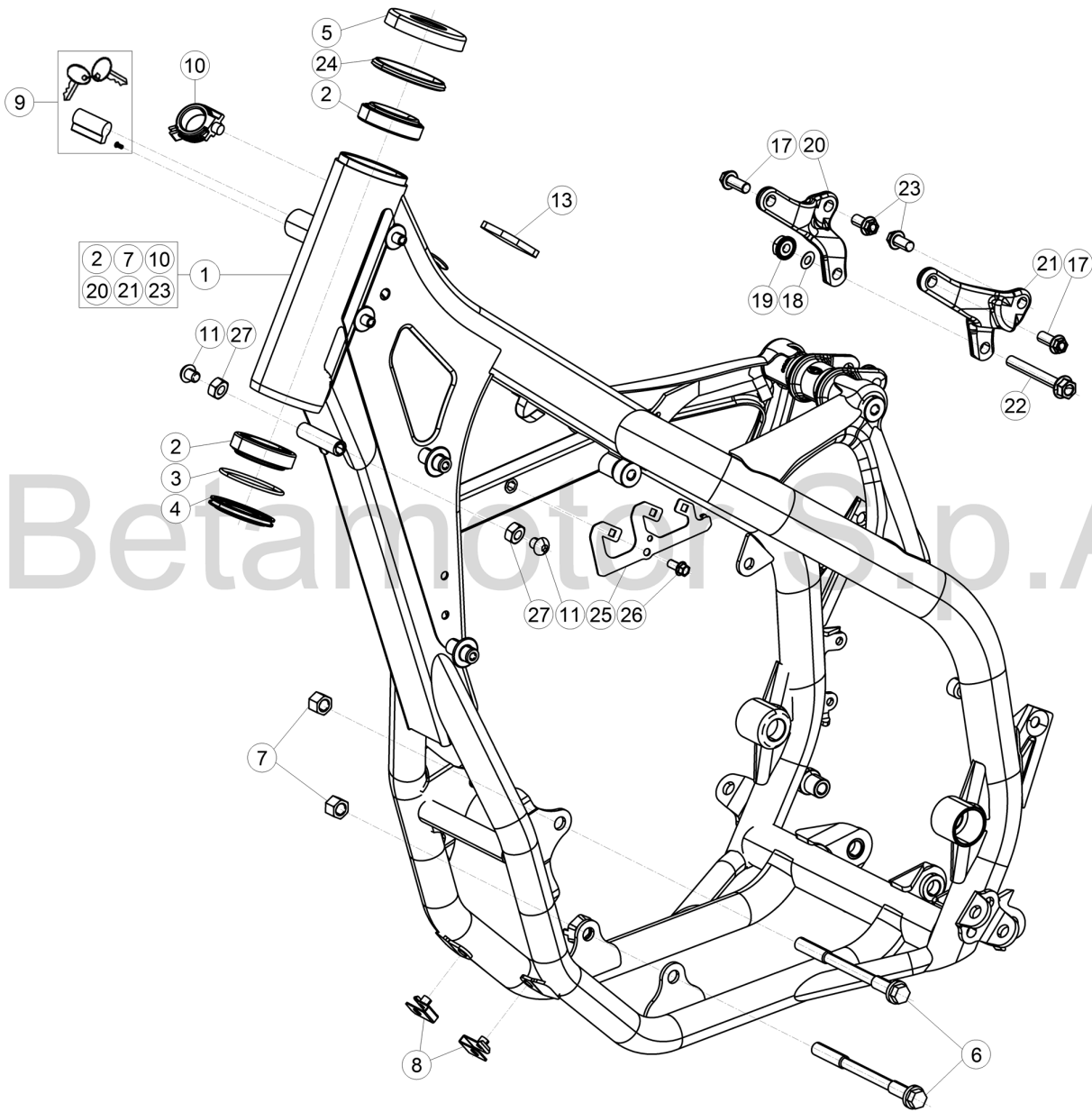


© Copyright 2017 Betamotor S.p.A.

Tav.14

Pos Loc Pos Ps Pos	Numero Number Numé ro Nù mero Nummer	Q.tà Q.ty Q.té M.ge C.ad	Nota Note Note Nota Anm.	Descrizione	Description	Dé signation	Beschreibung	Descripciò n
1	36.25132.000	1		Attrezzatura Mont. Motore	Mounting Rack	Outils Montage Moteur	Montagebock	Aparejos Montaje Motor
2	36.25081.000	1		Estrattore	Extractor	Extracteur	Abziehvorricht	Extractor
3	006.14.016.00.00	1		Estrattore Cuscinetti Interni 20-30MM	Intern. Bearings Puller 20-30MM	Extracteur Roulements Int. 20-30MM	Einsatz 20-30MM	Extractor Cojinetes Int. 20-30MM
4	006.14.015.00.00	1		Estrattore Per Ingranaggi	Extractor For Timing Gear	Extracteur Engranages	Zweiback.Abzieher Steuerritzel	Extractor Engranajes
5	36.25173.000	1		Estrattore volante	Flywheel extractor	Extracteur pour volant	Auszieher für Schwungrad	Extractor volante
6	006.14.017.00.00	1		Serie fasce elastiche	Piston ring set	Jeu de segments piston	Satz kolbenring	Juego de aros de piston
7	006.14.005.00.00	1		Attrezzo sbloccaggio tendicatena	Chain tightener unlocking tool	Deverrouillage tend. de ch.	Entriegelung Kettenspanner	Desenclavamiento tens. de cad.
8	01.00043.000	1		Attrezzo mont.- smont. valvole	Valves ass. and rem. tool	Outil pour mont. dem. soup.	Werkzeug für Ventilmontage	Ut. montaje- desm. vò lvulas
9	006.14.003.00.00	1		Attrezzo per montaggio molle valvola	Valvespring fitting tool	Outil pour montage des ressorts de soupape	Montagewerkzeug für ventillfedern	Utensilio para el montaje del muelle de la válvula
10	36.25097.000	1		Pinza Speciale Anelli	Special Circlip Plier	Pince Speciale Bagues	Seegerringzange Verkehrt	Pinza Especial Anillos
11	006.14.011.00.00	1		Attrezzo per bloccaggio albero motore al PMS	Tool to hold crankshaft in TDC position	Util d' immobilisation du vilebrequin au PMH	Werkzeug für Kurbelwellenblockierung am OT	Herramienta para bloqueo cigüeñal al PMS
15	006.14.002.00.00	1		Chiave a bussola 36MM	Socket wrench 36MM	Cle a douille 36MM	Schlusseinsatz 36MM	Llave de enchufe 36MM
16	020.44.010.00.00	1		Chiave candela	Ignition wrench	Clé à bougie	Zündkerzenschlüssel	Llave buji
17	029.14.007.50.00	1		Attrezzo smontaggio biella	Conn.-rod dismantling Tool	Outil de dé montage bielle	Demontagewerkzeug Pleuel	Herramientas desmontaje biela
18	006.14.021.00.00	1		Calibro per gioco valvole	Valve allowance gauge	Calibre jeu soupapes	Lehre Ventilspiel	Calibre para juego de válvulas
19	006.14.018.00.00	1		Calibro differenziale guida valvola	Valve guide gauge	Guide soupape	Lehre Ventilführung	Calibre para guía a válvula
20	006.14.004.00.00	1		Chiave di fermo mozzo frizione	Clutch hub retaining wrench	Clé d' arret moyeau embrayage	Halterungsschlüssel der Kupplungsnahe	Llave bloquear cubo fricción
22	006.14.014.00.00	1		Fissaggi motore	Engine fasteners	Fixations moteur	Motorbefest.	Fijaciones motor
23	022.14.020.00.00	1		Attrezzo anello elastico spinotto	Piston pin circlip tool	Outil pour bague é l axe de piston	Werkzeug für sprengring zur Bolzenfeststellung	Ut. anillo elástico bloquea-clavija
24	006.44.000.00.00	1		Chiave speciale	Special wrench	Clé speciale	Spezialschlüssel	Llave special
25	029.14.002.50.00	1		Chiave speciale	Special wrench	Clé speciale	Spezialschlüssel	Llave special

Tav.31



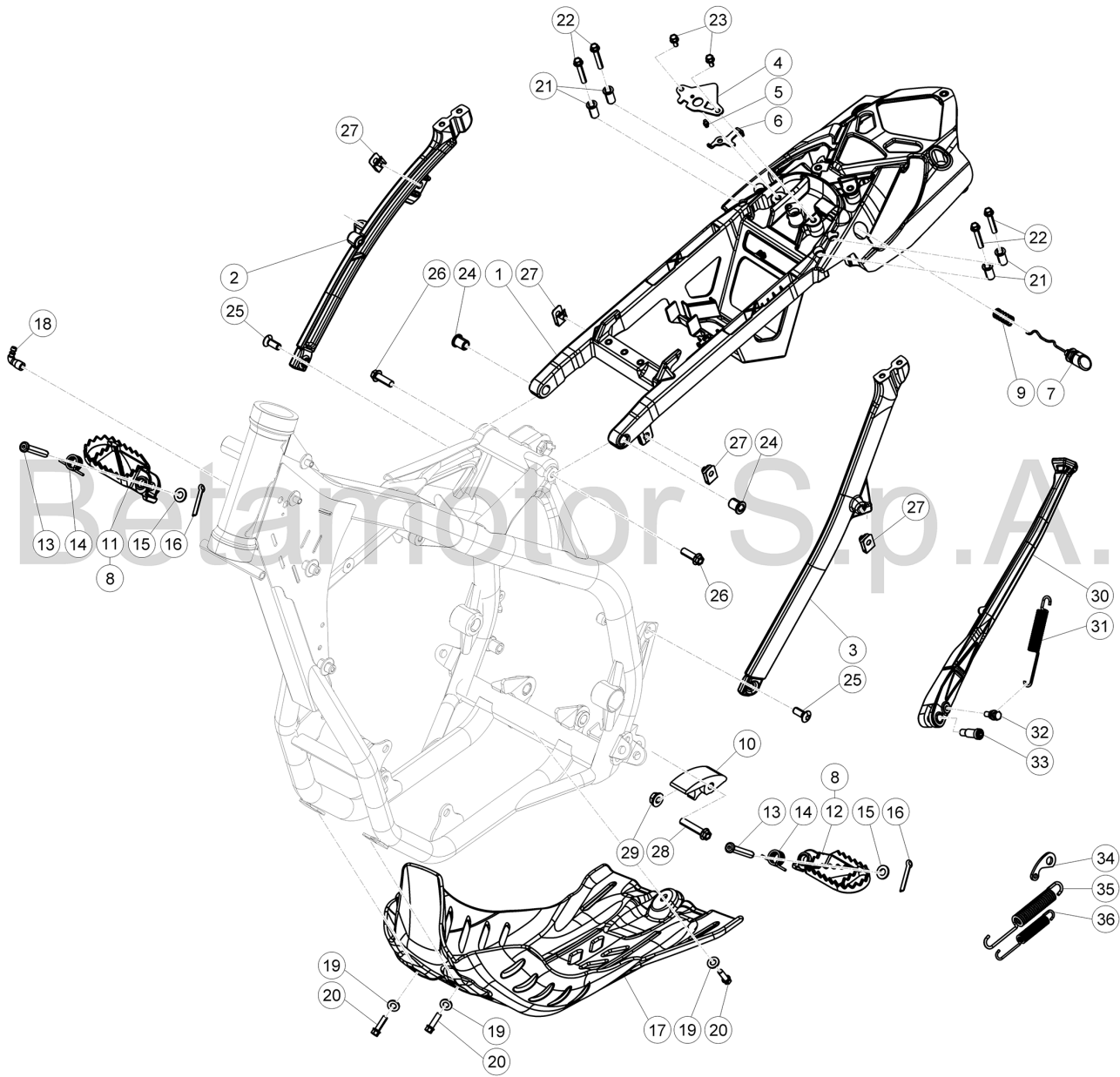
© Copyright 2018 Betamotor S.p.A.



Tav.31

Pos Loc Pos Ps Pos	Numero Number Numéro Número Nummer	Q.tà Q.ty Q.té M.ge C.ad	Nota Note Note Nota Anm.	Descrizione	Description	Dé signation	Beschreibung	Descrìcion
1	031.31.010.80.50	1		Telaio completo	Frame, assy	Chassis complet	Rahmen, kpl	Bastidor compl.
2	12.99510.000	2		Cuscinetto conico 29x50x15	Conical bearing 29x50x15	Roulement conique 29x50x15	Lager 29x50x15	Cojinete conico 29x50x15
3	10.66935.000	1		Anello OR	O-Ring	Bague d' é tanché ité	O-Ring	Anillo OR
4	020.31.039.00.00	1		Anello parapolvere	Dust cover	Disque pare-poussié re	Staubdeckel	Disco gurdapolvere
5	031.31.016.22.00	1		Protezione cuscinetto sterzo	End Cap Bearing	Palier De Bielle	Lagerdeckel	Tapa Rodamiento
6	11.64607.000	2		Perno motore	Engine pin	Axe moteur	Motorbolzen	Perno motor
7	13.21060.000	2		Dado M10X1,25	Nut M10X1,25	Ecrou i M10X1,25	Mutter M10X1,25	Tuerca M10X1,25
8	25.60311.000	2		Piastrina elastica M6	Spring plate M6	Plaquelette é lastique M6	Plättchen M6	Pletina elástica M6
9	28.85861.000	1		Serratura bloccasterzo	Security lock	Serrure blocage guidon	Lenkradschloss	Cerradura bloque manillar
10	25.24441.000	1		Passacavo a scatto	Grommet	Passe-câ ble	Kabeldurchgang	Pasacables
11	31.64060.000	2		Vite TBIB M8.16	Screw TBIB M8.16	Vis TBIB M8.16	Schraube TBIB M8.16	Tornillo TBIB M8.16
13	031.31.035.00.00	1		Tampone serbatoio	Buffer tank	Silentbloc ré servoir	Puffer tank	Silent-block deposito
17	11.54521.000	2		Vite M8X16	Screw M8X16	Vis M8X16	Schraube M8X16	Tornillo M8X16
18	27.49500.000	1		Rondella	Washer	Rondelle	U.Scheibe	Arandela
19	13.17120.000	1		Dado M8	Nut M8	Ecrou M8	Mutter M8	Tuerca M8
20	020.31.144.00.00	1		Staffa fiss. testa dx.	R.H. cylinder head sec. Bracket	Bride fix. Culasse D.	Kopfbefestigungshalterung R.	Brida fij. culata der.
21	020.31.145.00.00	1		Staffa fiss. testa sx.	L.H. cylinder head sec. Bracket	Bride fix. Culasse G.	Kopfbefestigungshalterung L.	Brida fij. culata izq.
22	11.55970.000	1		Bullone M8x65	Bolt M8x65	Boulon M8x65	Bolzen M8x65	Tornillo M8x65
23	11.54521.000	2		Vite M8X16	Screw M8X16	Vis M8X16	Schraube M8X16	Tornillo M8X16
24	031.32.007.00.00	1		Anello di tenuta	Oil seal	Joint spie	Dichtring	Reté n de aceite
25	031.40.126.22.00	1		Staffa	Bracket	Bride	Halterung	Brida
26	11.47015.000	1		Bullone M6x12 RS CH8	Bolt M6x12 RS CH8	Boulon M6x12 RS CH8	Bolzen M6x12 RS CH8	Tornillo M6x12 RS CH8
27	13.16000.000	1		Dado M8.6 CH 13	Nut M8.6 CH 13	Ecrou M8.6 CH 13	Mutter M8.6 CH 13	Tuerca M8.6 CH 13

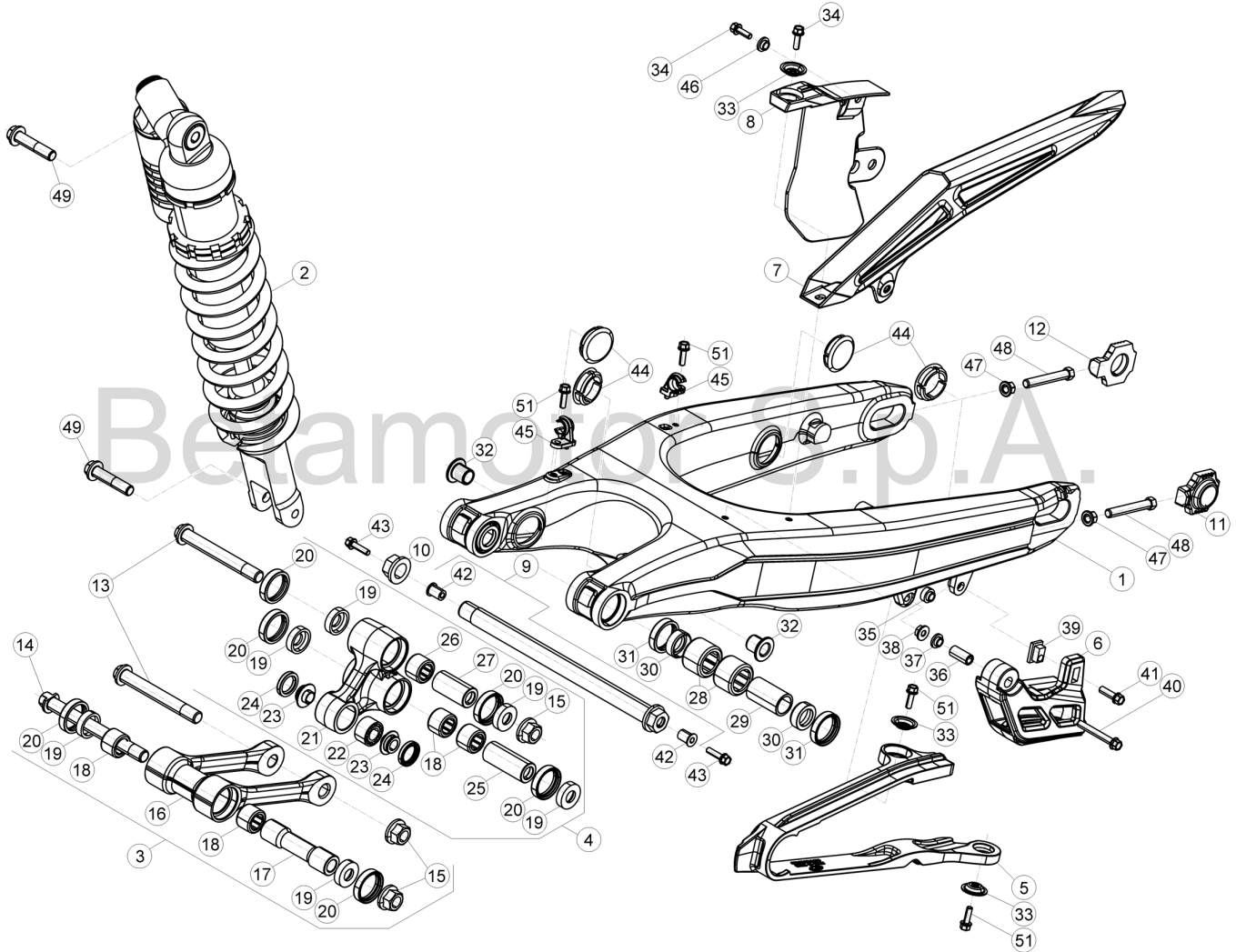
Tav.32



© Copyright 2016 Betamotor S.p.A.

Tav.32

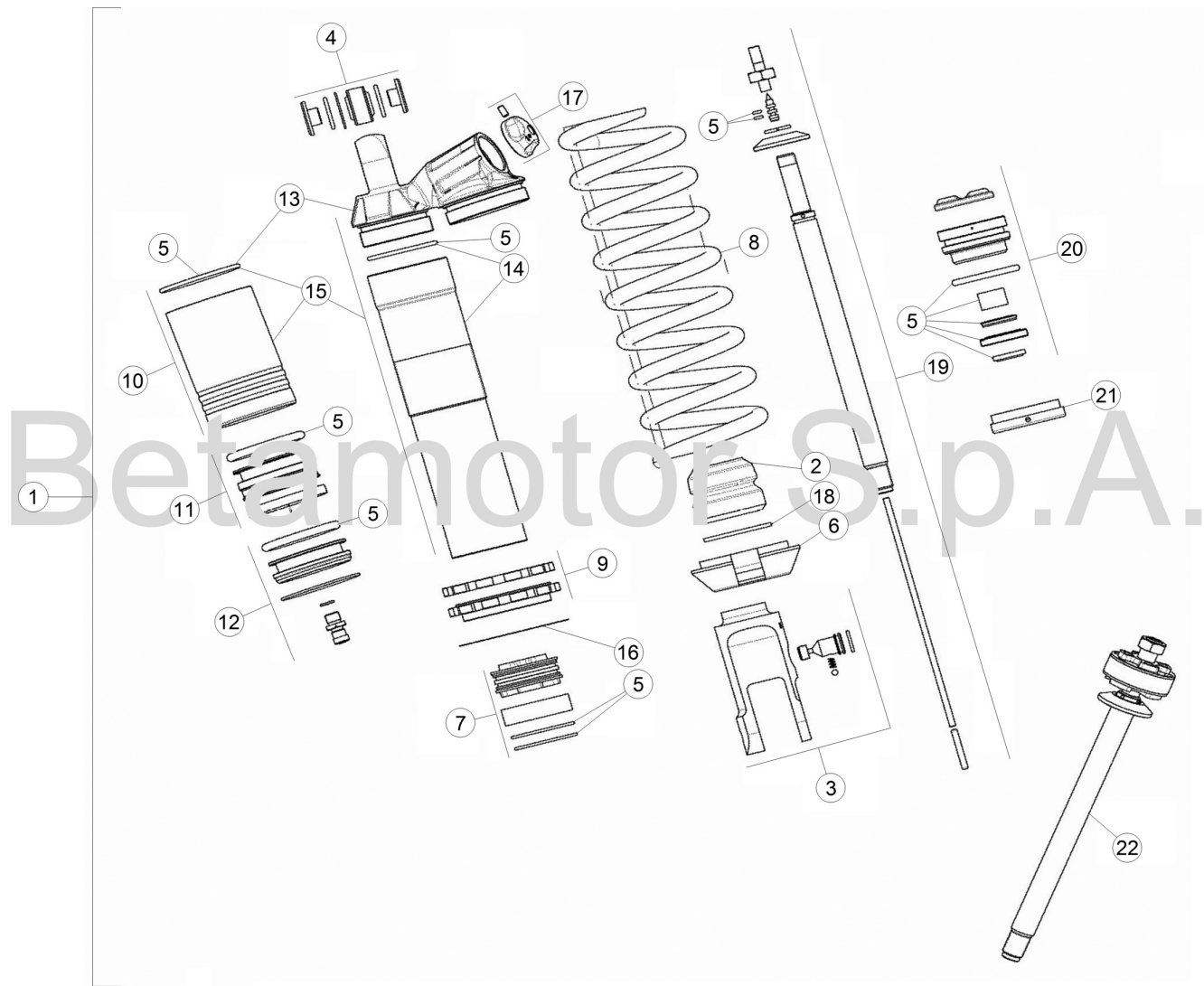
Pos Loc Pos Ps Pos	Numero Number Numéro Número Nummer	Q.tà Q.ty Q.té M.ge C.ad	Nota Note Note Nota Anm.	Descrizione	Description	Dé signation	Beschreibung	Descriscìo n
1	031.32.009.37.51	1		Telaio posteriore	Rear frame	Châssis arrière	Hinterer kleiner Rahmen	Bastidor trasero
2	020.32.100.00.59	1		Attacco telaio posteriore dx	Rear RH frame fastening	Fixation châssis arrière droit	Rahmen befestigung hinten rechts	Enganche bastidor trasero der.
3	020.32.027.42.59	1		Attacco telaio posteriore sx	Rear LH frame fastening	Fixation châssis arrière gauche	Rahmen befestigung hinten links	Enganche bastidor trasero izq.
4	020.32.010.00.05	1		Piastra fissaggio serratura	Lock sec. Plate	Plaque fix. Serrure	Befestigungsplatte Schloß	Chapa fij. cerradura
5	020.32.112.00.00	1		Perno serratura	Pin	Pivot	Zapfen	Perno
6	020.32.011.00.05	1		Piastra ritegno serratura	Plate	Plaqueette	Schild	Placa
7	020.32.013.80.51	1		Bottone serratura	Lock knob	Bouton serrure	Knopf Schloß	Boton cerradura
8	026.32.004.80.00	1	RACING	Coppia pedane	Foot peg couple	Couple repose-pieds	Pedalpaar	Par de estribos
9	020.32.016.00.00	1		Molla	Spring	Ressort	Feder	Muelle
10	25.25601.000	1		Pattino catena	Chain shoe	Doigt chaîne	Gleitauflage	Patín cadena
11	25.32521.000	1		Pedana dx.	Rubber mat R.H.	Tapis d.	Fußblech rechts	Estribo der.
12	25.32531.000	1		Pedana sx.	Rubber mat L.H.	Tapis g.	Fußblech links	Estribo izq.
13	25.54465.000	2		Perno pedana	Footrest pin	Pivot repose-pied	Rasten Pin	Eje estribera
14	016.32.020.00.00	2		Molla pedana dx-sx	Foot rest spring R.H.-L.H.	Ressort repose-pied d.-g.	Fußblechfeder re.-li.	Muelle estribo der.-izq.
15	031.32.001.00.00	2		Rondella 10x21x2	Washer 10x21x2	Rondelle 10x21x2	Scheibe 10x21x2	Arandela 10x21x2
16	12.81993.000	2		Copiglia 3x20	Split pin 3x20	Goupille 3x20	Splint 3x20	Grupilla 3x20
17	031.32.005.00.59	1		Protezione motore	Engine protection	Protection moteur	Motorschutz	Protección motor
18	27.23470.000	1		Raccordo per sfianto	Breather pipe	Raccord pour vidange	Entlüftungsrohranschluß	Racor para ventilación
19	27.42000.000	3		Rondella 6.18	Washer 6.18	Rondelle 6.18	U.Scheibe 6.18	Arandela 6.18
20	11.49070.000	3		Bullone 6x20 ch rs	Bolt 6x20 ch rs	Boulon 6x20 ch rs	Bolzen 6x20 ch rs	Tornillo 6x20 ch rs
21	020.32.004.00.00	4		Boccola superiore	Upper bush	Douille supé rieure	Obere Buchse	Casquillo superior
22	11.50355.000	4		Bullone M6x35	Bolt M6x35	Boulon M6x35	Bolzen M6x35	Tornillo M6x35
23	31.29810.000	2		Vite MSX12	Screw MSX12	Vis MSX12	Schraube MSX12	Tornillo MSX12
24	020.32.003.00.00	2		Boccola anteriore	Front bush	Douille avant	Vordere Buchse	Casquillo delantero
25	007.32.032.00.00	2		Vite speciale TSBEI M8x20	Special screw TSBEI M8x20	Vis spéciale TSBEI M8x20	Spezialschraube TSBEI M8x20	Tornillo especial TSBEI M8x20
26	31.64070.000	2		Vite flangiata 8x30	Flanged screw 8x30	Vis à brides 8x30	Flanschschraube 8x30	Tornillo rebordeado 8x30
27	25.60311.000	4		Piastrina elastica M6	Spring plate M6	Plaqueette é lastique M6	Plättchen M6	Pletina elástica M6
28	11.55480.000	1		Vite M8x40	Screw M8x40	Vis M8x40	Schraube M8x40	Tornillo M8x40
29	13.17020.000	1		Dado autoblocc. Basso M8	Nut M8	Ecrou M8	Mutter M8	Tuerca M8
30	031.32.070.00.00	1		Cavalletto	Central stand	Bé quille	Kippständer	Caballete
31	020.32.026.00.00	1		Molla cavalletto	Central stand spring	Ressort bé quille	Feder Kippständer	Muelle caballete
32	11.66615.000	1		Bullone spec. piastra cavalletto	Central stand special bolt	Boulon spec. plaque bé q.	Spezialschraube Kippständerplatte	Tornillo especial chapa caballete
33	11.66614.000	1		Bullone spec. cavalletto	Special bolt	Boulon spec.	Spezialschraube	Tornillo especial
34	25.57636.000	1		Piastrina aggancio molla	Bracket spring	Plaqueette accroch. ressort	Plättchen federanlenkung	Placa eng. muelle
35	22.48819.000	1		Molla esterna	Spring	Ressort	Feder	Muelle
36	22.48818.000	1		Molla interna	Spring	Ressort	Feder	Muelle



© Copyright 2017 Betamotor S.p.A.

Tav.33

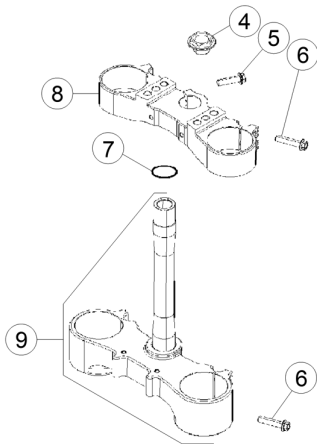
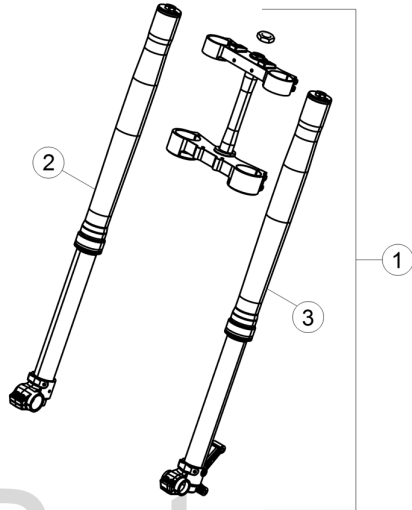
Pos Loc Pos Ps Pos	Numero Number Numéro Nummer	Q.tà Q.ty Q.té M.ge C.ad	Nota Note Note Nota Anm.	Descrizione	Description	Dé signation	Beschreibung	Descriscìo n
1	031.33.019.00.59	1		Forcellone	Big fork	Fourche	Radschwinge	Horquilla
2	031.33.025.80.00	1		Ammortizzatore	Damper	Amortisseur	Stoßdämpfer	Amortiguador
3	020.33.030.80.00	1		Biellecca	Connecting rod	Biellette	Bolzensange	Bieleca
4	020.33.020.80.00	1		Bilanciere	Lever	Balancier	Kipphebel	Balancin
5	020.33.015.00.00	1		Tassello guidacatena super.	Upper sliding block	Cheville guide de chaîne sup.	Schwingenschleifklotz oben	Protector catena superior
6	29.10071.000	1		Tassello guidacatena infer.	Lower sliding block	Cheville guide de chaîne inf.	Schwingenschleifklotz unten	Protector catena inferior
7	12.88591.159	1		Copricatena superiore	Up. Chain cover	Couvre-chaîne supérieur	Kettenschutz oben	Cubrecadena superior
8	12.88594.159	1		Copricatena inferiore	Lower chain cover	Couvre-chaîne inférieur	Kettenschutz unten	Cubrecadena inferior
9	031.33.142.80.00	1		Perno forcellone	Swingarm pivot	Axe fourche AR.	Schwingenbolzen	Eje basculante
10	13.27121.000	1		Dado speciale	Special nut	Ecrou spéciale	Spezialmutter	Tuerca especial
11	29.11866.100	1		Tendicatena SX	Chain adjuster L.	Tendeur de chaîne G.	Kettenspanne L.	Tensor de cadena I.
11	031.33.003.42.50	1	RACING	Tendicatena SX	Chain adjuster L.	Tendeur de chaîne G.	Kettenspanne L.	Tensor de cadena I.
12	29.11865.100	1		Tendicatena DX	Chain adjuster R.	Tendeur de chaîne D.	Kettenspanner R.	Tensor de cadena D.
12	031.33.002.42.50	1	RACING	Tendicatena DX	Chain adjuster R.	Tendeur de chaîne D.	Kettenspanner R.	Tensor de cadena D.
13	11.63992.000	2		Vite speciale M12	Special screw M12	Vis spéciale M12	Spezialschraube M12	Tornillo especial M12
14	020.33.032.00.00	1		Vite speciale M12	Special screw M12	Vis spéciale M12	Spezialschraube M12	Tornillo especial M12
15	13.21130.000	3		Dado autobloccante M12	Self locking nut M12	Ecrou de sécurité M12	Mutter, selbstsichernd M12	Tuerca de seguridad M12
16	020.33.030.00.00	1		Biellecca	Connecting rod	Biellette	Bolzensange	Bieleca
17	020.33.031.00.00	1		Distanziale	Spacer	Entretoise	Distanzstück	Distanciadore
18	11.22055.000	4		Boccola a rulli 20x26x16	Roller bearing 20x26x16	Douille à roulements 20x26x16	Rollenbuchse 20x26x16	Caja de grasa de rodillos 20x26x16
19	28.14083.000	6		Scodellino	Stop washer	Rondelle d'ar	Federaufnahme	Platillo
20	10.64481.000	6		Paraolio	Oil seal	Pare-huile	Dichtring	Sello de lub.
21	020.33.020.00.00	1		Bilanciere	Lever	Balancier	Kipphebel	Balancin
22	16.17310.000	1		Boccola a rulli 12x24x30	Roller bearing 12x24x30	Douille à roulements 12x24x30	Rollenbuchse 12x24x30	Caja de grasa de rodillos 12x24x30
23	11.21920.000	2		Boccola	Bush	Moyeu	Büchse	Buje
24	10.56020.000	2		Paraolio 16x24x4	Oil seal 16x24x4	Pare-huile 16x24x4	Dichtring 16x24x4	Sello de lub. 16x24x4
25	13.62813.000	1		Distanziale 12x20x50	Spacer 12x20x50	Entretoise 12x20x50	Distanzstück 12x20x50	Distanciadore 12x20x50
26	11.22061.000	1		Boccola a rulli 20x26x30	Roller bearing 20x26x30	Douille à roulements 20x26x30	Rollenbuchse 20x26x30	Caja de grasa de rodillos 20x26x30
27	13.62812.000	1		Distanziale 12x20x40	Spacer 12x20x40	Entretoise 12x20x40	Distanzstück 12x20x40	Distanciadore 12x20x40
28	11.22056.000	4		Boccola a rullini 22x28x12	Roller cage 22x28x12	Cage Aiguille 22x28x12	Rollenkäfig 22x28x12	Jaula rodillos 22x28x12
29	13.49183.000	2		Distanziale forcellone	Big fork spacer	Entretoise fourche	Distanzstück Radschwinge	Distanciadore horquilla
30	28.14081.000	4		Scodellino	Stop washer	Rondelle d'ar	Federaufnahme	Platillo
31	10.64481.000	4		Paraolio	Oil seal	Pare-huile	Dichtring	Sello de lub.
32	020.33.001.00.00	2		Boccola	Bush	Moyeu	Büchse	Buje
33	27.74786.000	3		Rondella bombata	Kasher	Rondelle	Scheibe	Arandela
34	11.46360.000	2		Bullone flangiato M5x16	Head Flanged bolt M5x16	Boulon Bridé M5x16	Bundbolzen M5x16	Bulón con Brida M5x16
35	13.12610.000	1		Dado	Nut	Ecrou	Mutter	Tuerca
36	13.49191.000	1		Distanziale	Spacer	Entretoise	Distanzstück	Distanciadore
37	13.54820.000	1		Distanziale 6,5x9,0x13,5	Spacer 6,5x9,0x13,5	Entretoise 6,5x9,0x13,5	Distanzstück 6,5x9,0x13,5	Distanciadore 6,5x9,0x13,5
38	13.13020.000	1		Dado autobloccante M6	Self locking nut M6	Ecrou de sécurité M6	Mutter, selbstsichernd M6	Tuerca de seguridad M6
39	13.48868.000	1		Distanziale tassello guidacatena	Sliding block spacer	Entretoise cheville guide de chaîne	Abstandstück Schwingenschleifklotz	Separador protector cadena/basculante
40	11.05535.000	1		Bullone 6.50 rs ch 8	Bolt 6.50 rs ch 8	Boulon 6.50 rs ch 8	Bolzen 6.50 rs ch 8	Tornillo 6.50 rs ch 8
41	11.49070.000	1		Bullone 6x20 ch rs	Bolt 6x20 ch rs	Boulon 6x20 ch rs	Bolzen 6x20 ch rs	Tornillo 6x20 ch rs
42	27.33740.000	2		Rivetto filettato M6	Threaded rivet M6	Rivet fileté M6	Niete mit gewinde M6	Remache roscada
43	11.46401.000	2		Bullone M5x20	Bolt M5x20	Boulon M5x20	Bolzen M5x20	Tornillo M5x20
44	29.10596.136	4		Tappo forcellone D30	Big fork plug D30	Bouchon fourche D30	Radschwinge verschluß D30	Tapón horquilla D30
45	15.14605.000	2		Passatubo	Grommet	Passe-tube	Rohrdurchgang	Pasa-tubo
46	13.54820.000	1		Distanziale 6,5x9,0x13,5	Spacer 6,5x9,0x13,5	Entretoise 6,5x9,0x13,5	Distanzstück 6,5x9,0x13,5	Distanciadore 6,5x9,0x13,5
47	13.17122.000	2		Dado speciale M8 CH 13	Special nut M8 CH 13	Ecrou spéciale M8 CH 13	Spezialmutter M8 CH 13	Tuerca especial M8 CH 13
48	11.55909.000	2		Bullone M8x55	Bolt M8x55	Boulon M8x55	Bolzen M8x55	Tornillo M8x55
49	11.62050.000	2		Bullone fiss. ammortizzatore M10x45	Damper sec. bolt M10x45	Boulon fix. amortisseur M10x45	Befestigungsbolzen M10x45	Tornillo fij amortiguador M10x45
51	11.46251.000	4		Bullone flangiato M5x12	Head Flanged bolt M5x12	Boulon Bridé M5x12	Bundbolzen M5x12	Bulón con Brida M5x12




© Copyright 2018 Betamotor S.p.A.

Tav.33A

Pos Loc Pos Ps Pos	Numero Number Número Nummer	Q.tà Q.ty Q.té M.ge C.ad	Nota Note Note Nota Anm.	Descrizione	Description	Désignation	Beschreibung	Descripción
1	031.33.025.80.00	1		Ammortizzatore completo	Shock absorber assembly	Amortisseur complet	Stoßdämpfer komplett	Amortiguador completo
2	020.33.141.00.00	1		Tampone	Buffer	Silentbloc	Puffer	Silent-block
3	026.33.023.00.00	1		Gruppo forchetta	Shock absorber inf. Connection	Fixation inférieure amortisseur	Untere befestigung stossdämpfer	Fijador inferior amortiguador
4	13.86078.800	1		Kit distanziali ammortizzatore	Damper spacer kit	Jeu entretoises amortisseur	Kit Stoßdämpfer Distanz	Juego distanciador amortiguador
5	026.33.015.82.00	1		Guarnizione - kit	Packing - kit	Joint - Jeu	Dichtungssatz	Junta - kit
6	15.39110.000	1		Fondello	Cup	Godet	Deckel	Cazoleta
7	026.33.020.00.00	1		Pistone	Piston	Piston	Kolben	Pistón
8	031.33.026.00.00	1		Molla	Spring	Ressort	Feder	Muelle
9	026.33.019.00.00	1		Ghiera ammortizzatore	Damper adjusting ring nut	Collier de réglage amortisseur	Einstellzwinge Stoßdämpfer	Virola ajuste amortiguador
10	026.33.012.00.00	1		Serbatoio ammortizzatore	Shock absorber tank	Réervoir de l'amortisseur	Gasbehälter für Stoßdämpfer	Depósito amortiguador
11	026.33.013.00.00	1		Membrana	Diaphragm	Membrane	Membrane	Membrana
12	026.33.014.00.00	1		Tappo	Plug	Bouchon	Verschluß	Tapón
13	026.33.016.00.00	1		Tappo	Plug	Bouchon	Verschluß	Tapón
14	026.33.017.00.00	1		Corpo ammortizzatore	Damper body	Corps de l'amortisseur	Dämpfungskörper	Cuerpo amortiguador
15	026.33.018.00.00	1		Corpo ammortizzatore	Damper body	Corps de l'amortisseur	Dämpfungskörper	Cuerpo amortiguador
16	031.33.012.00.00	1		Rosetta	Washer	Rondelle	Federring	Arandela
17	026.33.021.00.00	1		Registro	Brake ad. sc.	Vis régl. fr.	Einstellschraube	Tornillo de reg.
18	031.33.014.00.00	1		Rondella	Washer	Rondelle	U.Scheibe	Arandela
19	026.33.024.00.00	1		Stelo	Stem	Tige	Stange	Varilla
20	026.33.025.00.00	1		Guida	Rail	Guide	Führung	Guía
21	026.33.026.00.00	1		Tappo	Plug	Bouchon	Verschluß	Tapón
22	026.33.027.80.00	1		Stelo completo	Operating rod, assy.	Tige compl.	Kolbenstange, kompl.	Varilla completa



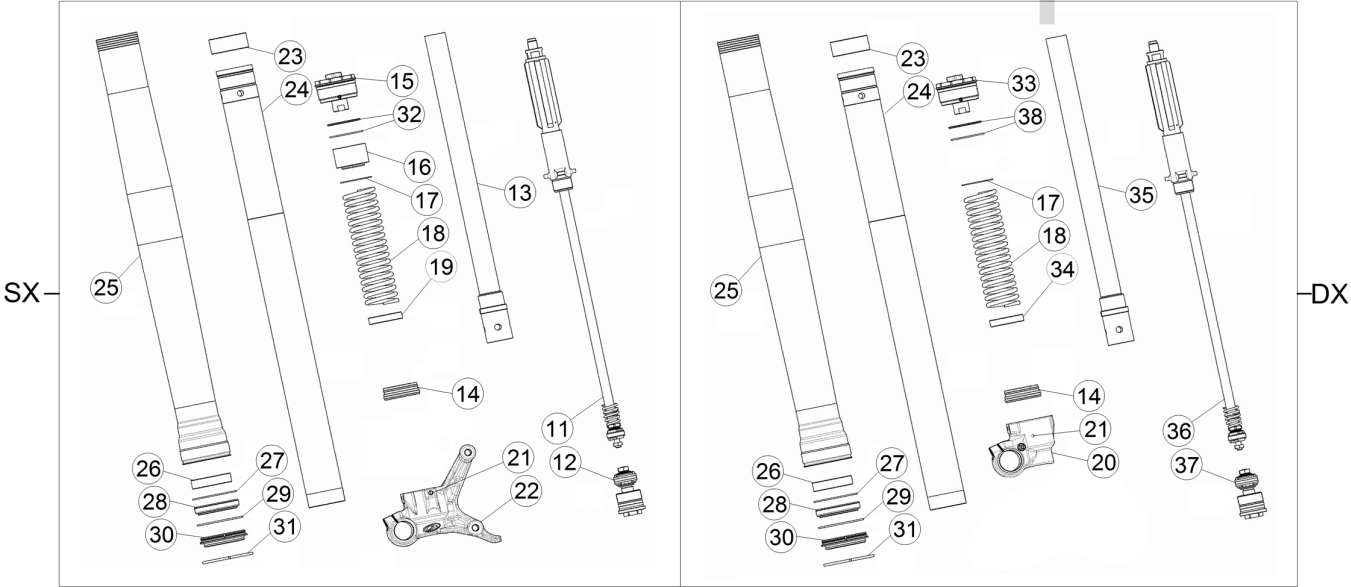


- Olio forcella
- Fork oil
- Gabelöl
- Huile de fourche
- Aceite de horquilla

BETA consiglia:
 BETA recommends:
 BETA empfiehlt:
 BETA recommande:
 BETA recomienda:

SAE 5

Betamotor S.p.A.

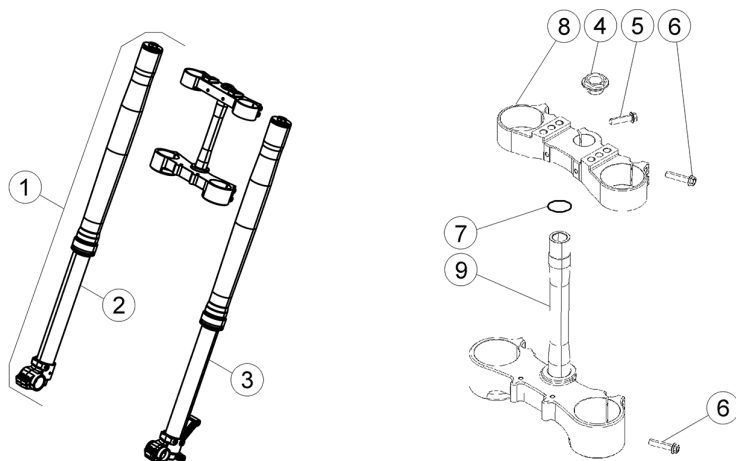



© Copyright 2018 Betamotor S.p.A.



Tav.34

Pos Loc Pos Ps Pos	Numero Number Número Nummer	Q.tà Q.ty Q.té M.ge C.ad	Nota Note Note Nota Anm.	Descrizione	Description	Désignation	Beschreibung	Descripción
								STANDARD
1	031.34.065.82.00	1		Forcella	Fork	Fourche	Gabel	Horquilla
2	031.34.066.80.00	1		Gamba dx	RH leg	Tube D.	Rechte Beineinheit	Pata derecha
3	031.34.067.80.00	1		Gamba sx	LH leg	Tube G.	Linke Beineinheit	Pata izquierda
4	020.34.004.00.00	1		Dado 20X1,5	Nut 20X1,5	Ecrou 20X1,5	Mutter 20X1,5	Tuerca 20X1,5
5	11.55440.000	1		Bullone 8x30 ch10 rs	Bolt 8x30 ch10 rs	Boulon 8x30 ch10 rs	Bolzen 8x30 ch10 rs	Tornillo 8x30 ch10 rs
6	11.55510.000	8		Bullone M8x40	Bolt M8x40	Boulon M8x40	Bolzen M8x40	Tornillo M8x40
7	10.66420.000	1		Anello OR 20,22,3,53 NBR	O-Ring 20,22,3,53 NBR	Bague d'é tanché ité 20,22,3,53 NBR	O-Ring 20,22,3,53 NBR	Anillo OR 20,22,3,53 NBR
8	031.34.051.42.04	1		Piastra di sterzo superiore	Steering head	Tête de direction	Gabelkopf	Tija superior
9	031.34.041.82.04	1		Piastra di sterzo inferiore	Steering crown with pin	Socle de direction avec pivot	Untere Gabelbrücke mit Bolzen	Base de dirección con perno
11	031.34.078.00.00	1		Gruppo estensione	Rebound unit	Ecrou groupe dé tente	Zugstufengruppe	Grupo rebote
12	026.34.052.00.00	1		Gruppo compressione	Compression unit	Groupe compression	Druckstufengruppe	Grupo compresión
13	026.34.017.00.00	1		Tubo interno	Inner tube	Tube inté rieur	Gabel Innenrohr	Tubo interior
14	020.34.313.00.00	2		Anello appoggio stelo + O-Ring	Stem supporting ring + O-Ring	Anneau appui tige + O-Ring	Anlagering für stange + O-Ring	Anillo de apoyo varilla + O-Ring
15	026.34.053.00.00	1		Tappo	Plug	Bouchon	Verschluß	Tapón
16	026.34.358.00.00	1		Distanziale	Spacer	Entretoise	Distanzstück	Distanciadór
17	031.34.323.00.00	2		Rosetta	Washer	Rondelle	Federring	Arandela
18	031.34.025.00.00	2		Molla	Spring	Ressort	Feder	Muelle
19	031.34.026.00.00	1		Anello centraggio	Centering ring	Bague de centrage	Zentrierring	Anillo de centraje
20	026.34.054.00.00	1		Piede forcella	Fork foot	Pied de fourche	Gabelfuß	Pata horquilla
21	020.34.308.00.00	2		Grano	Dowel	Goujon	Stift	Clavija
22	026.34.055.00.00	1		Piede forcella	Fork foot	Pied de fourche	Gabelfuß	Pata horquilla
23	020.34.320.00.00	2		Boccola Ø49/47 L 20	Bush Ø49/47 L 20	Moyeu Ø49/47 L 20	Büchse Ø49/47 L 20	Buje Ø49/47 L 20
24	031.34.021.00.00	2		Stelo	Stem	Tige	Stange	Varilla
25	026.34.363.00.00	2		Fodero	Sleeve	Protection	Schutzstück	Protección
26	031.34.020.00.00	2		Boccola ø52/48 L15	Bush ø52/48 L15	Moyeu ø52/48 L15	Büchse ø52/48 L15	Buje ø52/48 L15
27	020.34.318.00.00	2		Distanziale	Spacer	Entretoise	Distanzstück	Distanciadór
28	020.34.317.00.00	2		Guarnizione	Packing	Joint	Dichtung	Junta
29	020.34.316.00.00	2		Seeger Ø58,45	Circlip Ø58,45	Circlip Ø58,45	Seeger Ø58,45	Seeger Ø58,45
30	020.34.315.00.00	2		Raschiapolvere	Dust scraper	Graffe poussiere	Staubabstreifer	Esc. polvo
31	026.34.364.00.00	2		Anello d'arresto	Check ring	Bague d'arrêt	Sicherungsring	Anillo de bloqueo
32	031.34.023.00.00	1		Svincolo molla	Anti-friction spring	Anti-friction pour ressort	Anti-Reibungsfeder	Antifricción muelle
33	026.34.056.00.00	1		Tappo	Plug	Bouchon	Verschluß	Tapón
34	026.34.057.00.00	1		Anello	Ring	Circlips	Ring	Anillo
35	026.34.058.00.00	1		Tubo	Tube	Tuyau	Schlauch	Tubo
36	031.34.079.00.00	1		Gruppo estensione	Rebound unit	Ecrou groupe dé tente	Zugstufengruppe	Grupo rebote
37	031.34.080.00.00	1		Gruppo compressione	Compression unit	Groupe compression	Druckstufengruppe	Grupo compresión
38	031.34.323.00.00	1		Rosetta	Washer	Rondelle	Federring	Arandela



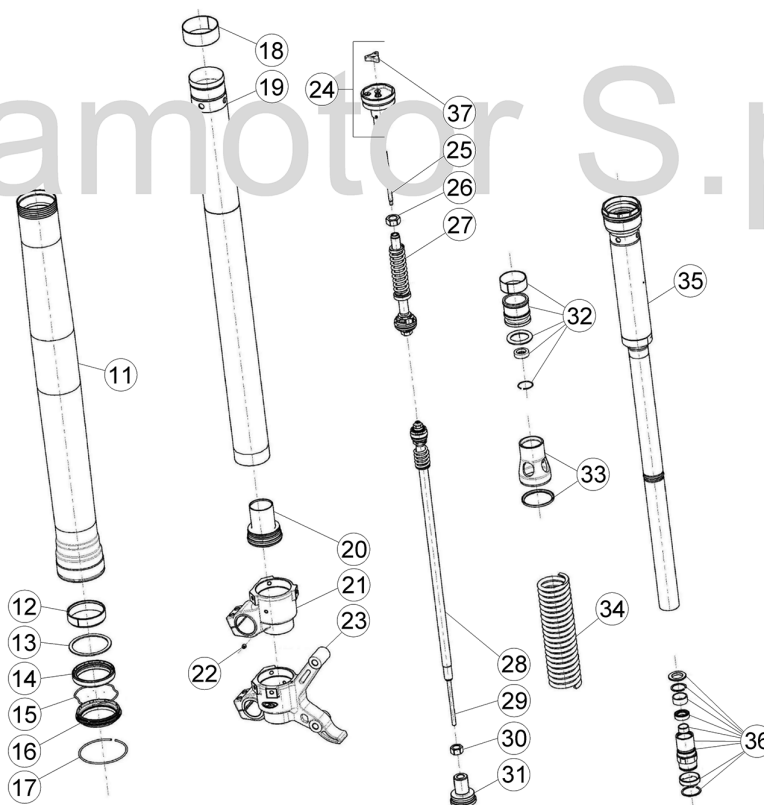


- Olio forcella
- Fork oil
- Gabelöl
- Huile de fourche
- Aceite de horquilla

BETA consiglia:
 BETA recommends:
 BETA empfiehlt:
 BETA recommande:
 BETA recomienda:

SAE 6,1

Betamotor S.p.A.

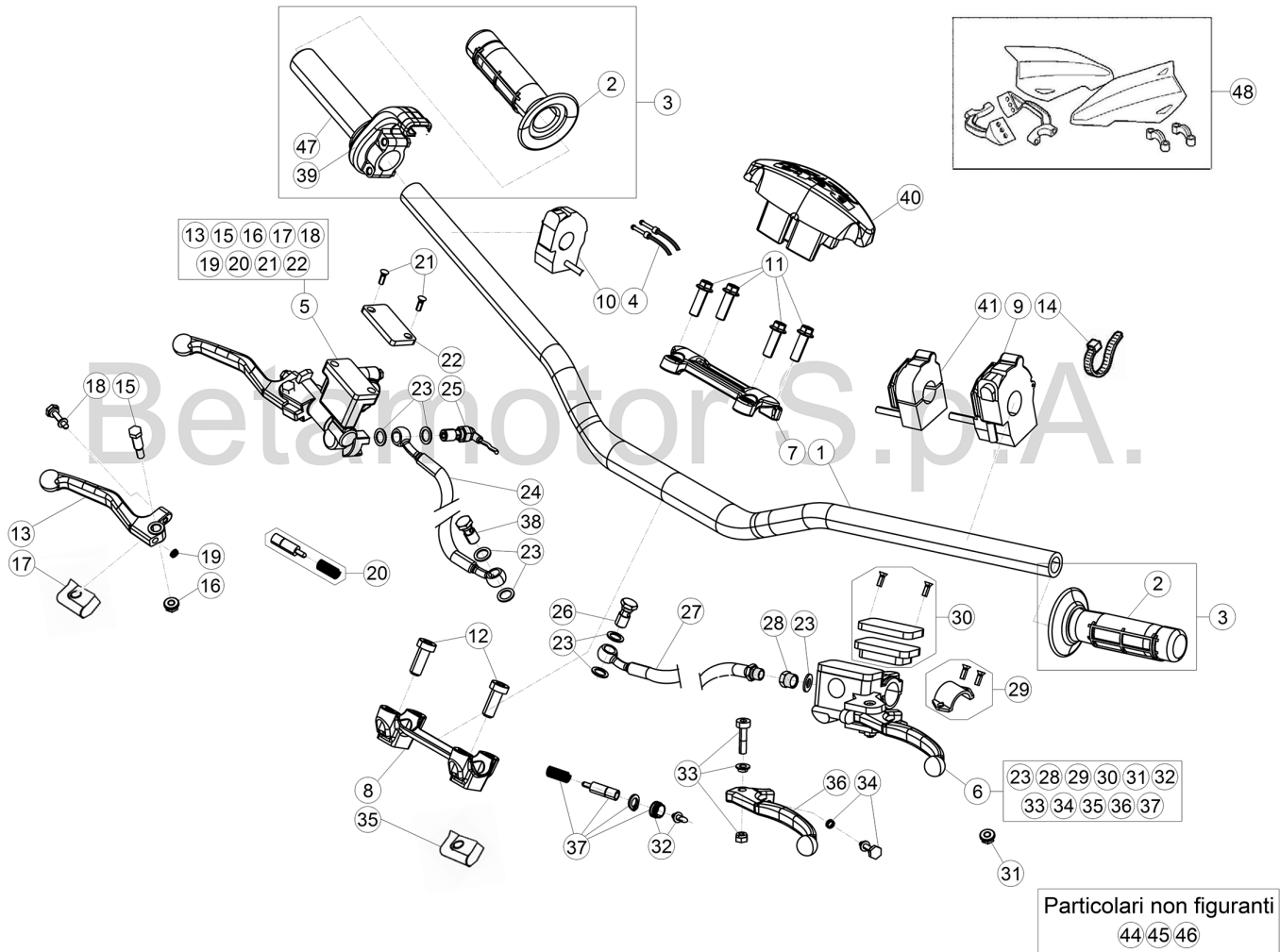


© Copyright 2016 Betamotor S.p.A.

Tav.34

Pos Loc Pos Ps Pos	Numero Number Número Nummer	Q.tà Q.ty Q.té M.ge C.ad	Nota Note Note Nota Anm.	Descrizione	Description	Désignation	Beschreibung	Descrìcion
								RACING
1	031.34.069.82.00	1		Forcella	Froin fork	Fourche	Schaltgabel	Horquilla
2	031.34.070.80.53	1		Gamba forcella DX	RH fork leg	Tube fourche D.	Rechte Beineinheit	Pata derecha horquilla
3	031.34.071.80.53	1		Gamba forcella SX	LH fork leg	Tube fourche G.	Linke Beineinheit	Pata izquierda horquilla
4	020.34.004.00.00	1		Dado 20X1,5	Nut 20X1,5	Ecrou 20X1,5	Mutter 20X1,5	Tuerca 20X1,5
5	11.55440.000	1		Bullone 8x30 ch10 rs	Bolt 8x30 ch10 rs	Boulon 8x30 ch10 rs	Bolzen 8x30 ch10 rs	Tornillo 8x30 ch10 rs
6	11.55510.000	8		Bullone M8x40	Bolt M8x40	Boulon M8x40	Bolzen M8x40	Tornillo M8x40
7	10.66420.000	1		Anello OR 20,22.3,53 NBR	O-Ring 20,22.3,53 NBR	Bague d'é tanché ité 20,22.3,53 NBR	O-Ring 20,22.3,53 NBR	Anillo OR 20,22.3,53 NBR
8	031.34.012.42.59	1		Piastra di stezo superiore	Steering head	Tête de direction	Gabelkopf oben	Tija superior
9	031.34.029.82.59	1		Piastra di stezo inferiore	Steering head base	Socle de direction	Gabelkopf unten	Tija inferior
11	026.34.061.00.00	2		Fodero	Sleeve	Protection	Schutzstück	Protección
12	031.34.020.00.00	2		Boccola ø52/48 L15	Bush ø52/48 L15	Moyeu ø52/48 L15	Bü chse ø52/48 L15	Buje ø52/48 L15
13	020.34.318.00.00	2		Distanziale	Spacer	Entretoise	Distanzstück	Distanciadór
14	020.34.317.00.00	2		Guarnizione	Packing	Joint	Dichtung	Junta
15	020.34.316.00.00	2		Seeger Ø58,45	Circlip Ø58,45	Circlip Ø58,45	Seeger Ø58,45	Seeger Ø58,45
16	020.34.315.00.00	2		Raschiapolvere	Dust scraper	Graffe poussiere	Staubabstreifer	Esc. polvo
17	026.34.364.00.00	2		Seeger Ø64 filo Ø3	Circlip Ø64 filo Ø3	Circlip Ø64 filo Ø3	Seeger Ø64 filo Ø3	Seeger Ø64 filo Ø3
18	020.34.320.00.00	2		Boccola Ø49/47 L 20	Bush Ø49/47 L 20	Moyeu Ø49/47 L 20	Bü chse Ø49/47 L 20	Buje Ø49/47 L 20
19	031.34.021.00.00	2		Stelo	Stem	Tige	Stange	Varilla
20	026.34.345.00.00	2		Sede registro	Adjuster seat	Siège du réglage	Sitz Einstellschraube	Asiento de la regulaciòn
21	026.34.054.00.00	1		Piede forcella dx	R.H. fork foot	Pied de fourche droit	Gabelfuß rechts	Pata horquilla der.
22	020.34.308.00.00	2		Grano	Dowel	Goujon	Sift	Clavija
23	026.34.055.00.00	1		Piede forcella sx	L.H. fork foot	Pied de fourche gauche	Gabelfuß links	Pata horquilla izq.
24	031.34.063.00.00	2		Gruppo tappo	Plug assy	Groupe bouchon	Verschlussgruppe Kpl	Grupo tapòn
25	026.34.347.00.00	2		Asta	Rod	Tige	Stange	Varilla
26	026.34.348.00.00	2		Dado	Nut	Ecrou	Mutter	Tuerca
27	031.34.081.00.00	2		Gruppo compressione	Compression unit	Groupe compression	Druckstufengruppe	Grupo compresiòn
28	031.34.082.00.00	2		Gruppo estensione	Rebound unit	Ecrou groupe dé tente	Zugstufengruppe	Grupo rebote
29	031.34.345.00.00	2		Asse	Rod	Tige	Stange	Varilla
30	031.34.346.00.00	2		Dado	Nut	Ecrou	Mutter	Tuerca
31	031.34.347.00.00	2		Registro gruppo estensione	Rebound unit adjuster	Ré glage groupe dé tente	Einstellung Zugstufengruppe	Regulaciòn grupo rebote
32	026.34.354.00.00	2		Gruppo pistone	Piston assy.	Esemble piston	Gruppe Kolben	Grupo pistòn
33	026.34.355.00.00	2		Gruppo guidamolla	Spring guide, assy.	Groupe guide ressort	Gruppe Federführung	Grupo guida resorte
34	020.34.334.00.00	2		Molla	Spring	Ressort	Feder	Muelle
35	031.34.348.00.00	2		Gruppo tubi interni	Inner tubes, assy.	Groupe tuyaux int.	Gruppe innerer Gabelrohr	Grupo tubos inter.
36	031.34.349.00.00	2		Gruppo guidastelo	Guide rod assy.	Groupe guide tige	Pumpenstü ckführungsgruppe	Grupo guja espiga
37	031.34.350.00.00	2		Pomello	Knob	Bouton	Drehknopf	Pomo

Tav.35

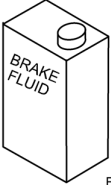


© Copyright 2018 Betamotor S.p.A.

Tav.35

Pos Loc Pos Ps Pos	Numero Number Número Nummer	Q.tà Q.ty Q.té M.ge C.ad	Nota Note Note Nota Anm.	Descrizione	Description	Dé signation	Beschreibung	Descrisción
1	026.35.000.00.59	1		Manubrio	Handlebars	Guidon	Lenker	Manillar
2	036.35.005.00.00	1		Coppia manopale	Grips (couple)	Poignées (couple)	Handgriffpaar	Manecilla (juego)
3	031.35.012.80.00	1		Comando gas	Throttle control	Comm. gaz	Gasdrehgriff	Mando gas
4	031.35.007.82.00	1		Trasmissione gas	Throttle transmiss.	Transmission gaz	Gaszug	Transmisión gas
5	21.02057.059	1		Leva freno ant.	Fr. br. lever	Lev. fr. AV.	Vorderradbremshebel	Pal. fr. del.
6	020.35.120.82.00	1		Leva comando frizione	Clutch control lever	Lever de commande embrayage	Kupplungshebel	Palanca mando embrague
7	12.08253.000	1		Cavallo superiore	Upper u bolt	Etrier sup.	Oberer Brücke	Brida sup.
8	12.08263.000	1		Cavallo inferiore	Lower u bolt	Etrier inférieure	Untere Brücke	Brida inferior
9	016.35.010.00.00	1		Dispositivo luci con frecce	Lights switch with blinkers	Commutateur feux avec clignotants	Lichtschalter mit Blinklichtschalter	Commutador luces con intermitentes
10	026.40.047.00.00	1		Dispositivo ON-OFF	ON-OFF device	Dispositif ON-OFF	Lichtschalter ON-OFF	Dispositivo ON-OFF
11	31.64070.000	4		Vite flangiata 8x30	Flanged screw 8x30	Vis à brides 8x30	Flanschschraube 8x30	Tornillo rebordeado 8x30
12	31.65626.000	2		Vite a brugola M10 25	Allen screw M10 25	Vis à 6 pans M10 25	Sechskantschraube M10 25	Tornillo a llave allen M10 25
13	21.27104.000	1		Leva freno	Brake lever	Lever du frein	Bremshebel	Palanca de freno
14	15.14264.000	1		Fascetta	Clamp	Collier	Schelle	Abrazadera
15	31.96832.000	1		Vite leva freno	Brake lever screw	Vis levier frein	Bremshebelschraube	Vite leva freno
16	13.30911.000	1		Dado	Nut	Ecrou	Mutter	Tuerca
17	16.33841.000	1		Coprileva	Lever cover	Couvre levier	Hebeldeckel	Cubre-palanca
18	31.88604.000	1		Vite regol. leva	Adjusting screw	Vis réglage	Einstellschrauben	Tornillo reg.
19	22.38704.000	1		Molla registro leva freno ant.	Front brake lever adjust spring	Ressort enregistrement levier	Regelfeder vorderradbremse	Muelle regul. bomba freno
20	20.08258.000	1		Pistoncino completo pompa	Piston Assy, pump	Piston compl. pompe	Kolben klpt. Pumpe	Piston completo bomba
21	31.23410.052	2		Vite fiss. coperchio	Cover sec. screw	Vis de fix. couvercle	Schraube	Tornillo
22	031.36.003.82.00	1		Coperchio pompa freno	Brake pump cover	Couvercle pompe frein	Deckel Bremspumpe	Tapa bomba freno
23	16.50510.000	8		Guarnizione 10x15x1 in rame	Gasket 10x15x1 copper	Joint 10x15x1 cuivre	Dichtung 10x15x1 Kupfer	Junta 10.15.1 (cobre)
24	29.09108.000	1		Tubo Freno Ant.	Front brake tube	Tuyau du frein AV.	Vordere Bremsleitung	Tubo freno delantero
25	18.89621.000	1		Interruttore stop	Stop switch	Interrupteur stop	Stopschalter	Interruptor stop
26	11.65040.000	1		Bullone forato 10x1 x tubo freno	Special bolt	Boulon 10x1 x tube frein	Hohlschraube F.Bremse	Tornillo esp. talad.10.1
27	031.35.010.00.00	1		Tubo frizione	Clutch tube	Canalisation embrague	Kupplungsrohr	Tubo embrague
28	020.35.032.00.00	1		Raccordo	Joint	Raccord	Stutzen	Racor
29	020.35.025.00.00	1		Cavallo	Bolt	Etrier	Brücke	Brida
30	020.35.023.00.00	1		Coperchio pompa frizione	Clutch pump cover	Couvercle pompe embrayage	Deckel Kupplungspumpe	Tapa bomba embrague
31	020.35.028.00.00	1		Antiemulsione	Antiemulsion	Antiemulsion	Eulsionswidriger	Antiemulsion
32	020.35.029.00.00	1		Puntalino leva pompa	Push piece	Piece de pression	Druckstück	Varilla de presión
33	020.35.024.00.00	1		Perno leva	Lever pin	Goujon levier	Hebelstift	Perno palanca
34	020.35.030.00.00	1		Guidamolla	Spring guide	Guide ressort	Federführung	Guía resorte
35	020.35.027.00.00	1		Gomma protezione leva	Lever protection grommet	Caoutchouc protection levier	Gummi Hebelchutz	Goma protección palanca
36	020.35.022.00.00	1		Leva frizione nuda	Clutch lever, only	Lever d'embrayage nue	Kupplungshebel	Palanca embrague
37	020.35.026.00.00	1		Kit pistoncino pompa	Piston kit master cyl.	Kit piston. maître cyl.	Kolbensatz hauptbremszylinder	Kit pistón bomba
38	11.65053.000	1		Bullone forato 10x1,25	Special bolt 10x1,25	Boulon 10x1,25 tube frein	Hohlschraube F.Bremse 10x1,25	Tornillo esp. talad. 10x1,25
39	031.35.013.00.00	1		Protezione	Protection	Protection guidon	Schutz	Protección
40	031.35.001.00.00	1		Protezione manubrio	Handlebar protection	Protection guidon	Lenkerschutz	Protección manillar
41	031.40.003.00.00	1		Dispositivo switch mappa CDI	Switch for double map CDI	Selecteur mappe CDI	Mappingschalter CDI	Commutador para cambiar el mapa del CDI
44	12.30100.000	1	EU	Cavallo leva freno c/attacco specchio	Brake lever U-bolt w/mirror fastening	Etrier levier du frein avec fixation retroviseur	Brücke Bremshebel mit Befestigung für Rückblickspegel	Brida palanca freno con anclaje espejo
45	28.92927.000	1	EU	Specchio retrovisore dx.	R.H. rear mirror	Ré troviseur dr.	Rückspiegel R.	Retrovisor der.
46	031.35.008.00.00	1	EU	Specchio retrovisore sx.	L.H. rear mirror	Ré troviseur ga.	Rückspiegel L.	Retrovisor izq.
47	031.35.014.00.00	1		Tubo	Pipe	Tuyau	Röhr	Tubo
48	026.46.005.82.51	1	RACING	Kit paramani	Hand guards kit	Kit pare-mains	Kit Handchutz	Kit para manos

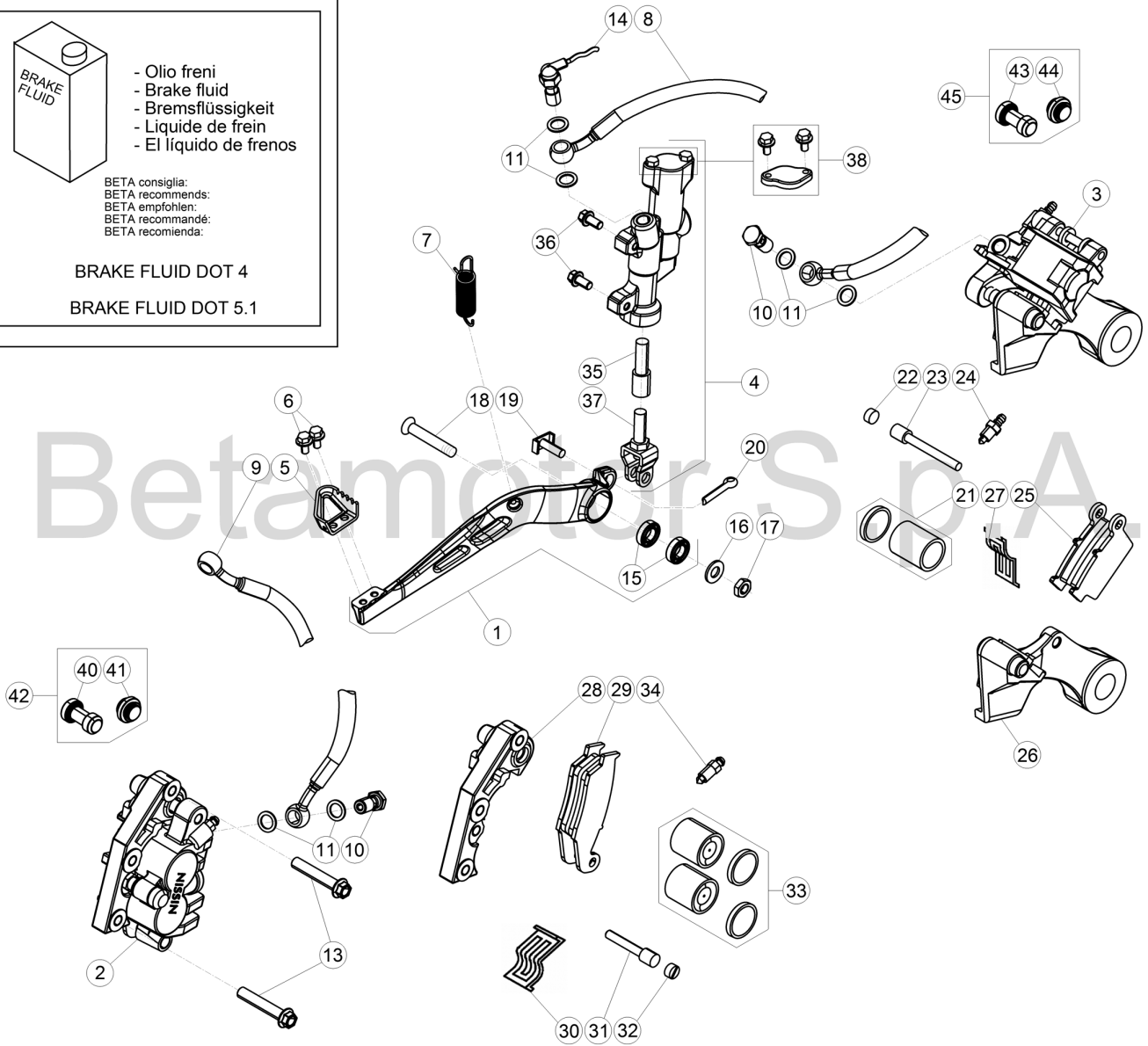
Tav.36



- Olio freni
- Brake fluid
- Bremsflüssigkeit
- Liquide de frein
- El líquido de frenos

BETA consiglia:
BETA recommends:
BETA empfohlen:
BETA recommande:
BETA recomienda:

BRAKE FLUID DOT 4
BRAKE FLUID DOT 5.1

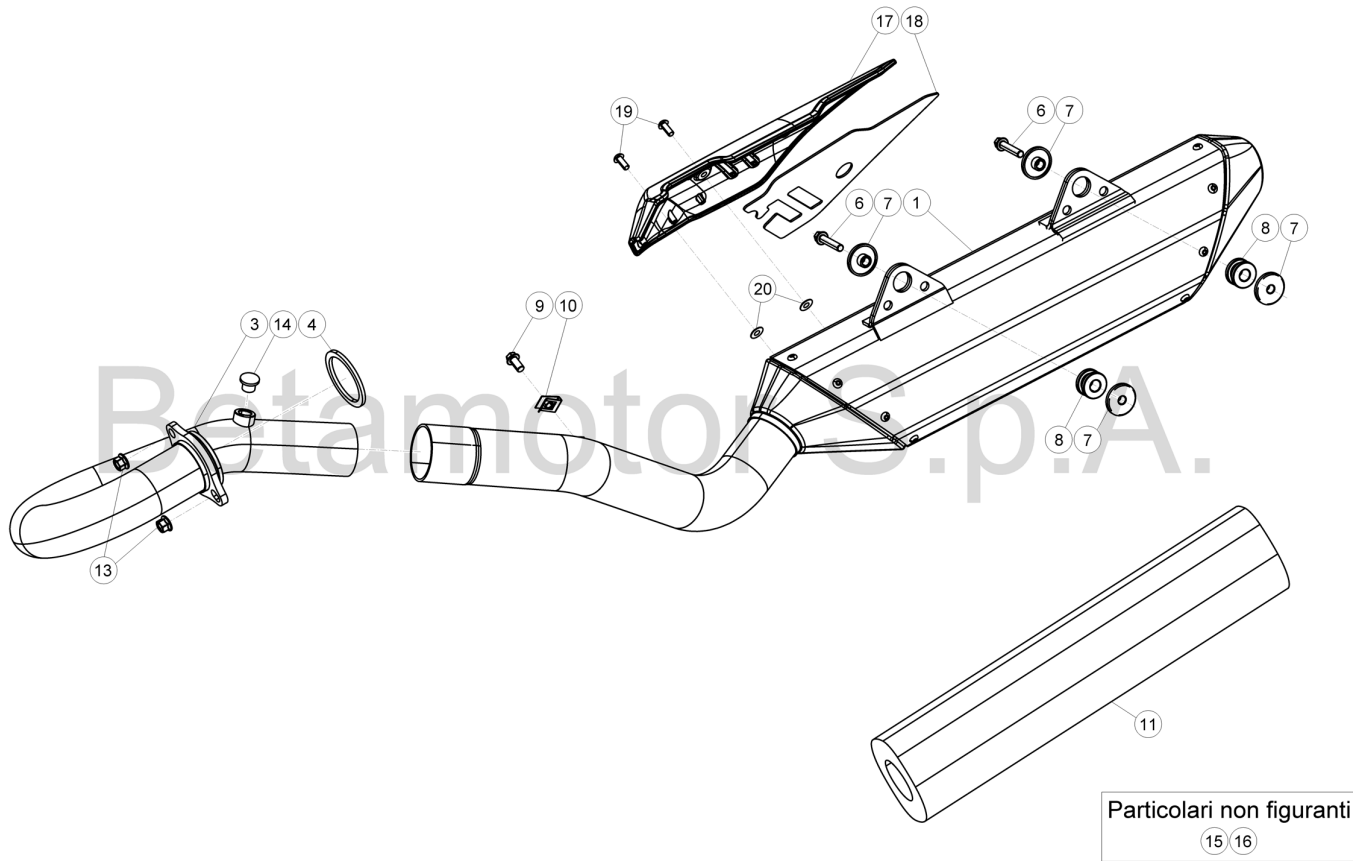


© Copyright 2018 Betamotor S.p.A.



Tav.36

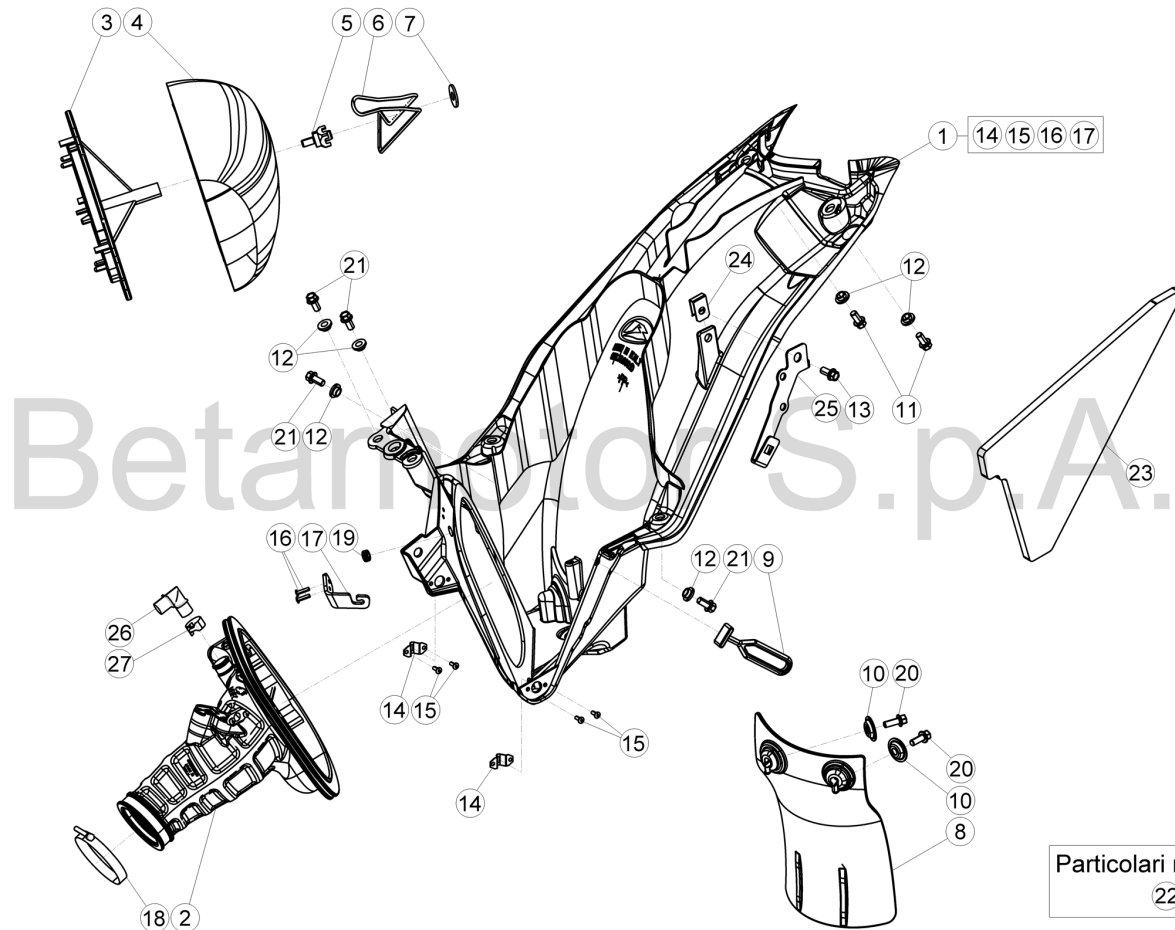
Pos Loc Pos Ps Pos	Numero Number Numéro Nummer	Q.tà Q.ty Q.té M.ge C.ad	Nota Note Note Nota Anm.	Descrizione	Description	Dé signation	Beschreibung	Descrpicì o n
1	020.36.001.80.00	1		Pedale freno	Brake pedal	Pé dale frein	Fussbremspedal	Pedal freno
1	020.36.001.80.59	1	RACING	Pedale freno	Brake pedal	Pé dale frein	Fussbremspedal	Pedal freno
2	25.03056.000	1		Pinza freno anteriore	Front disk brake caliper	Etrier de frein AV.	Bremszange-Scheibe	Pinza freno del.
3	25.03066.000	1		Pinza freno posteriore	Rear disk brake caliper	Etrier de frein AR.	Bremszange	Pinza del freno tras.
4	25.91178.000	1		Pompa freno posteriore	Rear brake cylinder	Maî tre cylindre frein ar.	Hauptbremszylinder Hinterradbremse	Bomba freno trasero
5	22.90053.000	1		Mozzetto	Hub	Moyeu	Nabe	Cubo
6	11.46251.000	2		Bullone flangiato M5x12	Head Flanged bolt M5x12	Boulon Bridé M5x12	Bundbolzen M5x12	Bulón con Brida M5x12
7	026.36.000.00.00	1		Molla ritorno pedale freno	Brake pedal spring	Ressort Pé dale Frein	Feder Fussbremspedal	Muelle pedal de freno
8	29.09428.000	1		Tubo Freno Posteriore	Rear brake tube	Tuyau du frein AR.	Hintere Bremsleitung	Tubo freno trasero
9	29.09108.000	1		Tubo Freno Ant.	Front brake tube	Tuyau du frein AV.	Vordere Bremsleitung	Tubo freno delantero
10	11.65053.000	2		Bullone forato 10x1,25	Pierced bolt 10x1,25	Boulon avec trou 10x1,25	Bolzen 10x1,25	Tornillo 10x1,25
11	16.50510.000	6		Guarnizione 10x15x1 in rame	Gasket 10x15x1 copper	Joint 10x15x1 cuivre	Dichtung 10x15x1 Kupfer	Junta 10.15.1 (cobre)
13	11.55510.000	2		Bullone M8x40 ch10 rs	Bolt M8x40 ch10 rs	Boulon M8x40 ch10 rs	Bolzen M8x40 ch10 rs	Tornillo M8x40 ch10 rs
14	18.89621.000	1		Interruttore stop	Stop switch	Interrupteur stop	Stopschalter	Interruptor stop
15	12.93388.000	2		Cuscinetto 8x22x7	Bearing 8x22x7	Roulement 8x22x7	Lager 8x22x7	Cojinete 8x22x7
16	27.49500.000	1		Rondella 8x18	Washer 8x18	Rondelle 8x18	U.Scheibe 8x18	Arandela 8x18
17	13.17020.000	1		Dado autoblocc. Basso M8	Nut M8	Ecrou M8	Mutter M8	Tuerca M8
18	31.63985.000	1		Vite TSPCE 8.50 cl 10.9	Screw TSPCE 8.50 cl 10.9	Vis TSPCE 8.50 cl 10.9	Schraube TSPCE 8.50 cl 10.9	Tornillo TSPCE 8.50 cl 10.9
19	25.41830.000	1		Forcellino	Clip	Ressort	Fixiergabel	Horquilla
20	12.81995.000	1		Copiglia 2x15	Split pin 2x15	Goupille 2x15	Splint 2x15	Grupilla 2x15
21	20.02717.000	1		Kit pistoncini e guarniz. Pinza	Piston e oil seal for pliers	Jeu petit pistons et joint pinces	Reparatursatz Bremszange	Juego piston y guarnicion pinza
22	31.96821.000	1		Grano	Dowel	Goujon	Stift	Clavija
23	25.41860.000	1		Perno ancoraggio pastiglia	Pin hanger	Pivot ancrage	Halter brehsbelage	Varilla esp. Pastillas pinzas
24	28.91002.000	1		Sfiato	Breather	Reniflard	Entlüfter	Respiradero
25	25.25362.000	1		Pastiglie freno post.	Rear brake pads	Pastill. de freins AR.	Hinterebremsbelag	Pastillas frenos tras.
26	020.36.011.00.00	1		Staffa supporto pinza	Caliper support bracket	Bride support étrier	Bremssattelbefestigung	Brida soporte pinza
27	22.32208.000	1		Molla ferma pastiglie pinza	Brake pads spring for pliers	Ressort arret plaquettes	Haltefeder	Muelle pastillas pinza
28	020.36.012.00.00	1		Staffa supporto pinza	Caliper support bracket	Bride support étrier	Bremssattelbefestigung	Brida soporte pinza
29	25.25365.000	1		Pastiglie freno ant. - coppia	Front brake pads - pair	Copule pastill. de freins AV.	Vorderbremsbelag	Pastillas frenos del.
30	22.32207.000	1		Molla ferma pastiglie pinza	Brake pads spring for pliers	Ressort arret plaquettes	Haltefeder	Muelle pastillas pinza
31	25.41859.000	1		Perno ancoraggio pastiglia	Pin hanger	Pivot ancrage	Halter brehsbelage	Varilla esp. Pastillas pinzas
32	31.96821.000	1		Grano	Dowel	Goujon	Stift	Clavija
33	20.02716.000	1		Kit pistoncini e guarniz. Pinza	Piston e oil seal for pliers	Jeu petit pistons et joint pinces	Reparatursatz Bremszange	Juego pistón y guarnicion pinza
34	28.91001.000	1		Sfiato	Breather	Reniflard	Entlüfter	Respiradero
35	20.08276.000	1		Kit pistoncino pompa post.	Piston kit rear master cyl.	Kit piston. maî tre cyl. AR.	Kolbensatz hinterhauptbremszylinder	Kit pistón bomba tras.
36	31.30750.000	2		Vite M6x16	Screw M6x16	Vis M6x16	Schraube M6x16	Tornillo M6x16
37	20.08277.000	2		Kit leva	lever kit	Jeu levier	Hebelsatz	Juego palanca
38	20.08275.000	1		Kit serbatoio pompa	Kit, pump tank	Kit reservoir pompe	Deckel pumpstange	Kit deposito bomba
40	036.36.002.00.00	1		Protezione	Protection	Protection	Schutzstück	Protecció n
41	036.36.003.00.00	1		Protezione	Protection	Protection	Schutzstück	Protecció n
42	036.36.006.82.00	1		Kit protezioni anteriore	Font protections kit	Jeu protections avant	Kit Vorne Schutzstück	Juego protecció nes delanteras
43	036.36.004.00.00	1		Protezione	Protection	Protection	Schutzstück	Protecció n
44	036.36.005.00.00	1		Protezione	Protection	Protection	Schutzstück	Protecció n
45	036.36.007.82.00	1		Kit protezioni posteriore	Rear protections kit	Jeu protections arrière	Kit Hintere Schutzstück	Juego protecció nes traseras



© Copyright 2017 Betamotor S.p.A.

Pos	Numero	Q.tà	Nota	Descrizione	Description	Dé signation	Beschreibung	Descripciò n
Loc	Number	Q.ty	Note					
Pos	Numéro	Q.té	Note					
Ps	Número	M.ge	Nota					
Pos	Nummer	C.ad	Anm.					
1	031.37.045.80.00	1		Silenziatore completo	Silencer complete	Silencieux complet	Endschalldämpfer	Silenciador completo
3	031.37.038.00.00	1	350-390cc	Collettore di scarico	Exhaust manifold	Collecteur d' échapp.	Abgaskrü mmer	Colector de escape
3	031.37.009.00.00	1	430-480cc	Collettore di scarico	Exhaust manifold	Collecteur d' échapp.	Abgaskrü mmer	Colector de escape
4	020.37.004.00.00	1		Guarnizione scarico	Exhaust manifold gasket	Joint coll. Ech.	Dichtung Abgaskrü mmer	Junta colector de escape
6	11.50300.000	2		Bullone 6x30 ch rs	Bolt 6x30 ch rs	Boulon 6x30 ch rs	Bolzen 6x30 ch rs	Tornillo 6x30 ch rs
7	13.49187.000	4		Scodellino	Stop washer	Rondelle d' ar	Federaufnahme	Platillo
8	28.91946.000	2		Silentbloc	Silentbloc	Silentbloc	Puffer	Silent-block
9	11.48025.000	1		Vite M6x16 RS CH8	Screw M6x16 RS CH8	Vis M6x16 RS CH8	Schraube M6x16 RS CH8	Tornillo M6x16 RS CH8
10	25.60311.000	1	EU	Piastrina elastica M6	Spring plate M6	Plaquette élastique M6	Plättchen M6	Pletina elástica M6
11	031.45.108.82.00	1		Silenziatore - Kit	Silencer - Kit	Silencieux - Kit	Schalldämpfer - Kit	Silenciador - Kit
13	13.17121.000	2		Dado speciale M8	Special nut M8	Ecrou spéciale M8	Spezialmutter M8	Tuerca especial M8
14	031.37.030.00.00	1		Tappo sensore ossigeno	Oxygen sersnor plug	Bouchon sonde oxygene	Verschluss Lambdasonde	Tapó n sensor oxigeno
15	031.37.012.00.00	1	EU	Collettore di scarico	Exhaust manifold	Collecteur d' échapp.	Abgaskrü mmer	Colector de escape
15	031.37.013.00.00	1	EU	Collettore di scarico	Exhaust manifold	Collecteur d' échapp.	Abgaskrü mmer	Colector de escape
16	029.13.010.00.00	1	EU	Sensore ossigeno	Oxygen sersnor	Sonde oxygene	Lambdasonde	Sensor oxigeno
17	031.37.040.85.59	1		Protezione silenziatore completo	Silencer shield, assy.	Protection silencieux complet	Auspuffverkleidung kpl.	Protecció n escape
18	031.37.056.00.00	1		Protezione calore	Heat protection	Protection thermique	Hitzeschutz	Protecció n calor
19	31.29810.000	2		Vite TBCE 5.12	Screw TBCE 5.12	Vis TBCE 5.12	Schraube TBCE 5.12	Tornillo TBCE 5.12
20	16.47491.000	2		Guarnizione speciale	Special gasket	Joint speciale	Spezialdichtung Abgaskrü mmer	Junta special

Tav.38

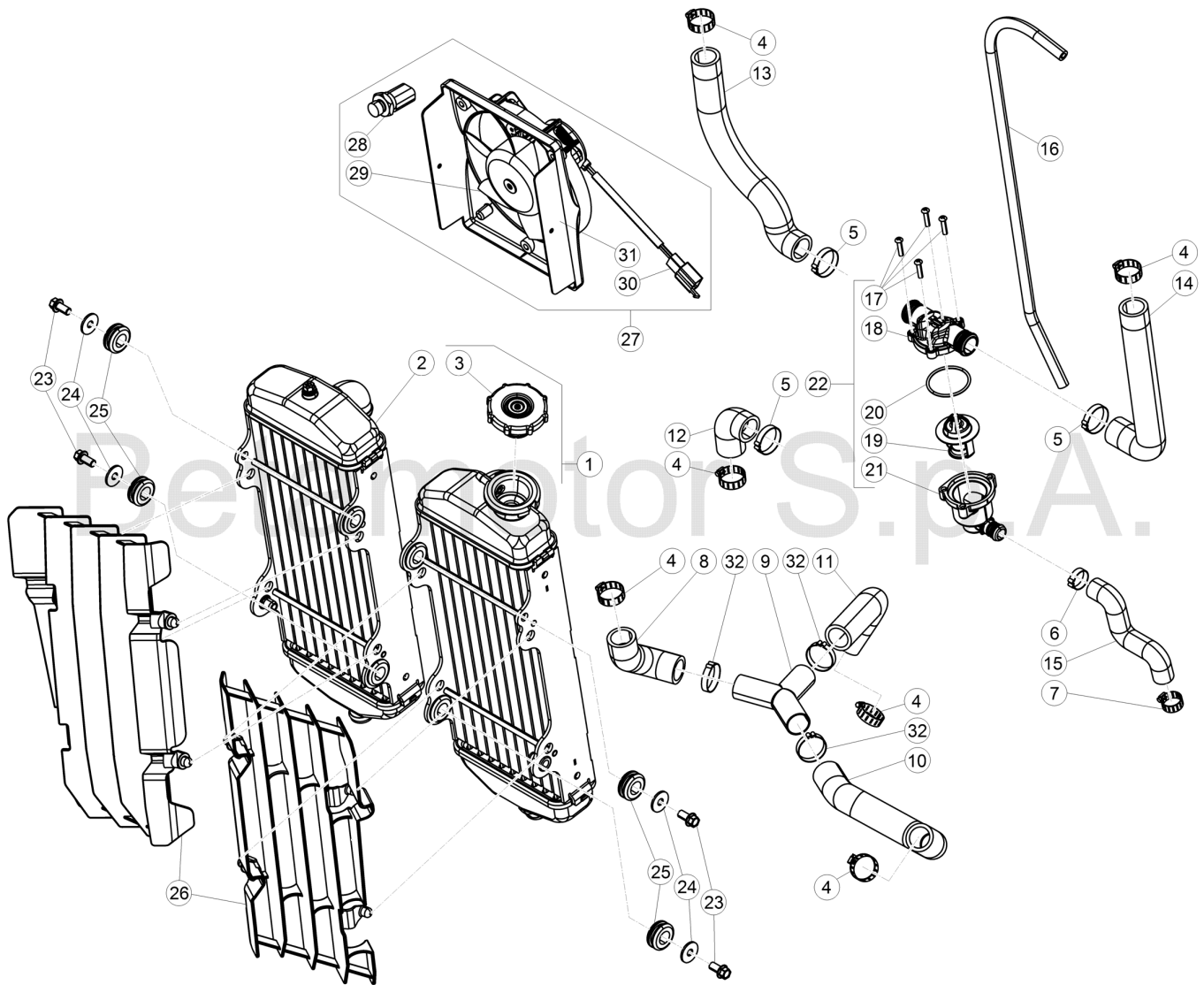


© Copyright 2017 Betamotor S.p.A.

Pos	Numero	Q.tà	Nota	Descrizione	Description	Dé signation	Beschreibung	Descriscì o n
Loc	Number	Q.ty	Note					
Pos	Numéro	Q.té	Note					
Ps	Número	M.ge	Nota					
Pos	Nummer	C.ad	Anm.					
1	026.38.012.80.59	1		Scatola filtro completa	Air cleaner box	Boî tier filtre à air	Luftfiltergehäuse	Caja filtro de aire
2	031.38.018.00.00	1		Manicotto aspirazione	Intake sleeve	Manchon admission	Ansaugmuffe	Manguito de aspiraciò n
3	031.38.002.00.00	1		Gabbia filtro aria	Filter cage	Grille filtre aire	Filter kafig	Jaula filtro aire
4	031.38.001.00.00	1		Filtro aria	Air filter	Filtre à air	Luftfilter	Filtro de aire
5	25.57197.000	1		Perno richiamo ferma-filtro	Filter pin	Pivot filtre	Filtershalter	Pin Eje filtro
6	020.38.021.00.00	1		Molla fermafiltro	Filter spring	R ressort filtre	Filter Feder	Muelle filtro
7	27.74800.000	1		Rondella autobloccante 9	Washer 9	Rondelle 9	Scheibe 9	Arandela 9
8	026.38.007.10.59	1		Protezione ammortizzatore	Rear damper protection	Protection amortisseur	Stosssä mpferschutz	Protecciò n amortiguador
9	16.34907.000	1		Gommino	Rubber buffer	Caoutchouc	Gummi	Goma
10	27.74786.000	2		Rondella bombata	Kasher	Rondelle	Scheibe	Arandela
11	31.79960.000	2		Vite autofilettante 6x15	Self tapping screw 6x15	Vis taraud 6x15	Schraube, Blech 6x15	Tornillo autorros. 6x15
12	13.54820.000	6		Distanziale 6,5x9,0x13,5	Spacer 6,5x9,0x13,5	Entretoise 6,5x9,0x13,5	Distanzstü ck 6,5x9,0x13,5	Distanciador 6,5x9,0x13,5
13	11.47015.000	1		Bullone M6x12	Bolt M6x12	Boulon M6x12	Bolzen M6x12	Tornillo M6x12
14	026.38.004.00.00	2		Ricettacolo	Receptacle	Rè ceptacle	Behä lter	Receptaculo
15	C18.19.009.00.00	4		Rivetto a strappo 2,4x8 all.	Rivet 2,4x8	Rivet 2,4x8	Niet 2,4x8	Remache 2,4x8
16	27.33803.000	2		Rivetto a strappo 3,2x11	Rivet 3,2x11	Rivet 3,2x11	Niet 3,2x11	Remache 3,2x11
17	020.38.002.00.00	1		Staffa	Bracket	Bras	Halterung	Brida
18	15.14606.000	1		Fascetta	Clamp	Collier	Schelle	Abrazadera
19	16.34906.000	1		Gommino	Rubber buffer	Caoutchouc	Gummi	Goma
20	31.30815.000	2		Vite autofilettante 6x20	Self tapping screw 6x20	Vis taraud 6x20	Schraube, Blech 6x20	Tornillo autorros. 6x20
21	11.48025.000	4		Bullone 6x16 ch 8 rs	Bolt 6x16 ch 8 rs	Boulon 6x16 ch 8 rs	Bolzen 6x16 ch 8 rs	Tornillo 6x16 ch 8 rs
22	031.38.020.00.00	1	EU	Manicotto aspirazione	Intake sleeve	Manchon admission	Ansaugmuffe	Manguito de aspiraciò n
23	031.38.015.00.00	1	EU	Spugna	Sponge	É ponge	Schwamm	Espanja
24	25.60311.000	1		Piastrina	Plate	Plaque	Platte	Placa
25	031.40.127.22.00	1		Staffa	Bracket	Bras	Halterung	Brida
26	27.11020.000	1		Raccordo a 90°	90° joint.p.	Raccord a 90°	90° Stutzen	Racor a 90°
27	10.67410.000	1		Anello stringitubo	Pipe clamping ring	Anneau serre-tube	Schlauchschelle	Anillo prensatubo
28	031.38.017.00.00	1	EU	Gabbia filtro	Cleaner cage	Cage pour filtre	Filterkafig	Caja filtro

Particolari non figuranti

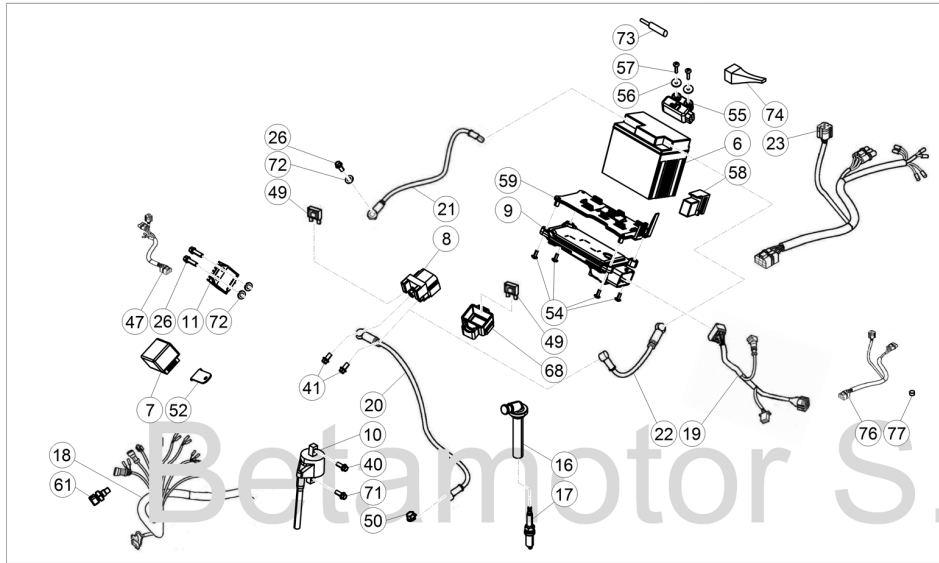
22 28



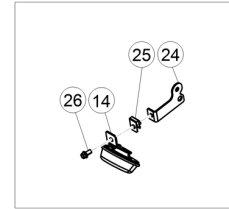
© Copyright 2017 Betamotor S.p.A.

Pos Loc Pos Ps Pos	Numero Number Número Nummer	Q.tà Q.ty Q.té M.ge C.ad	Nota Note Note Nota Anm.	Descrizione	Description	Dé signation	Beschreibung	Descripció n
1	020.39.110.00.00	1		Radiatore Sx	L.H. radiator	Radiateur G.	L., Kühler	Radiador iz.
2	020.39.000.00.00	1		Radiatore Dx	R.H. radiator	Radiateur D.	R., Kühler	Radiador der.
3	020.39.111.00.00	1		Tappo radiatore	Radiator plug	Bouchon radiateur	Kühlerdeckel	Tapa de radiador
4	15.15240.000	6		Fascetta 19/28	Clamp 19/28	Collier 19/28	Schelle 19/28	Abrazadera 19/28
5	020.39.008.00.00	3		Fascetta 24	Clamp 24	Collier 24	Schelle 24	Abrazadera 24
6	020.39.009.00.00	1		Fascetta 17	Clamp 17	Collier 17	Schelle 17	Abrazadera 17
7	15.15220.000	1		Fascetta 12/22	Clamp 12/22	Collier 12/22	Schelle 12/22	Abrazadera 12/22
8	031.39.005.00.00	1		Tubo radiatore	Radiator tube	Tube radiateur	Wasserschlauch Kühler	Tubo radiador
9	020.39.020.00.00	1		Raccordo a Y	Y joint.p.	Raccord a Y	Y Stutzen	Racor a Y
10	031.39.023.00.00	1		Tubo radiatore	Radiator tube	Tube radiateur	Wasserschlauch Kühler	Tubo radiador
11	031.39.007.00.00	1		Tubo pompa acqua	Water pump pipe	Tube pompe eau	Leitung wasserpumpe	Tubo bomba agua
12	020.39.001.00.00	1		Tubo termostato inf. dx.	Thermostat hose R.H. lower	Tube interrupteur thermique inf. dr.	Thermostatschlauch unten rechts	Tubo termostato inf. der.
13	020.39.004.00.00	1		Tubo termostato-radiatore dx.	Thermostat-radiator hose R.H.	Tube interrupteur thermique-radiateur dr.	Kühler-Thermostat Schlauch rechts	Tubo termostato-radiador der.
14	020.39.003.00.00	1		Tubo termostato-radiatore sx.	Thermostat-radiator hose L.H.	Tube interrupteur thermique-radiateur g.	Kühler-Thermostat Schlauch links	Tubo termostato-radiador izq.
15	020.39.002.00.00	1		Tubo termostato inf. sx.	Thermostat hose L.H. lower	Tube interrupteur thermique inf. g	Thermostatschlauch unten links	Tubo termostato inf. izq.
16	020.39.015.00.00	1		Tubo sovrappressione	Overpressure hose	Tuyau surpression	Kühlerschlauch Überdruck	Tubo sobre presión
17	031.39.017.50.00	4		Vite speciale M3,5X18	Special screw M3,5X18	Vis spéciale M3,5X18	Spezialschraube M3,5X18	Tornillo especial M3,5X18
18	031.39.016.00.00	1		Coperchio termostato	Thermostat cover	Couvercle du thermostat	Thermostatabdeckung	Tapa del termostato
19	020.39.013.00.00	1		Termostato	Bimetal, thermostatic	Thérmostat	Thermostat	Termostato
20	10.66830.000	1		Anello or 32.2	O-Ring 32.2	Bague d' é tanché ité 32.2	O-Ring 32.2	Anillo OR 32.2
21	031.39.015.00.00	1		Contenitore termostato	Thermostat container	Logement interrupteur thermique	Rahmen Thermostatschlauch	Plástico termostato
22	031.39.014.80.00	1		Termostato completo	Thermostat, assy	Thermostat complet	Thermostat komplett	Termostato compl.
23	11.47015.000	4		Bullone M6x12	Bolt M6x12	Boulon M6x12	Bolzen M6x12	Tornillo M6x12
24	27.43250.000	4		Rondella 6x24	Washer 6x24	Rondelle 6x24	U.Scheibe 6x24	Arandela 6x24
25	16.34911.000	4		Gommino	Rubber buffer	Caoutchouc	Gummi	Goma
26	031.39.003.00.51	1		Coppia griglie radiatore	Pair radiator grills	Couple calandres	Kühlergrillpaar	Par rejas del radiador
27	031.46.024.82.00	1		Kit elettroventola	Electric fan kit	Jeu electro-ventilateur	Elektroluterradsatz	Kit electroventilador
28	020.40.007.00.00	1		Termointerruttore	Thermal switch	Thermo-régulateur	Umschalter	Interruptor térmico
29	14.01040.000	1		Elettroventola	Electric fan	Electro-ventilateur	Elektroluterrad	Electroventilador
30	18.01596.000	1		Impianto elettroventola	Electric fan system	Circuit electro-ventilateur	Anlage Elektroluterrad	Instalacion electroventilador
31	031.39.013.15.00	2		Supporto elettroventola	Heater fan support	Support electro-ventilateur	Halterung Elektroluterrad	Soporte electroventilador
32	C0716.005.00.00	3		Fascetta D.25	Clamp D.25	Collier D.25	Schelle D.25	Abrazadera D.25

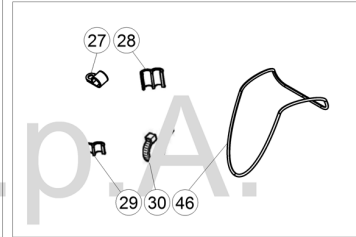
GR. COMPONENTI ELETTRICI/CABLAGGI



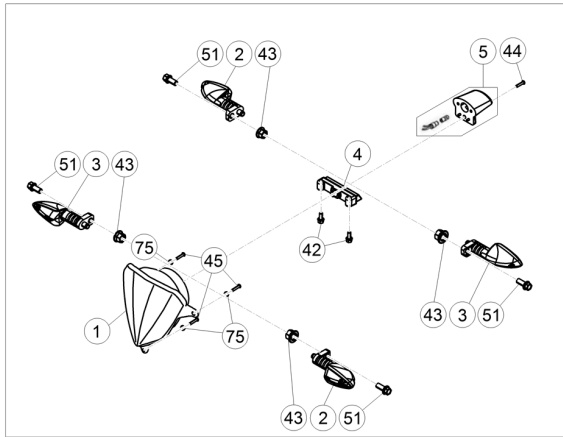
GR. AVV. ACUSTICO



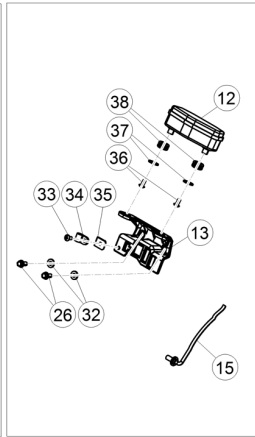
GR. ACCESSORI



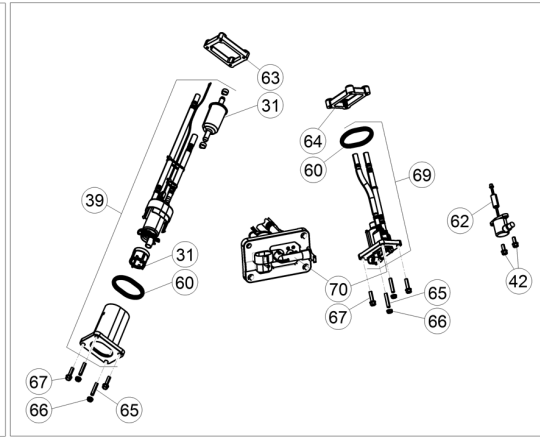
GR. LUCI/INDICATORI



GR. STRUMENTAZIONE



GR. POMPA CARBURANTE

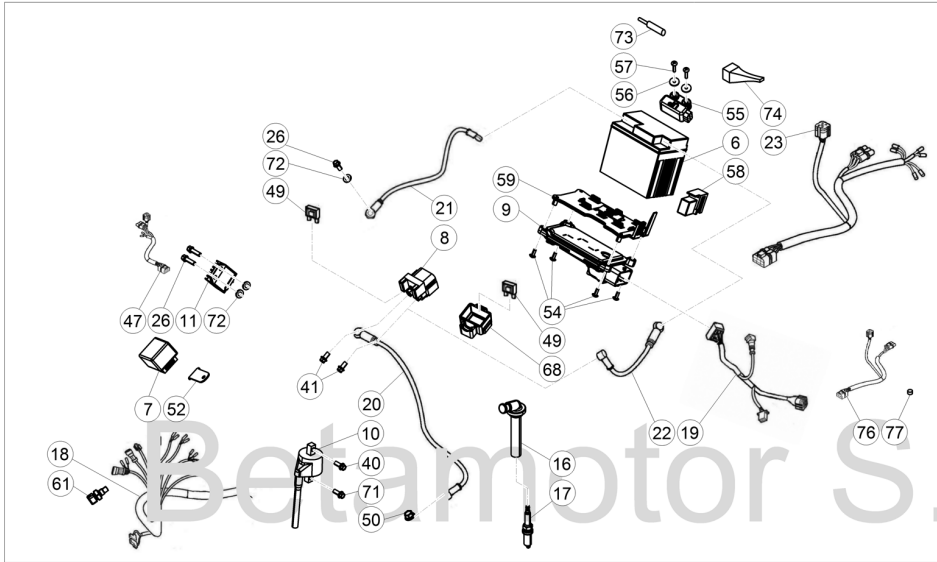


© Copyright 2018 Betamotor S.p.A.

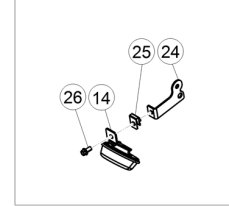
Tav.40

Pos Loc Pos Ps Pos	Numero Number Número Nummer	Q.tà Q.ty Q.té M.ge C.ad	Nota Note Nota Anm.	Descrizione	Description	Dé signation	Beschreibung	Descrìciò n
1	031.40.006.00.00	1		Gruppo ottico	Headlamp	Projecteur	Scheinwerfer	Faro del.
2	020.40.061.00.00	2	EU	Indicatore dir. ant. sx.-post. Dx	Turn signal L.H.front-R.H.rear	Clignotant av.g.-ar.dr.	Blink. Vorderer links-Hinterer rechts	Indicador del. izq.-tras. der.
3	020.40.060.00.00	2	EU	Indicatore dir. ant. dx.-post. Sx	Turn signal R.H.front-L.H.rear	Clignotant av.dr.-ar.g.	Blink.Vorderer rechts-Hinterer links	Indicador del. der.-tras. izq.
4	020.40.030.80.00	1		Fanalino posteriore a led	LED tail lamp	Feu AR. à diodes	LED-Rücklicht	Piloto a LED
5	020.40.020.00.00	1	EU	Luce Targa	Plate Illumination	Éclairage De Plaque	Kennzeichen-Beleuchtung	Iluminació n Placa
6	031.40.124.00.00	1		Batteria	Battery	Batterie	Batterie	Bateria
7	18.84948.000	1	EU	Intermittenza	Unit turn signal lamps	Disp. comm. clignot.	Blinkgeber	Disp. intermitentes
8	27.28471.000	1		Relais	Relay	Relais	Relay	Relé
9	031.40.015.10.00	1		Centralina digitale da programmare	Unprogrammed CDI unit	Bobine digital (C.D.I.) à programmer	Unprogrammierten CDI-Einheit	Centralita digital no programada
10	031.40.021.37.00	1		Bobina accensione	Ignition coil	Bobine allumage	Zuendspule	Bobina de encendido
11	031.40.025.37.00	1		Regolatore	Regulator	Régulateur	Regler	Regulador
12	031.40.073.00.00	1		Strumento digitale	Digital instrument	Instrument numérique	Digitalinstrument	Instrumento digital
13	031.40.011.00.00	1		Supporto strumento	Instrument holder	Support instruments	Instrumentenhalter	Soporte instrumentos
14	007.40.050.00.00	1		Avvisatore acustico	Warning horn	Avertisseur sonore	Hupe	Claxon
15	28.79013.000	1		Sensore REED	REED sensor	Sensor REED	Sensor	Sensor REED
16	006.10.055.00.00	1		Cappuccio candela	Spark plug cap	Capuchon/couvercle bougie	Zündkerzenkappe	Capuchón de la bujía
17	006.10.050.00.00	1		Candela M12X1,25	Spark plug M12X1,25	Bougie M12X1,25	Zündkerze M12X1,25	Bujía M12X1,25
18	031.40.086.00.00	1		Impianto elettrico servizi	Services electric system	Installation électrique services	Dienstleistungen elektrisches	Instalación eléctrica servicios
19	031.40.108.80.00	1		Impianto elettrico principale	Main electric system	Installation électrique principale	Elektrische anlage	Sistema eléctrico principal
20	031.40.038.00.00	1		Cavetto relè avviamento	Starter relay cable	Câble relais de démarrage	Anlassrelaiskabel	Cable relé de arranque
21	036.40.011.00.00	1		Cavetto di massa	Ground cable	Cable masse	Masse kabel	Cable masa
22	020.40.003.00.00	1		Cavo batteria-relè	Battery-Relay cable	Cable batterie-realis	Kabel Batterie-Relais	Cable Batería a-Relé
23	031.40.042.00.00	1		Impianto elettrico servizi posteriore	Rear services electric system	Installation électrique services post.	Dienstleistungen elektrisches hinten	Instalación eléctrica servicios tras.
24	28.97255.000	1		Staffa supporto avvisatore acustico	Horn support bracket	Bride support avertisseur	Hupebefestigung	Brida soporte claxon
25	25.60311.000	1	EU	Piastrina elastica M6	Spring plate M6	Plaquette élastique M6	Plättchen M6	Pletina elástica M6
26	11.47015.000	6		Bullone M6x12	Bolt M6x12	Boulon M6x12	Bolzen M6x12	Tornillo M6x12
27	15.14654.000	1		Fascetta	Clamp	Collier	Schelle	Abrazadera
28	25.24442.000	1		Passacavo 6/8	Fair lead 6/8	Passe-fils 6/8	Kabelführung 6/8	Pasa-cable 6/8
29	25.24443.000	3		Passacavo 6/6	Fair lead 6/6	Passe-fils 6/6	Kabelführung 6/6	Pasa-cable 6/6
30	15.14264.000	1		Fascetta	Clamp	Collier	Schelle	Abrazadera
31	031.40.043.82.00	1		Kit filtri pompa benzina	Fuel pump filters kit	Jeu filtres pompe carburant	Bausatz Benzinpumpenfilter	Kit filtros bomba gasolina
32	13.54820.000	2		Distanziale 6,5x9,0x13,5	Spacer 6,5x9,0x13,5	Entretoise 6,5x9,0x13,5	Distanzstück 6,5x9,0x13,5	Distanciadador 6,5x9,0x13,5
33	31.23530.000	1		Vite M4,2x16 TMTIC	Screw M4,2x16 TMTIC	Vis M4,2x16 TMTIC	Schraube M4,2x16 TMTIC	Tornillo M4,2x16 TMTIC
34	25.25182.000	1		Fascetta	Clamp	Collier	Schelle	Abrazadera
35	25.58090.000	1		Piastrina elastica	Spring plate	Plaquette élastique	Plättchen	Pletina elástica
36	31.26190.000	2		Vite M4x12 TCIC	Screw M4x12 TCIC	Vis M4x12 TCIC	Schraube M4x12 TCIC	Tornillo M4x12 TCIC
37	020.40.812.00.00	2		Distanziale 5x15	Spacer 5x15	Entretoise 5x15	Distanzstück 5x15	Distanciadador 5x15
38	031.40.013.00.00	2		Gommino	Rubber buffer	Caoutchouc	Gummi	Goma
39	031.40.048.82.00	1		Kit pompa carburante	Fuel pump kit	Jeu pompe carburant	Kit Benzinpumpe	Juego bomba gasolina
40	11.49070.000	1		Bullone 6x20 ch rs	Bolt 6x20 ch rs	Boulon 6x20 ch rs	Bolzen 6x20 ch rs	Tornillo 6x20 ch rs
41	31.30190.000	2		Vite a brugola 6x8	Allen screw 6x8	Vis à 6 pans 6x8	Sechskantschraube 6x8	Tornillo a llave allen 6x8
42	11.46251.000	4		Bullone flangiato M5x12	Head Flanged bolt M5x12	Boulon Bridé M5x12	Bundbolzen M5x12	Bulón con Brida M5x12
43	13.12550.000	4	EU	Dado flangiato M6	Flanged nut M6	Ecrou bordé M6	Flanschmutter M6	Tuerca embreadada M6
44	31.23565.000	1	EU	Vite 4,5x15 TCCCR	Screw 4,5x15 TCCCR	Vis 4,5x15 TCCCR	Schraube 4,5x15 TCCCR	Tornillo 4,5x15 TCCCR
45	31.26190.000	3		Vite M4x12 TCIC	Screw M4x12 TCIC	Vis M4x12 TCIC	Schraube M4x12 TCIC	Tornillo M4x12 TCIC
46	14.40020.000	1		Cinghia fiss. batteria	Battery sec. strap	Bande fix. batterie	Batteriebefestigung Riemen	Correja suj. batería
47	031.40.129.00.00	1		Impianto elettrico regolatore	Regulator wiring	Câblage régulateur	Regler Kabelbaum	Cableado regulador
49	020.40.006.00.00	6		Fusibile 10A	Fuse 10A	Fusible 10A	Sicherung 10A	Fusible 10A
50	13.12550.000	1		Dado flangiato M6	Flanged nut M6	Ecrou bordé M6	Flanschmutter M6	Tuerca embreadada M6
51	11.48025.000	4	EU	Bullone 6x16 ch 8 rs	Bolt 6x16 ch 8 rs	Boulon 6x16 ch 8 rs	Bolzen 6x16 ch 8 rs	Tornillo 6x16 ch 8 rs
52	031.40.002.22.00	1	EU	Piastrina per intermittenza	Plate (Flash device)	Plaque (Intermittence)	Platte (Blinkgeber)	Placa (Intermitencia)
54	31.23370.000	4		Vite M4x11 TTLIC	Screw M4x11 TTLIC	Vis M4x11 TTLIC	Schraube M4x11 TTLIC	Tornillo M4x11 TTLIC
55	031.40.017.00.00	1		Sensore antiribaltamento	Tilt sensor	Captur d'inclinaison	Neigungssensor	Sensor de inclinación
56	27.34800.000	2		Rondella grower 4x16	Grower washer 4x16	Rondelle Grower 4x16	Federring Grower 4x16	Arandela elástica Grower 4x16
57	31.23560.000	2		Vite autofilettata 4,2x25 TMTIC	4,2x25 TMTIC	4,2x25 TMTIC	4,2x25 TMTIC	4,2x25 TMTIC
58	031.40.039.00.00	1		Relè centralina	Electronic control unit relay	Relais unité de commande	Zündboxrelais	Relé centralita
59	031.40.016.10.00	1		Piastrina fissaggio centralina	ECU fastening plate	Plaquette de fix. unité de comm.	Befestigungsblech Zündbox	Placa sujeción centralita
60	031.40.044.82.00	1		Kit guarnizioni	Packings kit	Jeu joints	Dichtungensatz	Grupo juntas
61	029.13.004.00.00	1		Sensore temperatura	Temperature sensor	Captur de temperature	Wassertemperatursensor	Sensò r temperatura
62	031.40.014.00.00	1		Sonda segnalazione riserva	Low fuel sensor	Sonde niveau réserve	Sonde zur Reserveanzeige	Sonda señalación reserva
63	031.43.087.00.00	1		Piastra con gomma vulcanizzata	Plate with vulcanized rubber	Plaque avec caoutchouc vulcanisé	Platte mit Kautschukvulkanisat	Placa con goma vulcanizada

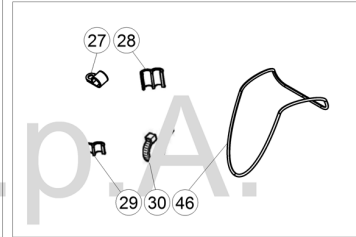
GR. COMPONENTI ELETTRICI/CABLAGGI



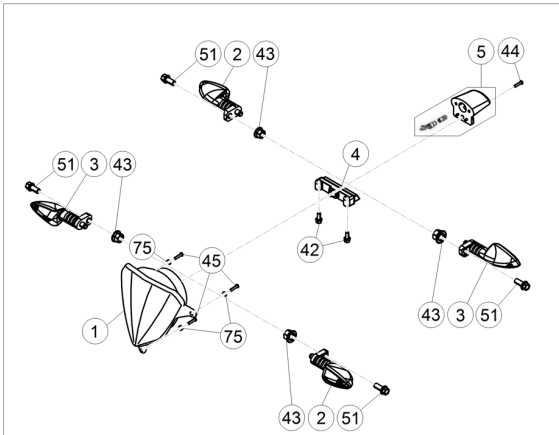
GR. AVV. ACUSTICO



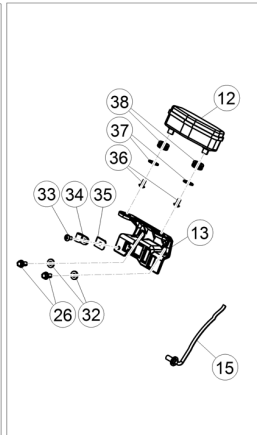
GR. ACCESSORI



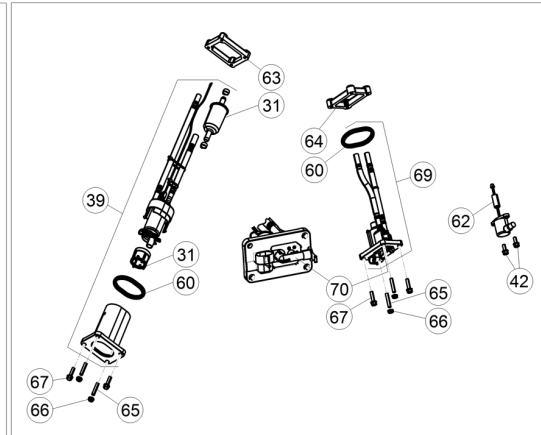
GR. LUCI/INDICATORI



GR. STRUMENTAZIONE



GR. POMPA CARBURANTE

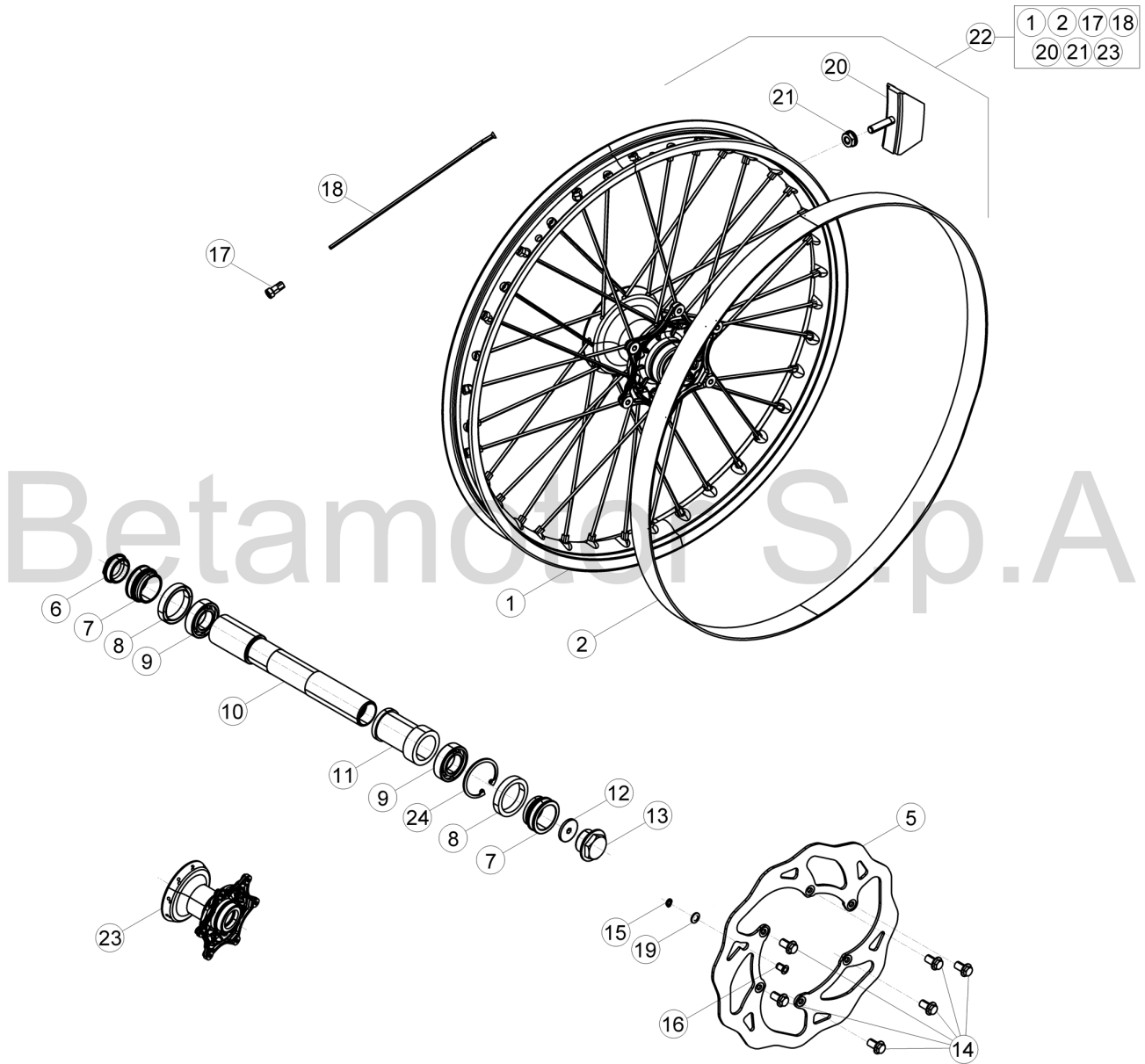


© Copyright 2018 Betamotor S.p.A.

Tav.40

Pos Loc Pos Ps Pos	Numero Number Número Nummer	Q.tà Q.ty Q.té M.ge C.ad	Nota Note Note Nota Anm.	Descrizione	Description	Désignation	Beschreibung	Descrìcion
64	031.43.090.00.00	1		Piastra con gomma vulcanizzata	Plate with vulcanized rubber	Plaque avec caoutchouc vulcanisé	Platte mit Kautschukvulkanisat	Placa con goma vulcanizada
65	C24.75.002.00.00	4		Prigioniero M5 L.22	Stud M5 L.22	Goujon M5 L.22	Stiftschraube M5 L.22	Espárrago M5 L.22
66	C24.07.013.00.00	4		Dado autobloccante flangiato M5	Self locking nut, flanged M5	Ecrou de sécurité bordé M5	Mutter, selbstsichernd M5	Tuerca de seguridad embreada M5
67	11.46401.000	4		Bullone M5x20	Bolt M5x20	Boulon M5x20	Bolzen M5x20	Tornillo M5x20
68	031.40.018.10.00	1		Elastico	Rubber band	Elastique	Gummiband	Elastico
69	031.40.045.82.00	1		Kit regolatore	Regulator kit	Jeu ré gulateur	Bausatz Regler	Juego regulador
70	031.40.049.82.00	1		Kit raccordo carburante	Fuel union kit	Jeu raccord carburant	Bausatz Anschluss Kraftstoffschlauch	Empalme carburante
71	11.50010.000	1		Bullone M6x25	Bolt M6x25	Boulon M6x25	Bolzen M6x25	Tornillo M6x25
72	27.40500.000	3		Rondella	Washer	Rondelle	U.Scheibe	Arandela
73	031.40.051.00.00	1		Condensatore	Condenser	Condensateur	Kondensator	Condensador
74	031.40.052.00.00	1		Gruppo diodi	Diode gr.	Groupe diodes	Diodeneinheit	Grupo diodos
75	27.34650.000	3		Rondella 4x9	Washer 4x9	Rondelle 4x9	U.Scheibe 4x9	Arandela 4x9
76	031.40.078.00.00	1	EU	Impianto diagnosi	Diagnosis system	Système de diagnostic	Diagnose- Anlage	Instalació n de diagnosis
77	031.40.074.00.00	1		Tappo	Plug	Bouchon	Verschluß System	Tapó n

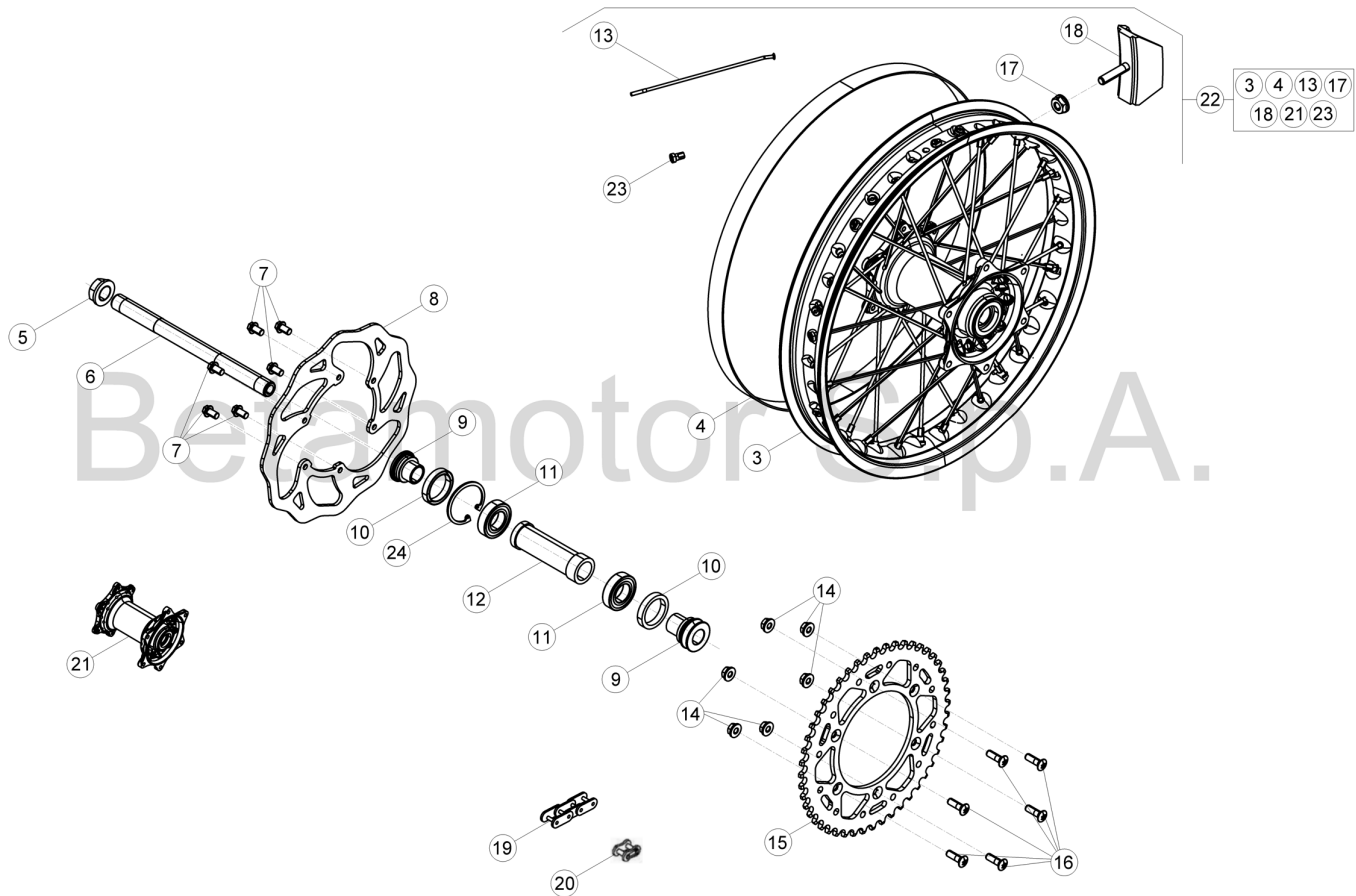
Tav.41



© Copyright 2016 Betamotor S.p.A.

Tav.41

Pos Loc Pos Ps Pos	Numero Number Numéro Nummer	Q.tà Q.ty Q.té M.ge C.ad	Nota Note Note Nota Anm.	Descrizione	Description	Dé signation	Beschreibung	Descrìpçì n
1	031.41.046.00.59	1		Cerchio anteriore 21x1,6	Front rim 21x1,6	Jante avant 21x1,6	Vorderfelge 21x1,6	Llanta delantera 21x1,6
2	15.38200.000	1		Flap 21x25	Bead 21x25	Flap21x25	Felgenband 21x25	Flap cinta tapa radios 21.25
5	031.41.030.00.00	1		Disco freno	Brake plate	Disque frein	Bremscheibe	Disco freno
6	020.41.007.00.00	1		Tappo perno ruota anteriore	Front wheel pin plug	Bouchon pivot roue avant	Stopfen Pin Vorrad	Tapón eje rueda anterior
6	026.41.002.00.00	1	RACING	Tappo perno ruota anteriore	Front wheel pin plug	Bouchon pivot roue avant	Stopfen Pin Vorrad	Tapon eje rueda anterior
7	031.41.004.00.00	2		Distanziale ant.	Front spacer	Entretoise AV.	Distanzstück vorderer	Distanziador del.
8	10.66000.000	2		Paraolio 35x47x7	Oil seal 35x47x7	Pare-huile 35x47x7	Dichtring 35x47x7	Sello de lub. 35x47x7
9	020.41.003.00.00	2		Cuscinetto 30x47x9	Bearing 30x47x9	Roulement 30x47x9	Lager 30x47x9	Cojinete 30x47x9
10	020.41.005.00.00	1		Perno ruota anteriore	Front wheel spindle	Pivot roue AV.	Vorderradzapfen	Perno ruoda delantera
11	031.41.015.00.00	1		Distanziale interno	Inner spacer	Entretoise interne	Inneres Distanzstück	Distanziador interior
12	020.41.110.00.00	1		Tappo interno perno ruota anteriore	Front wheel inside pin plug	Bouchon intérieur pivot roue avant	Innerhalb Stopfen Pin Vorrad	Tapón interior eje rueda anterior
13	020.41.006.00.00	1		Tappo filettato	Threaded plug	Bouchon fileté	Gewindepfropf	Tapón filete
14	031.41.016.00.00	6		Vite TEF M6x14	Screw TEF M6x14	Vis TEF M6x14	Schraube TEF M6x14	Tornillo TEF M6x14
15	28.22660.000	1		Seeger 9E	Circlip 9E	Circlip 9E	Seeger 9E	Seeger 9E
16	021.41.005.00.00	1		Magnete	Sensor magneto	Magneto capteur	Magnet für Sensor	Magneto sensor
17	031.41.050.00.00	36		Nipplo	Nipple	Ecrou	Nippel	Tuerca
18	031.41.049.00.52	36		Raggio	Spoke	Rayon	Speiche	Radio
19	27.58080.000	1		Rondella spessore	Shim	Rondelle entretoise	Ausgleichscheibe	Arandela suplemento
20	036.41.010.00.00	1		Fermacopertone	Tyre retainer	Arrêt	Felgenhalterung	Sujeta cobertura
21	13.17120.000	1		Dado M8 flangiato	Nut M8	Ecrou M8	Mutter M8	Tuerca M8
22	026.41.001.00.59	1		Ruota anteriore p/montata	Fr. wheel assy.	Roue AV. p/monte'	Vormontiertes Vorderrad	Rueda delantera montada
23	031.41.014.80.00	1		Mozzo anteriore c/cuscinetti	Front hub with ballbearing	Moyeu avant avec roulements	Nabe vo.	Buje ant.c/cojinetes
24	C01.26.001.00.00	1		Seeger 47x1,75	Circlip 47x1,75	Circlip 47x1,75	Seeger 47x1,75	Seeger 47x1,75



Particolari non figuranti
 25 26

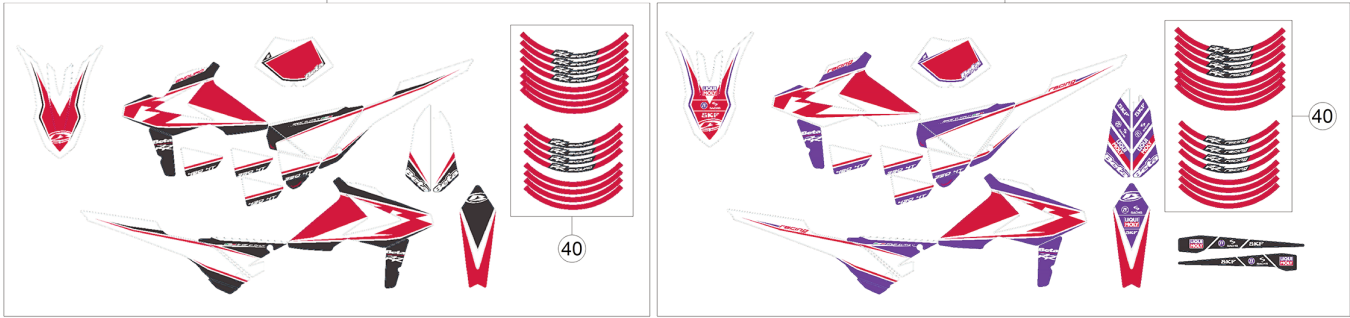
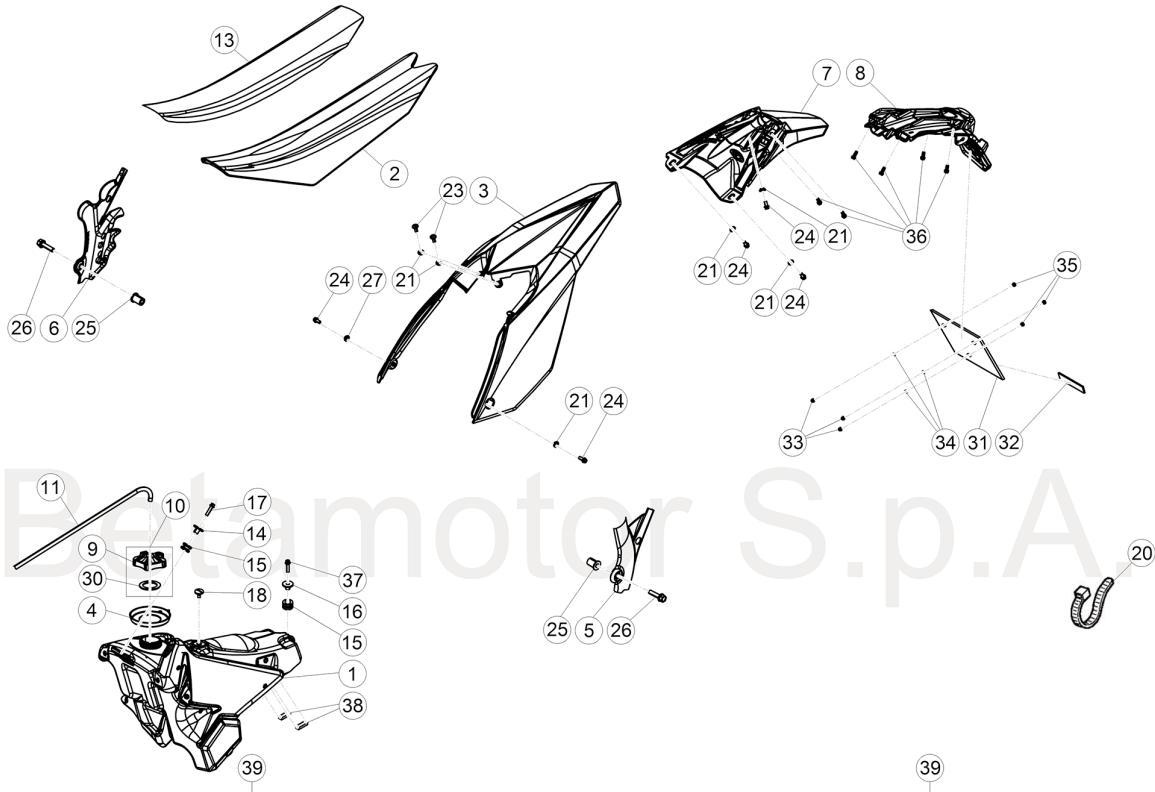
© Copyright 2016 Betamotor S.p.A.



Tav.42

Pos Loc Pos Ps Pos	Numero Number Numéro Nummer	Q.tà Q.ty Q.té M.ge C.ad	Nota Note Note Nota Anm.	Descrizione	Description	Dé signation	Beschreibung	Descrìciò n
3	031.42.034.00.59	1		Cerchio ruota posteriore	Rear wheel rim	Janta roue AR.	Hinterradfelge	Llanta rueda trasera
4	15.36000.000	1		Flap 17/18x25	Bead 17/18x25	Flap 17/18x25	Felgenband 17/18x25	Flap cinta tapa radios 17/18x25
5	13.27120.000	1		Dado speciale	Special nut	Ecrou spéciale	Spezialmutter	Tuerca especial
6	25.55812.000	1		Perno ruota posteriore	Rear wheel pin	Pivot roue arrière	Hinterradbolzen	Perno rueda trasera
7	031.41.016.00.00	6		Vite TEF M6x14	Screw TEF M6x14	Vis TEF M6x14	Schraube TEF M6x14	Tornillo TEF M6x14
8	031.42.030.00.00	1		Disco freno posteriore	Rear brake disk	Disque frein arrière	Hinterbrems Scheibe	Disco freno trasero
9	031.42.002.00.00	2		Distanziale mozzo post. Dx	RH rear hub spacer	Entretoise moyeu arrière D.	Distanz li	Distanciadior buje tras. Der.
10	10.66000.000	2		Paraolio 35x47x7	Oil seal 35x47x7	Pare-huile 35x47x7	Dichtring 35x47x7	Sello de lub. 35x47x7
11	020.42.004.00.00	2		Cuscinetto 25x47x12	Bearing 25x47x12	Roulement 25x47x12	Lager 25x47x12	Cojinete 25x47x12
12	031.42.005.00.00	1		Distanziale interno	Inner spacer	Entretoise interne	Innere Distanzstück	Distanciadior interior
13	031.42.037.00.52	36		Raggio ruota post.	Spoke	Bras	Speiche	Radio
14	13.17123.000	6		Dado TECF M8	Nut TECF M8	Ecrou TECF M8	Mutter TECF M8	Tuerca TECF M8
15	031.42.039.00.00	1	350cc	Corona Z50	Ring gear Z50	Couronne Z50	Zahnkranz Z50	Corona Z50
15	031.42.047.00.00	1	350RACING	Corona Z50	Ring gear Z50	Couronne Z50	Zahnkranz Z50	Corona Z50
15	026.42.005.00.00	1	390cc	Corona Z49	Ring gear Z49	Couronne Z49	Zahnkranz Z49	Corona Z49
15	026.42.007.00.00	1	390RACING	Corona Z49	Ring gear Z49	Couronne Z49	Zahnkranz Z49	Corona Z49
15	031.42.038.00.00	1	430-480cc	Corona Z48	Ring gear Z48	Couronne Z48	Zahnkranz Z48	Corona Z48
15	031.42.046.00.00	1	430RACING	Corona Z48	Ring gear Z48	Couronne Z48	Zahnkranz Z48	Corona Z48
16	31.96827.000	6		Vite speciale M8X26	Special screw M8X26	Vis spéciale M8X26	Spezialschraube M8X26	Tornillo especial M8X26
17	13.17120.000	1		Dado M8 flangiato	Nut M8	Ecrou M8	Mutter M8	Tuerca M8
18	036.42.009.00.00	1		Fermacapertone	Tire fastener	Caoutchouc serrure chambre	Reifen Halter	Agarre cubierta ant.
19	031.42.003.00.00	1	350-390cc	Catena P114	Chain P114	Chaî ne P114	Kette P114	Cadena P114
19	031.42.004.00.00	1	430-480cc	Catena P112	Chain P112	Chaî ne P112	Kette P112	Cadena P112
20	031.42.008.00.00	1		Maglia congiunzione 5/8x1/4	Connecting link 5/8x1/4	Maillon jonction 5/8x1/4	Kettenschloss 5/8x1/4	Enganche cadena 5/8x1/4
21	031.42.014.80.00	1		Mozzo posteriore c/cuscinetti	Rear hub with ballbearing	Moyeu arrière avec roulements	Hinterrad Nabe	Buje del. c/cojinetes
22	026.42.008.00.59	1		Ruota posteriore p/montata	Front wheel assy.	Roue arriere p/monie'	Vormontiertes hinterrad	Rueda trasera montada
23	031.42.051.00.00	36		Nipplo	Nipple	Ecrou	Nippel	Tuerca
24	C01.26.001.00.00	1		Seeger 47x1,75	Circlip 47x1,75	Circlip 47x1,75	Seeger 47x1,75	Seeger 47x1,75
25	12.08204.000	1	EU350cc EU390cc	Catena 5/8 1/4 P112	Chain 5/8 1/4 P112	Chaî ne 5/8 1/4 P112	Kette 5/8 1/4 P112	Cadena 5/8 1/4 P112
26	031.42.028.00.00	1	EU	Corona Z45	Ring gear Z45	Couronne Z45	Zahnkranz Z45	Corona Z45

Tav.43

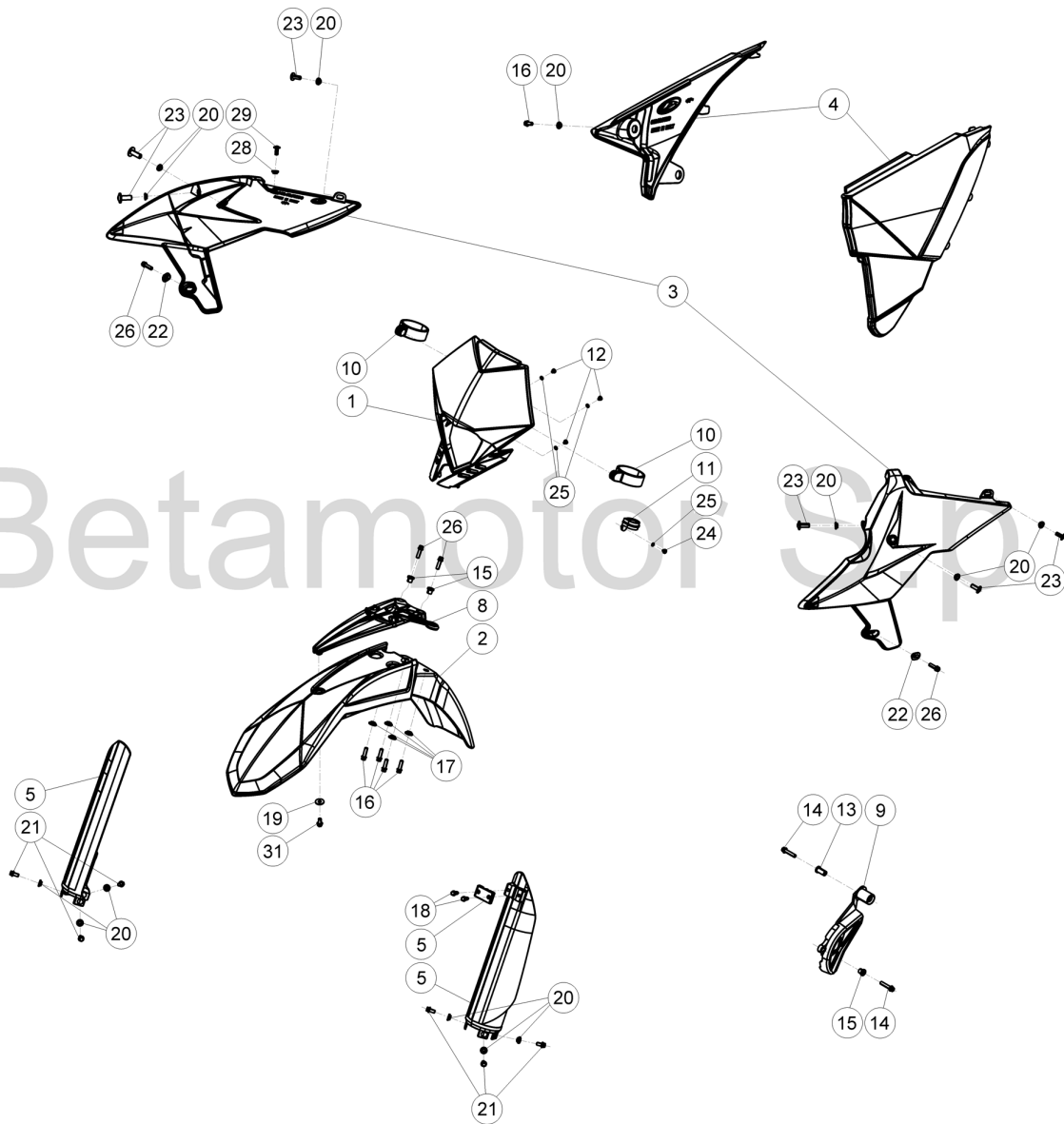


© Copyright 2018 Betamotor S.p.A.



Tav.43

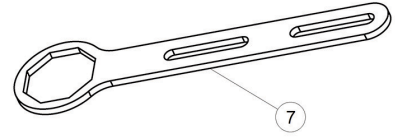
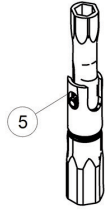
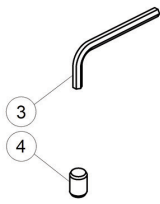
Pos Loc Pos Ps Pos	Numero Number Numéro Número Nummer	Q.tà Q.ty Q.té M.ge C.ad	Nota Note Note Nota Anm.	Descrizione	Description	Dé signation	Beschreibung	Descriscìo n
1	031.43.139.00.51	1		Serbatoio benzina	Fuel tank	Reservoir carb.	Kraftstofftank	Dep. carburante
2	031.43.143.00.00	1		Sella	Seat	Siege	Sattel	Sillin
2	031.43.063.00.00	1	RACING	Sella	Seat	Siege	Sattel	Sillin
3	026.43.033.00.51	1		Parafango posteriore	Rear mudguard	Garde-boue AR.	Hinterradkotflügel	Guardabarros tras.
4	026.43.029.00.00	1	EU	Anello	Ring	Bague	Ring	Anillo
5	020.43.060.10.59	1		Protezione telaio Sx	L.H. frame guard	Protection chassis G.	Rahmenschutz Links	Proteccìo n bastidor izquierda
6	020.43.061.10.59	1		Protezione telaio Dx	R.H. frame guard	Protection chassis D.	Rahmenschutz Rechts	Proteccìo n bastidor derecha
7	036.43.006.10.59	1		Portatarga	Plate holder	Porte-plaque	Kennzeichenträger	Porta matr.
8	020.43.034.10.59	1	EU	Portatarga	Plate holder	Porte-plaque	Kennzeichenträger	Porta matr.
9	036.43.041.80.00	1		Tappo serbatoio	Filler cap	Bouchon de ré servoir	Tankverschluss	Tapó n depó sito
10	036.43.041.82.00	1		Tappo serbatoio completo	Filler cap completo	Bouchon de ré servoir complet	Tankverschluss kpl.	Tapó n depó sito completo
11	021.43.006.00.00	1		Tubo sfiato serbatoio	Reservoir breather pipe	Tuyau reniflard ré servoir	Schlauch entlüftungsventil	Tabo alivio depó sito
13	031.43.144.00.00	1		Copertura sella	Saddle cover	Hous. de selle	Abdeckung	Cubierta sillin
13	031.43.064.00.00	1	RACING	Copertura sella	Saddle cover	Hous. de selle	Abdeckung	Cubierta sillin
14	020.43.002.00.00	1		Distanziale serbatoio benzina	Fuel tank spacer	Entretoise ré servoir carburant	Distanz Benzintank	Distanciadór depó sito gasolina
15	28.91946.000	2		Silentbloc	Silentbloc	Silentbloc	Puffer	Silent-block
16	031.43.002.00.00	1		Distanziale	Spacer	Entretoise	Distanzstü ck	Distanciadór
17	11.50010.000	1		Bullone M6x25	Bolt M6x25	Boulon M6x25	Bolzen M6x25	Tornillo M6x25
18	31.89010.000	1		Vite spec. bloccaggio sella	Seat locking screw	Vis blocage selle	Schraube	Tornillo bloqueo sillin
20	15.14264.000	1		Fascetta	Clamp	Collier	Schelle	Abrazadera
21	13.54820.000	6		Distanziale 6,5x9,0x13,5	Spacer 6,5x9,0x13,5	Entretoise 6,5x9,0x13,5	Distanzstü ck 6,5x9,0x13,5	Distanciadór 6,5x9,0x13,5
23	31.95510.000	2		Vite TBCE M6x12	Screw TBCE M6x12	Vis TBCE M6x12	Schraube TBCE M6x12	Tornillo TBCE M6x12
24	11.48025.000	5		Bullone 6x16 ch 8 rs	Bolt 6x16 ch 8 rs	Boulon 6x16 ch 8 rs	Bolzen 6x16 ch 8 rs	Tornillo 6x16 ch 8 rs
25	27.33740.000	2		Rivetto filettato M6	Threaded rivet M6	Rivet fileté M6	Niete mit gewinde M6	Remache roscado M6
26	11.49070.000	2		Bullone 6x20 ch rs	Bolt 6x20 ch rs	Boulon 6x20 ch rs	Bolzen 6x20 ch rs	Tornillo 6x20 ch rs
27	13.62000.000	1		Distanziale	Spacer	Entretoise	Distanzstü ck	Distanciadór
30	031.43.116.00.00	1		Guarnizione tappo	Packing for cap	Joint bouchon	Deckeldichtung	Junta tapó n
31	018.43.010.10.59	1	EU	Supporto targa	Plate holder bracket	Support porte-plaque	Halter Kennzeichenträger	Soporte porta matr.
32	12.33086.000	1	EU	Catadiottro posteriore	Rear reflector	Catadioptré AR.	Rückstrahler hinten	Catafaro tras.
33	13.11010.000	3	EU	Dado autobloccante M5	Self locking nut M5	Ecrou de sé curité M5	Mutter, selbstsichernd M5	Tuerca de seguridad M5
34	27.36000.000	3	EU	Rondella 5x11	Washer 5x11	Rondelle 5x11	U.Scheibe 5x11	Arandela 5x11
35	31.29860.000	3	EU	Vite M5x16 TTLIC	Screw M5x16 TTLIC	Vis M5x16 TTLIC	Schraube M5x16 TTLIC	Tornillo M5x16 TTLIC
36	31.79960.000	6	EU	Vite autofilettante M6x15	Self tapping screw M6x15	Vis taraud M6x15	Schraube, Blech M6x15	Tornillo autorrosc. M6x15
37	11.50300.000	1		Bullone 6x30 ch rs	Bolt 6x30 ch rs	Boulon 6x30 ch rs	Bolzen 6x30 ch rs	Tornillo 6x30 ch rs
38	031.43.004.82.00	2		Tampone serbatoio	Tank buffer	Silentbloc ré servoir	Puffer tank	Silent-block deposito
39	031.43.164.82.00	1		Decalco serie completa	Transfer set	Sé rie Dé calcomanie	Serie Abziehbild	Seire Calcomaní as
39	031.43.166.82.00	1	RACING	Decalco serie completa	Transfer set	Sé rie Dé calcomanie	Serie Abziehbild	Seire Calcomaní as
40	031.43.154.00.00	1		Decalco cerchi	Trimmings kit for rims	Jeu enjoliv. jantes	Abziehbildsatz Felgen	Juego calcom. llantas
40	031.43.156.00.00	1	RACING	Decalco cerchi	Rims stickers	Dé calcomanie jantes	Abziehbild Felgen	Calcomaní as llantas



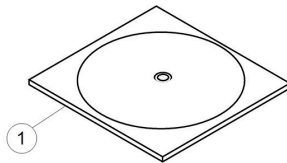
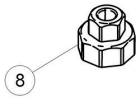
© Copyright 2017 Betamotor S.p.A.

Tav.43A

Pos Loc Pos Ps Pos	Numero Number Número Nummer	Q.tà Q.ty Q.té M.ge C.ad	Nota Note Note Nota Anm.	Descrizione	Description	Dé signation	Beschreibung	Descripció n
1	020.43.015.00.51	1		Mascherina	Mask	Masque	Maske	Máscara
2	031.43.034.10.51	1		Parafango anteriore	Front mudguard	Garde -boue avant	Vorderer Kofflü gel	Guardabarras delantero
3	031.43.140.00.51	1		Fianchetti serbatoio	Tank panels	Panneaux laterales	Benzintankseiten	Flancos
4	026.43.021.00.51	1		Coppia fianchetti scatola filtro	Airbox panels, pair	Couple cotes laterales boî tier filtre à air	Lufffiltergehä useseiten	Flancos caja filtro aire
5	026.45.113.82.51	1		Protezione stelo - kit	Tube protection - kit	Protection tube - jeu	Abdeckung Gabelschlauch - Kit	Protecció nes tubo horquilla-juego
8	020.43.141.10.59	1		Supporto parafango	Fender stay	Appui aile	Koffluegelstuetze	Soporte de guardabarras
9	020.43.062.10.59	1		Coperchio pignone	Sprocket cover	Couvercle pignon	Deckel Ritzel	Tapa piñ ó n
10	14.40081.000	2		Elastico fissaggio mascherina	Headlight holder elastic rubber	Elastique de fixation cache phare	Befestigungsband Lichtschildchen	Elastico
11	25.24464.000	1		Passacavo	Grommet	Passe-câ ble	Kabeldurchgang	Pasacables
12	31.26190.000	3		Vite M4x12 TCIC	Screw M4x12 TCIC	Vis M4x12 TCIC	Schraube M4x12 TCIC	Tornillo M4x12 TCIC
13	13.49189.000	1		Distanziale	Spacer	Entretoise	Distanzstü ck	Distanciador
14	11.50300.000	2		Bullone 6x30 ch rs	Bolt 6x30 ch rs	Boulon 6x30 ch rs	Bolzen 6x30 ch rs	Tornillo 6x30 ch rs
15	13.49190.000	3		Distanziale 10mm	Spacer 10mm	Entretoise 10mm	Distanzstü ck 10mm	Distanciador 10mm
16	11.48025.000	5		Bullone 6x16 ch 8 rs	Bolt 6x16 ch 8 rs	Boulon 6x16 ch 8 rs	Bolzen 6x16 ch 8 rs	Tornillo 6x16 ch 8 rs
17	13.54841.000	4		Distanziale	Spacer	Entretoise	Distanzstü ck	Distanciador
18	31.79960.000	2		Vite autofilettante M6x15	Self tapping screw M6x15	Vis taraud M6x15	Schraube, Blech M6x15	Tornillo autorrosc. M6x15
19	27.74786.000	1		Rondella	Washer	Rondelle	U.Scheibe	Arandela
20	13.54820.000	13		Distanziale 6,5x9,0x13,5	Spacer 6,5x9,0x13,5	Entretoise 6,5x9,0x13,5	Distanzstü ck 6,5x9,0x13,5	Distanciador 6,5x9,0x13,5
21	11.47015.000	6		Bullone M6x10	Bolt M6x10	Boulon M6x10	Bolzen M6x10	Tornillo M6x10
22	020.43.012.00.00	2		Distanziale	Spacer	Entretoise	Distanzstü ck	Distanciador
23	31.95510.000	6		Vite TBCE M6x12	Screw TBCE M6x12	Vis TBCE M6x12	Schraube TBCE M6x12	Tornillo TBCE M6x12
24	31.23360.000	1		Vite autofilettante 4x10	Self tapping screw 4x10	Vis taraud 4x10	Schraube, Blech 4x10	Tornillo autorrosc. 4x10
25	27.34650.000	4		Rondella	Washer	Rondelle	U.Scheibe	Arandela
26	11.49070.000	4		Bullone 6x20 ch rs	Bolt 6x20 ch rs	Boulon 6x20 ch rs	Bolzen 6x20 ch rs	Tornillo 6x20 ch rs
28	13.62000.000	1		Distanziale	Spacer	Entretoise	Distanzstü ck	Distanciador
29	31.30035.000	1		Bullone M6x25 TBCEI	Bolt M6x25 TBCEI	Boulon M6x25 TBCEI	Bolzen M6x25 TBCEI	Tornillo M6x25 TBCEI
31	11.46501.000	1		Bullone M6x10	Bolt M6x10	Boulon M6x10	Bolzen M6x10	Tornillo M6x10



Betamotor S.p.A.



© Copyright 2016 Betamotor S.p.A.

Pos Loc Pos Ps Pos	Numero Number Numéro Número Nummer	Q.tà Q.ty Q.té M.ge C.ad	Nota Note Note Nota Anm.	Descrizione	Description	Dé signation	Beschreibung	Descripció n
1	031.44.052.00.00	1		CD Manuale uso e manutenzione	Owner' s manual CD	CD Manuel d' utilisation et entretien	CD Bedienungs und Wartungshandbuch	CD Manual de Uso y Manutención
2	020.44.202.80.00	1		Borsa attrezzi	Tool roll	Trousse à outils	Werkzeugtasche	Bolsa herramientas
3	020.44.003.00.00	1		Chiave a brugola 6mm	Allen wrench 6mm	Clé Allen 6mm	Sechskantschlüssel 6mm	Llave de imbus 6mm
4	020.44.004.00.00	1		Bussola 8	Bush 8	Joint 8	Buchse 8	Buje 8
5	020.44.010.00.00	1		Chiave candela	Ignition wrench	Clé à bougie	Zündkerzenschlüssel	Llave buja
6	031.44.016.82.00	1		Strumento diagnostica	Check instrument	Instrument de diagnostic	Diagnose-Instrument	Instrumento de diagnosis
7	031.44.034.00.00	1		Utensile tappo forcella	Fork cap tool	Outil bouchon fourche	Werkzeug Verschluss Gabel	Herramienta tapon horquilla
8	031.44.033.00.00	1	RACING	Utensile valvola forcella	Fork valve tool	Outil soupape fourche	Werkzeug Ventil Gabel	Herramienta válvula horquilla





WANT MORE?

Accessories, images, news, &
more can be found at:

WWW.BETAUSA.COM

Rideability